

Cable hives are an alternative to floor boxes & slab boxes for taking underfloor power to under desk level. They offer an ideal solution for a fast, simple and unobtrusive installation. Easy to install and relocate if necessary, cable hives are ideal for use with our conti connect power module, perfect for any office power requirements.

Split Lid Option

Integral foam inserts for secure cable grip

Reversible Centre Lid

With retention cable

Hive Colour

Polycarbonate ABS Grey - RAL7031 (other colours available - minimum quantity requirements)



Simple Access

- Simple 'push fit' for fast installation
- Unique self latching mechanism

Lid Variations

- Accept up to 2 x 40mm flexible conduits. See table on page 41
- Maximum data cable access
- Soft & hard foam available

Interlocking Clamp Top

- Added security

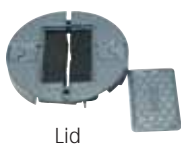
Features:

- Installed in less than 5 seconds – removed in less than 10 seconds (No tools required for fitting)
- Available in 127mm and 210mm (Outside diameter: 140mm and 225mm) Grey (RAL7031) for flexibility of use
- Quality, reliability and safety come as standard
- Self closing lifting handles
- Manufactured from polycarbonate – ABS in standard grey (RAL7031)
- Discreet automatic closing handles facilitate clamp lifting and retention
- Fasteners will work on carpet and panel thickness of 5mm and upwards
- Panel cut out diameter: 127mm and 210mm

standard cable hive (127mm hole)

standard cable hive

Standard Cable Hive



Code	Height	Description
PPH261G	40mm	Standard Cable Hive

Cleaner's Hive



Code	Height	Description
PPH263G	76mm	Standard Cleaners Hive
PPH263XG	76mm	Cleaners Hive (Switched Metal Clad Socket)
PPH263NG	76mm	Cleaners Hive (Non-Standard Unswitched Socket)
PPH263G/RCD/A	120mm	Angled Standard RCD Cleaners Hive NEW

Standard Access Hive

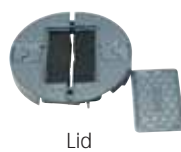


Code	Height	Description
PPH264G	40mm	Standard Access Cable Hive

Standard Power Hive

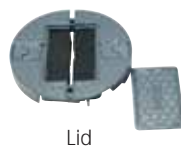


NEW & IMPROVED



Code	Height	Description
PPH265G	93mm	Standard Power Cable Hive

Standard 2 Way Data Hive



Code	Height	Description
PDH265G/245	93mm	Standard 2 Way Data Hive

Large Cable Hive



Lid



Body



Cable Hive Complete

Code	Height	Description
PPG211G	40mm	Large Cable Hive

Large Power Hive



Lid



Body



2 x 13A switched sockets



Power Hive Complete

Code	Height	Description
PPG212G	107mm	Large Power Cable Hive 2 x socket
PPG212G/RCD	107mm	RCD Large Power Cable Hive 2 x socket

Large Data Hive



Lid



Body



4 x RJ45 cut-outs



Data Hive Complete

Code	Height	Description
PPG214G	107mm	Large Data Hive c/w data box for 4 x RJ45

Large Power & Data Hive



Lid



Body



2 x 13A switched,
4 x RJ45 cut-outs



Power/ Data Hive
Complete

Code	Height	Description
PPG215G	107mm	Large Power/Data Hive 2 x socket & 4 x RJ45
PPG215G/RCD	107mm	Large Power/Data Hive 2 x socket (RCD) & 4 x RJ45

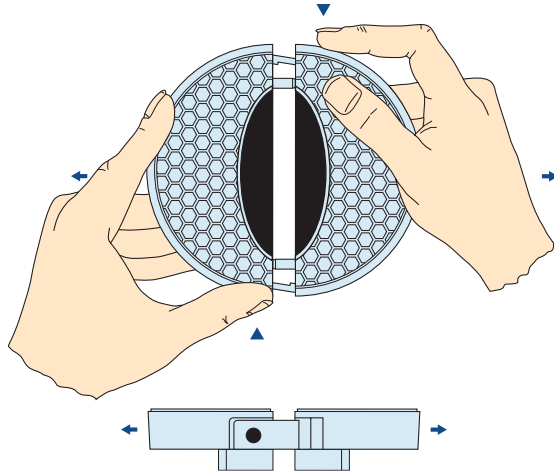
Cable Hive Features (Standard & Large) :

- Installed in less than 5 seconds – removed in less than 10 seconds (No tools required for fitting)
- Available in 127mm & 210mm (Outside diameter: 140mm & 225mm) Grey (RAL7031) for flexibility of use
- Quality, reliability and safety come as standard
- Self closing lifting handles
- Manufactured from polycarbonate – ABS in standard grey (RAL7031)
- Discreet automatic closing handles facilitate clamp lifting and retention
- Fasteners will work on carpet and panel thickness of 5mm and upwards
- Panel cut out diameter: 127mm & 210mm

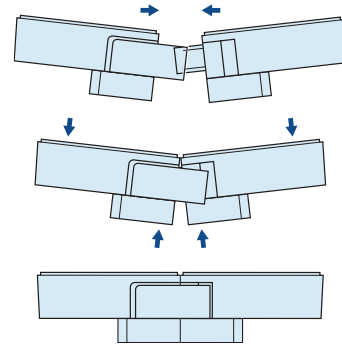
Instructions

Cable Hives (127mm & 210mm)

To release
Gently squeeze interlocking lugs.

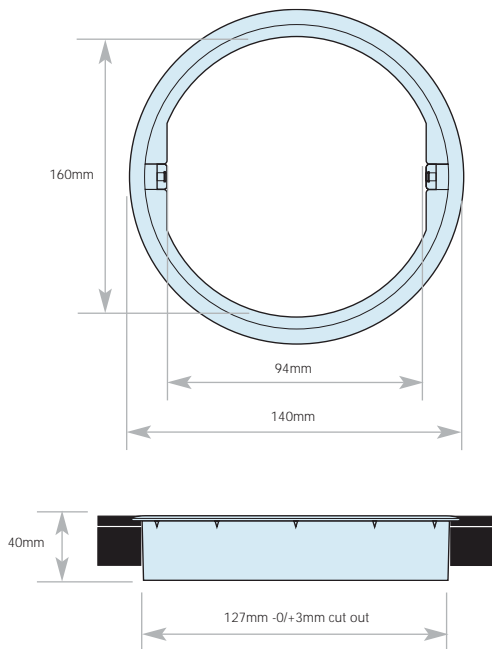


To assemble
Tilt upwards and locate interlocking lugs. Click into place.

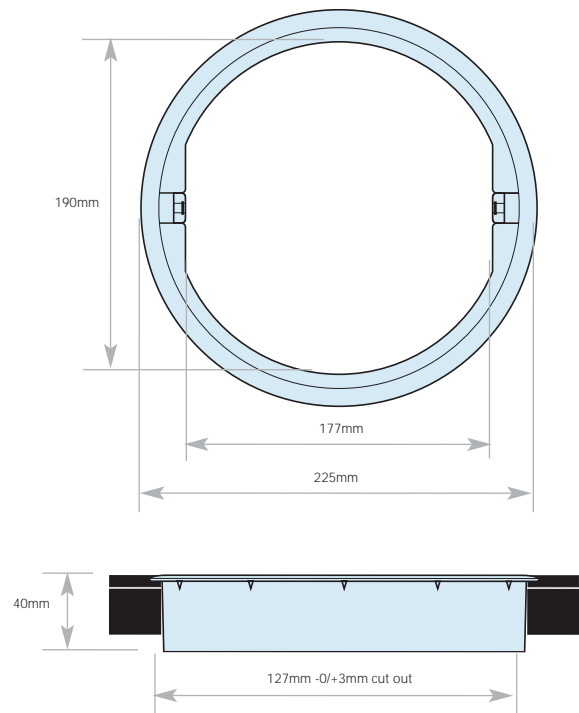


Dimensions

Standard Cable Hive (127mm)



Large Cable Hive (210mm)



Maximum number of conduits accepted when lid is in place

STANDARD CABLE HIVE (127mm)		LARGE CABLE HIVE (210mm)	
PPH261G (Hard Foam)	PPHC261G (Soft Foam)	PPG211G (Hard Foam)	PPGC211G (Soft Foam)
4 x 16mm	8 x 16mm	10 x 16mm	16 x 16mm
3 x 20mm	3 x 20mm	6 x 20mm	9 x 20mm
2 x 25mm	3 x 25mm	3 x 25mm	5 x 25mm
1 x 32mm	2 x 32mm	3 x 32mm	3 x 32mm

Look down & see what's new...

Available in 2 sizes
127mm & 210mm diameters

NEW & IMPROVED
127mm Power Hive



Reversible Centre Lid

6mm carpet cut out for improved installation aesthetics

Centre Lid Retainer

For added security.
Eliminates lid losses

Hive Colour

Grey - RAL7031
(Other colours available)

Power Sockets

Provide strain relief clearance for moulded plugs



Back Box

35mm back box pre-fitted for ease of installation

Screw Operated Fixing Latches

Fast and simple installation with secure fixing guaranteed



Power Sockets



RJ45 Cutouts

NEW & IMPROVED



35mm reduced in depth

Accommodates majority of raised tiles

angled standard RCD cleaners hive

The new & improved standard RCD Cleaners Hive has been designed to allow the fitment of moulded 13A plug tops with strain relief without stressing the flex hence its new angled design. Designed to power 230V vacuum cleaners.

Features:

- More robust
- 35mm reduction in overall depth
- Improved user functionality
- Accommodates majority of raised tiles