

Freedom... to move!

Cygnus is a flat screen monitor arm featuring a unique blend of innovative engineering and contemporary styling. It offers all the benefits you would expect of a premium adjustable gas lift arm with the added benefit of an extensive range of useful features to further enhance its function making life in a busy working office more comfortable & aesthetically pleasing.



key features

- A versatile and easy to use arm
- An integral gas strut counterbalances the weight of the screen allowing fingertip adjustment to the desired working position
- The arm mechanism ensures the screen remains vertical throughout any adjustment
- The dual-position forearm can be set at 15 degree or 45 degree positions to extend the operational range of the arm
- The arm can fold flat into 80mm of space
- The tilt & rotate head features a quick-release mechanism with a locking feature as standard, permitting quick and easy monitor detachment
- Arms are supplied with an industry-standard VESA 75 / 100 adaptor plate for attachment of monitors
- The arm features an integral cable management system
- Includes standard desk mount kit suitable for desk edge or through desk mounting
- Suitable for screen weights up to 14kg
- FIRA Ergonomics Excellence Award Winner
- Product weight 5kg

Holds up to 10kg

code	colour
68F017	silver
68F120	black
68F031	white

Holds up to 14kg

code	colour
80K152	silver
68F121	black
68F143	white

MOUNTING KITS INCLUDED

Black

Silver

White

Please be aware there are applicable lower weight limits
 – 3kg and 8kg respectively for the up to 10kg and up to 14kg Cygnus monitor arms.

cygnus™ flat screen arm

cygnus™ flat screen arm

cygnus™ flat screen arm

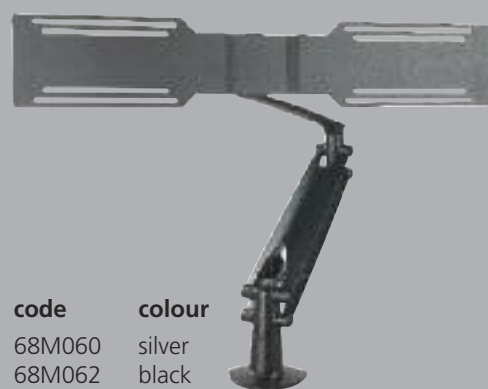
non-clashing nesting



folding flat



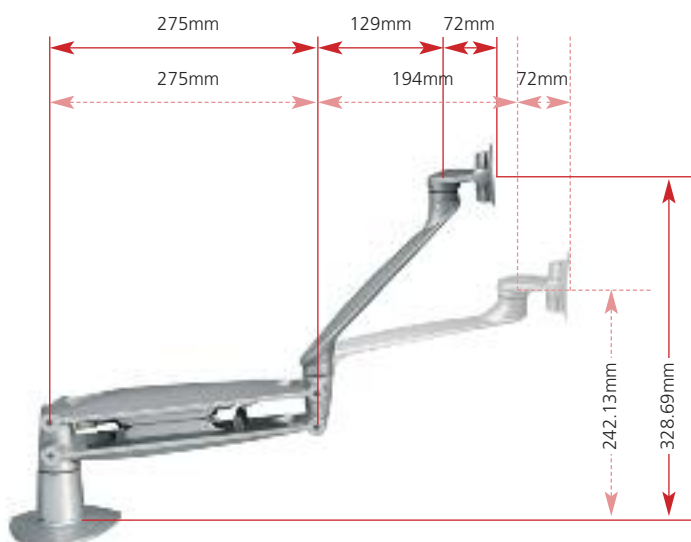
razor mount



code	colour
68M060	silver
68M062	black
68M063	white

maximum weight of each screen is 6kg

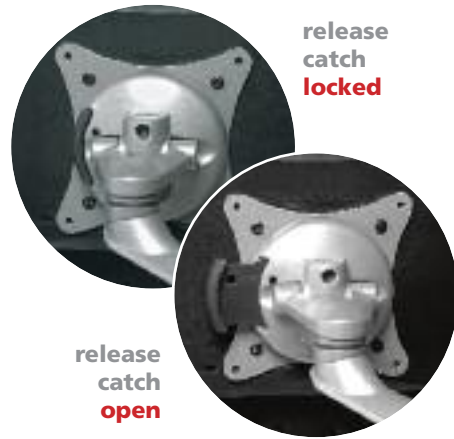
Double head mount designed to hold two screens on one Cygnus Arm must be used inconjunction with 80K152, 68F121 & 68F143.



- The forearm of Cygnus offers the facility to be repositioned from its pre-set angle of 15° to an angle of 45°. This is a simple adjustment requiring no additional parts
- The dual-position forearm extends the operational range of Cygnus and also offers the opportunity to tailor the articulation of the arm for desk mounting or for screen and slatwall mounting applications



rotate screen to landscape or portrait format



release catch
locked

release catch
open



lift off mount

key features

- A quick-release monitor mount is a standard feature of the Cygnus arm
- A simple release catch permits quick and easy monitor detachment for rapid swap-out
- Bespoke mounting options/brackets to suit any type of tool rail or furniture available on request

Standard Mounting Kit

The standard desk-mount kit includes all necessary parts to permit a clamp-mount to the edge of the worktop, or a bolt-through mount via a drilled hole.



80mm Grommet Mount for Cygnus Arm

To fit a 80mm desk grommet as an alternative fixing option to through the desk or c clamp, the 80mm grommet mounting kit is available.

code	description
440324	silver
440326	black
440325	white



Universal Slatwall Monitor Arm Bracket

This universal slatwall bracket allows the Cygnus arm to be fixed to a slatwall partition. Ideal for when desk space is at a premium as it removes any requirement for fixing to the desk.

code	colour
440269	silver - bracket only





The Apple logo is a registered trademark of Apple Inc., registered in the U.S. and other countries.

Apple Mac... ..no problem

Apple VESA Display Mount for Cinema, Cinema HD & LED Cinema Display for Cygnus Monitor Arms

Apple VESA Display Cinema & Cinema HD Display

The Apple VESA Mount Adapter Kit allows your Apple flat panel display (anodized aluminium) to be used with a variety of alternate mounting solutions such as our Cygnus Monitor Arm based on the VESA flat panel mounting interface (FPMI).

Apple Cinema Monitor Specifications:

20" monitor = 6kg,
24" monitor = 9.5kg

and Up-Rated Cygnus for the:

24" monitor = 9.5kg
30" monitor = 12.5kg.



Product Description	Apple VESA Display Mount for Cygnus monitor arms
Product code	68A001
Material	Anodised aluminium
Product Weight	0.5kg

Apple LED Cinema Display

Now you can mount your 24 inch Apple iMac or 24 inch Apple LED Cinema display to our Cygnus monitor arm using this VESA-compliant mounting device. With the tool provided in this kit, you can remove the display stand from your iMac, and attach the VESA Mount Adapter and then mount to the Cygnus VESA plate. With the VESA Mount Adapter attached, the 24 inch iMac/LED Cinema Display complies with the VESA MIS-D, 100, C version specification.

Product Description	Apple LED Cinema Display VESA Mount Kit
Product Type	System Mounting Plate Display Size Compatibility 24"
Product code	68A002
Material	Anodised aluminium
Product Weight	0.5kg