

Suitable for use with Contour. Harmony and Wedge power and data modules.

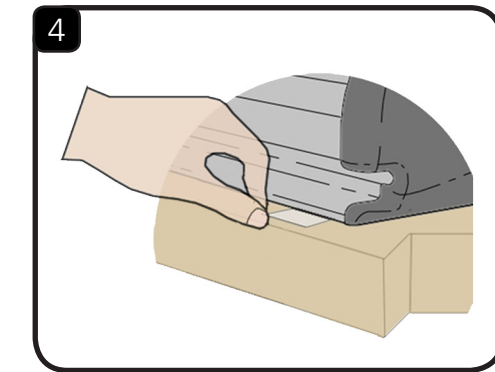
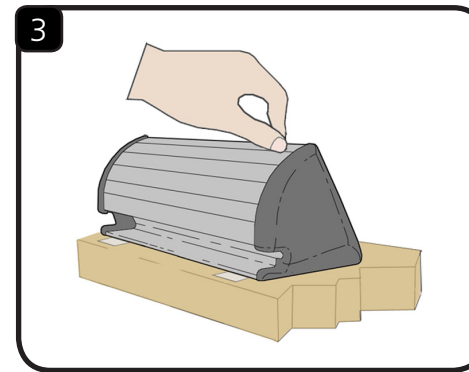
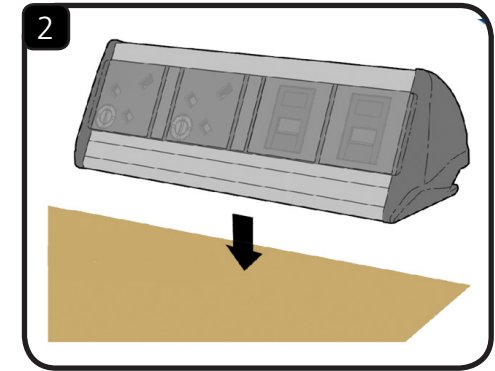
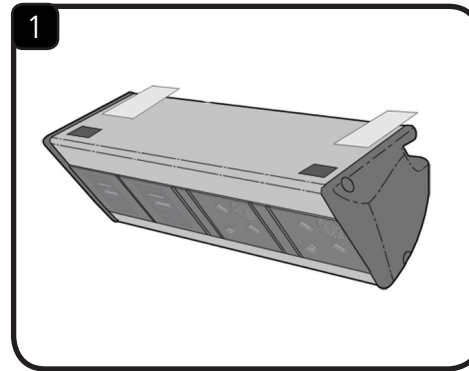
1. Clean both mounting surfaces with the cleaning wipe provided.
2. Place the adhesive tabs equally spaced on the unit surface, ensuring the removal tab is partially exposed (See Fig 1).
3. Position the unit on a clean, dry desk surface (See Fig 2).

DO NOT TRY TO REPOSITION

4. Apply downward pressure for a minimum of 10 seconds. The product will be usable after 20 minutes (See Fig 3).

Removal of the unit

1. Hold the unit firmly, whilst pulling the tab towards you (See fig)
2. Repeat this until all tabs have been removed.



Head Office

CMD Ltd, Sycamore Road, Eastwood Trading Estate, Rotherham, S65 1EN
T: 01709 829 511 | F: 01709 378 380

Preston

CMD Ltd, Brockholes Way, Cloughton-on-Brock, Preston, Lancashire, PR3 0PZ
T: 01995 640 844 | F: 01995 640 798

London Showroom

CMD Ltd, 99 Charterhouse Street, Clerkenwell, London, EC1M 6HR
T: 020 7251 7080 | F: 020 7251 7088

issue number: 04/2011
part number:

E: enquiries@cmd-ltd.com | W: www.cmd-ltd.com

Harmony power module

Disclaimer - The unit contains no user serviceable parts. The retrospective installation must only be carried out by employees of CMD Ltd. Any failure to comply with this condition will invalidate any warranty.

