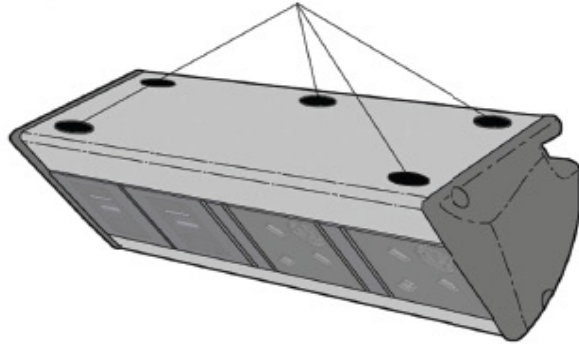


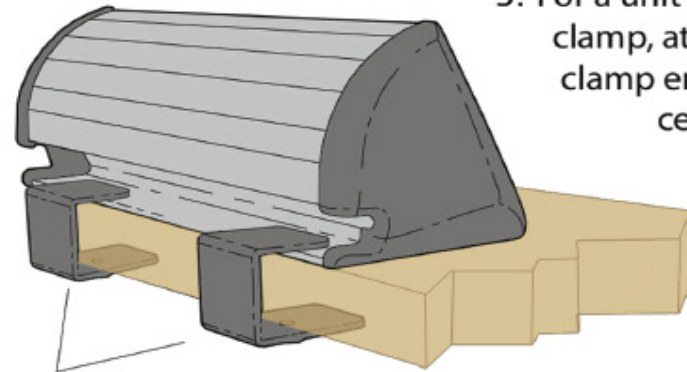
1. Apply rubber feet to the base of the unit.



2. Position the unit on to a desk surface.

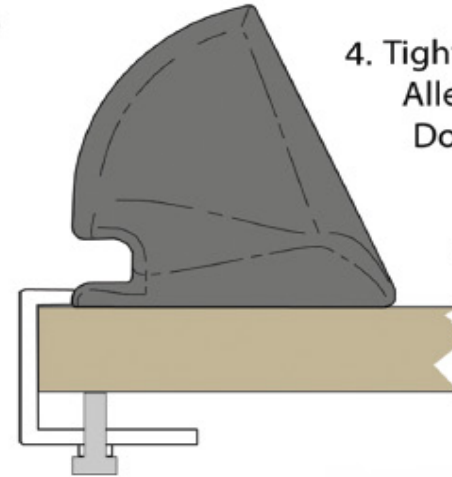


Fix two "C" clamps at each end of the module



3. For a unit with a single clamp, attach the "C" clamp ensuring it is central.

4. Tighten Clamp with a 5mm Allen key (not supplied). Do not use power tools



If the unit twists, an additional clamp may be needed.

Head Office

CMD Ltd, Sycamore Road, Eastwood Trading Estate, Rotherham, S65 1EN
T: 01709 829 511 | F: 01709 378 380

Preston

CMD Ltd, Brockholes Way, Cloughton-on-Brock, Preston, Lancashire, PR3 0PZ
T: 01995 640 844 | F: 01995 640 798

London Showroom

CMD Ltd, 99 Charterhouse Street, Clerkenwell, London, EC1M 6HR
T: 020 7251 7080 | F: 020 7251 7088

issue number: V1.0 06/2011
part number: 130013

E: enquiries@cmd-ltd.com | W: www.cmd-ltd.com

Harmony power module

Disclaimer - The unit contains no user serviceable parts. The retrospective installation must only be carried out by employees of CMD Ltd. Any failure to comply with this condition will invalidate any warranty.

