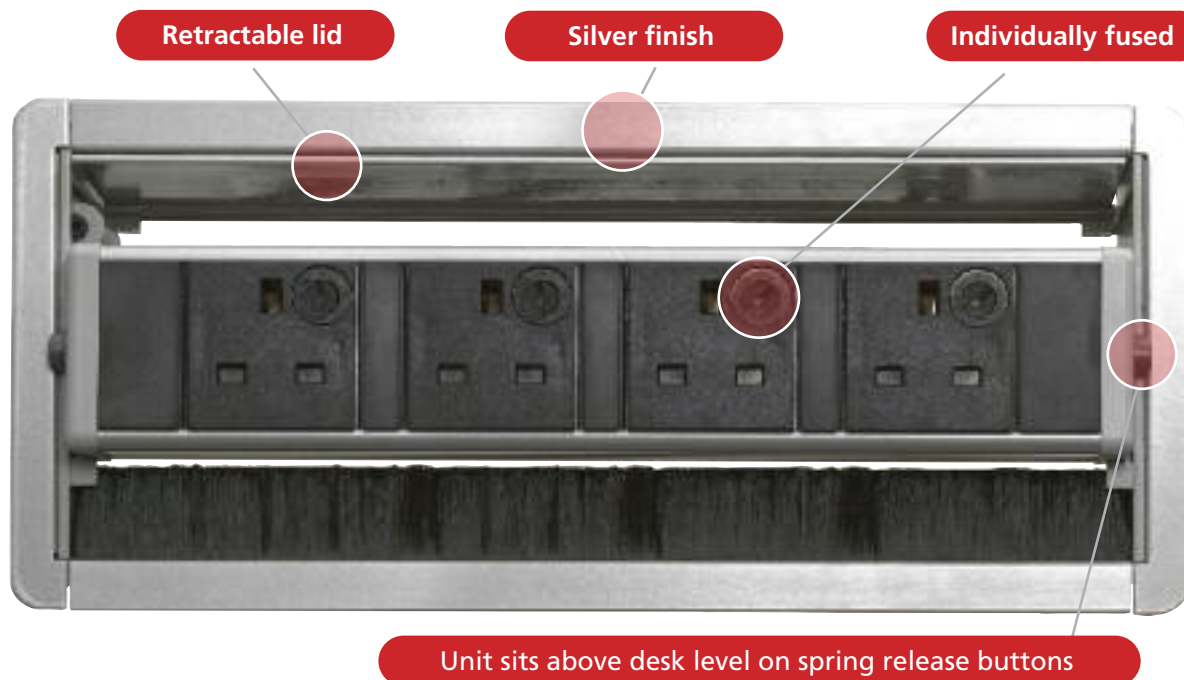


horizon power module

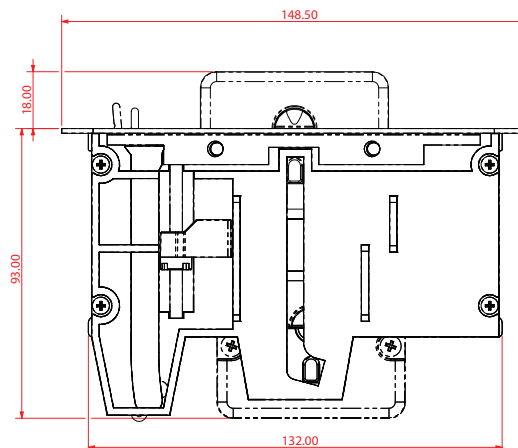


The horizon through desk module offers accessible power and data sockets at the desk top. This unit fits flush into the desk top with an angular and smooth aesthetic finish. The horizon's lid retracts to allow access from both sides, when opened it lifts and locks proud of the desk surface which makes it ideal for use in boardrooms or conference tables. Horizon is finished in Fusion Silver.



key features

- Fusion silver finish
- Module lifts and locks proud of the desk surface
- Lid retracts to allow access from both sides – suitable for conference tables
- Fitting from above, locks into position using two screws
- Spring loaded buttons lock module proud of desk surface and on release allows module to retract below desk surface
- Available with power and data configurations to suit individual client needs
- All UK power socket versions feature individual fuses
- Choice of 3.15A or 5A fuses are available to comply with BS 6396:2008
- Unit complies with BS 5733
- Unit designed to allow installation compliance with BS 6396:2008
- Data cable connections 3 metres as standard, also available in lengths to suit client needs. Power lead standard 1m length to a 3 pole connector connector
- Requires a separate mains lead



PLEASE NOTE: Fuses only accessible after removal of equipment plug.



Unit lid retracts into housing to allow users access from both sides. Spring release buttons lock unit above desk surface. These are then pushed together to allow unit to retract into housing below desk surface



Cutout dimensions: 134mm x 205mm*

2 x Power Sockets

2 x power sockets, 3.15 Amps individually fused, 1 metre 3 pole connector lead as standard. Product weight: 0.9kg

code	colour
96P001	silver



Cutout dimensions: 134mm x 267mm*

3 x Power Sockets

3 x power sockets, 3.15 Amps individually fused, 1 metre 3 pole connector lead as standard. Product weight: 1.4kg

code	colour
96P007	silver



Cutout dimensions: 134mm x 330mm*

4 x Power Sockets

4 x power sockets, 3.15 Amps individually fused, 1 metre 3 pole connector lead as standard. Product weight: 1.4kg

code	colour
96P002	silver



Cutout dimensions: 134mm x 267mm*

2 x Power Sockets 2 x RJ45 Cat5e Data Sockets

2 x power sockets, 2 x RJ45 Cat5e data sockets, 3.15 Amps individually fused, 1 metre 3 pole connector lead and 3 metre data as standard. Product weight: 1.2kg

code	colour
96P001	silver



Cutout dimensions: 134mm x 391mm*

4 x Power Sockets 2 x RJ45 Cat5e Data Sockets

4 x power sockets, 2 x RJ45 Cat5e data sockets, 3.15 Amps individually fused, 1 metre 3 pole connector lead and 3 metre data as standard. Product weight: 1.7kg

code	colour
96P001	silver

If you require any other configuration of power and data please contact our sales office.

NB CMD cannot accept any responsibility or liability for providing category 5e performance in products supplied. We will however fit category 5e specification components where specified. * Dimensions are meant as a guide and have a +/- 1mm tolerance