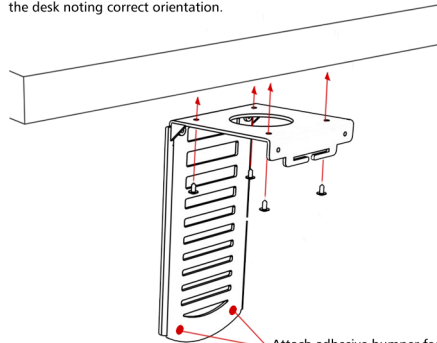


Secure ladder to the underside of the desk noting correct orientation.



Attach adhesive bumper feet onto ladder if using extension plate as in figure 1.

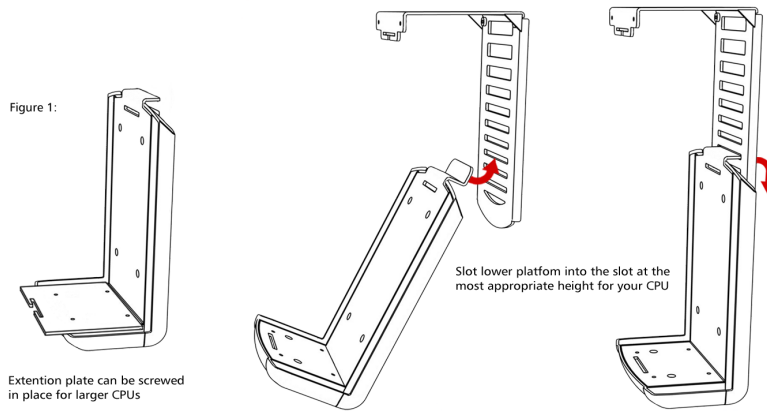
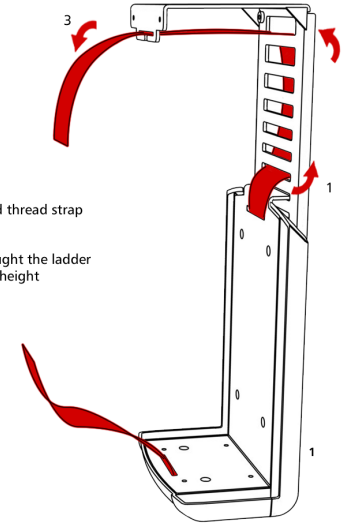


Figure 1:

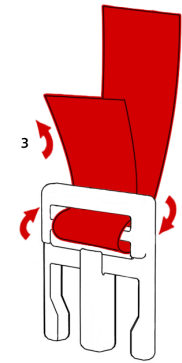
Extension plate can be screwed in place for larger CPUs

Slot lower platform into the slot at the most appropriate height for your CPU

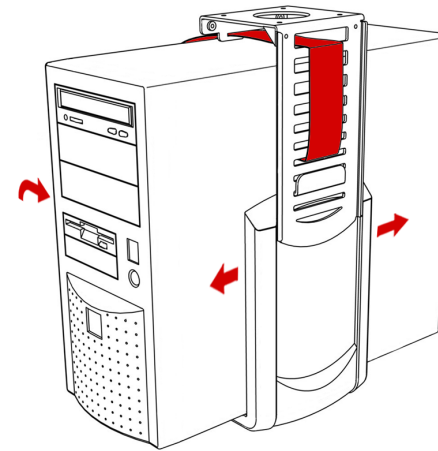


Unthread the buckle and thread strap through the ladder rack

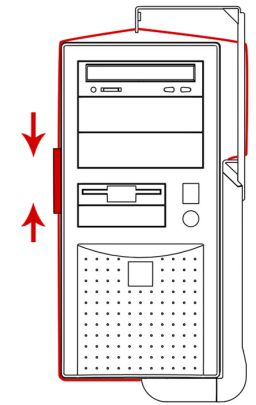
Rethread the strap through the ladder rack to the suit the CPU height



Re-thread the Buckle



Place CPU in position balancing carefully



Clip up buckle and tighten

Head Office
CMD Ltd, Sycamore Road, Eastwood Trading Estate, Rotherham, S65 1EN
T: 01709 829 511 | F: 01709 378 380

Preston
CMD Ltd, Brockholes Way, Cloughton-on-Brock, Preston, Lancashire, PR3 0PZ
T: 01995 640 844 | F: 01995 640 798

London Showroom
CMD Ltd, 99 Charterhouse Street, Clerkenwell, London, EC1M 6HR
T: 020 7251 7080 | F: 020 7251 7088

issue number: V1.0 06/2011
part number: 130996

E: enquiries@cmd-ltd.com | W: www.cmd-ltd.com

Snug

 cpu support

Disclaimer - The unit contains no user serviceable parts. The retrospective installation must only be carried out by employees of CMD Ltd. Any failure to comply with this condition will invalidate any warranty.

