

Vision is a design classic of monitor pole arm which offers the ergonomic benefits of a flat screen monitor arm yet more affordable than its more prestigious gas lift rivals. Vision can be installed at different heights to suit different environments. Rotation and height adjustments can be made by individual users. Vision comes with a standard 'C' clamp and through desk fixings and can support monitors up to 8kgs in weight. The 30mm diameter pole allows a huge 330mm of height adjustment, while the design also allows a full 360 degrees of swivel movement with full head tilt to be positioned at the optimum eye level.

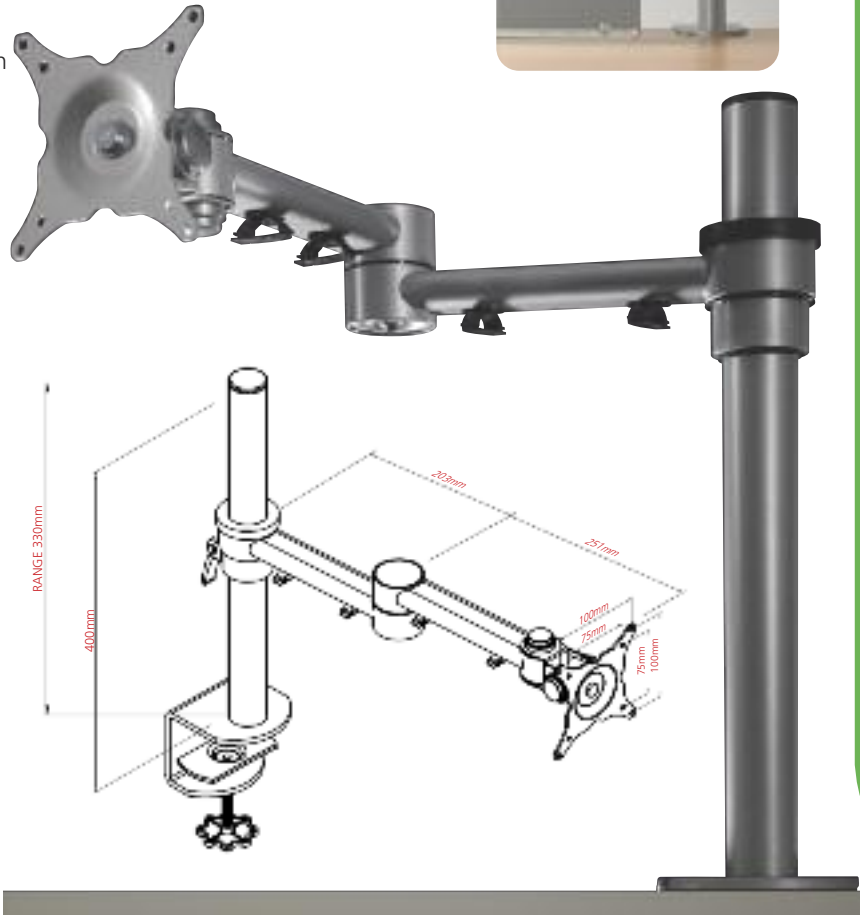
key features

- Full 360 degrees control over the screen angle to increase comfort and reduce glare
- Will carry monitors up to 8kg
- Combines function with beautiful design at an affordable price
- Available in Silver, White or Black
- 400mm pole length, 30mm diameter
- 330mm height adjustment
- Product weight 4.46kg

code colour

68S002	Silver
68S003	White
68S020	Black

All supplied with 'C' clamp and through desk fixing**



Slatwall Option

code	colour
68S024	Silver

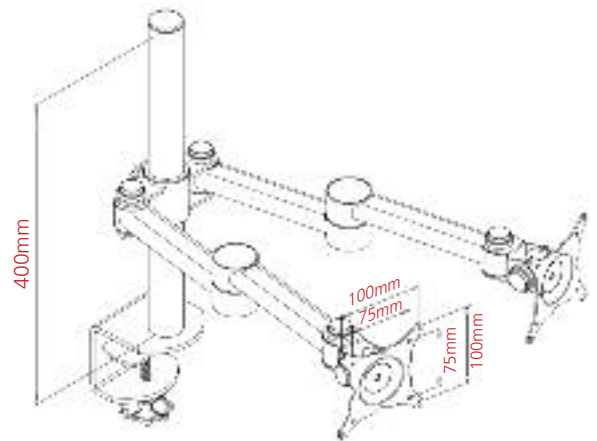
Double Vision Pole Arm



Double Vision Arm with 'C' clamp and through desk fixing**

code colour

68S005	Silver
68S031	Black*
68S018	White*



* Subject to minimum order
 **A bolt-through mount via a drilled hole