

## PortHole Power and Data Module

### Easy Fixing

The PortHole through desk power and data module has been designed to fit any desk that has been pre-cut with a standard 80mm grommet hole.

### Power and Data

The module can be supplied with a choice of power, data and AV configurations.

### Replacable Keystones

Replacement Data, USB and AV keystone units can be supplied so the functionality of each PortHole can be changed at any time.



fig. 01



### Quick and Easy to Install

1. Remove the fixing nut.
2. Place the module through the grommet hole (see fig.02).
3. Replace the fixing nut to secure. (see fig. 03)
4. Connect the power and data cables

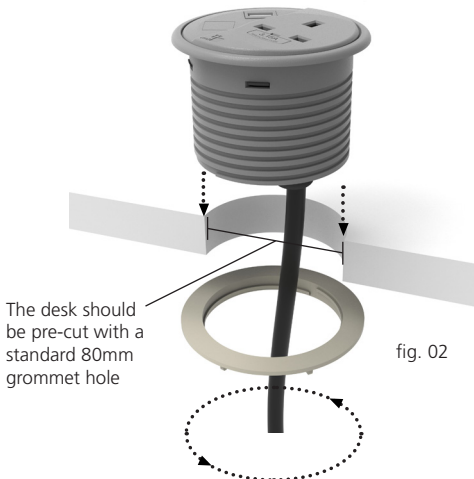


fig. 02



fig. 03



## Keystone Couplers



fig. 04

The Data, USB and AV keystones can be replaced at any time.

For safety, we recommend that you unplug the power and the data cables before removing the inside section of the module.

To remove the unwanted keystone unit simply depress the holding clips (see fig. 04).

To fit the new keystone unit simply follow this process in reverse. (see fig. 05), before replacing the inside section and the data and power cables.



fig. 05

## Important Information

### Cleaning & Maintenance

Service Components	Available to order.
Cleaning & Maintenance	Dry cloth, no abrasives or solvents to be used on the module surface.
Handling & Storage	Do not drop or expose to moisture.

### Warning

Do not use this product for any purpose other than which it was designed for.

Do not over tighten the fixing nut.

All electrical cables should be fitted by a qualified electrician.

Do not attach power and/or data cables before fitting.

Do not dismantle or remodel the power module.

NB: CMD cannot accept any responsibility or liability for providing category 5e performance in products supplied. We will however, fit category 5e specification components where specified.

## Quality Assurance and Compliance

### Certifications

Tested to BS5733.

### Statement of Sustainability

CMD endeavours to produce items that are manufactured using high quality materials that are sustainable, recycled or recyclable where possible and, which do not represent a threat to our common environment. Wherever possible we design with consideration for the environment and adopt recognised best practice to encourage the recycling of our products.

### Manufacturing

Designed and Manufacture in Sheffield, UK.

98% of material used to make this product is recyclable.

### Product Materials

External Metal Parts	100% Recyclable
External Plastic Parts	100% Recyclable
Internal Metal Parts	100% Recyclable
Internal Plastic Parts	100% Recyclable

### Packaging Materials

100% Recyclable Cardboard Outer Box

100% Recyclable Cardboard inner fixing box

### Life-span/Safety

All our power and data modules are put through a range of in-house tests. Due to the design approach of sharing components and fastening methods, a number of these tests are generic for the entire product range.