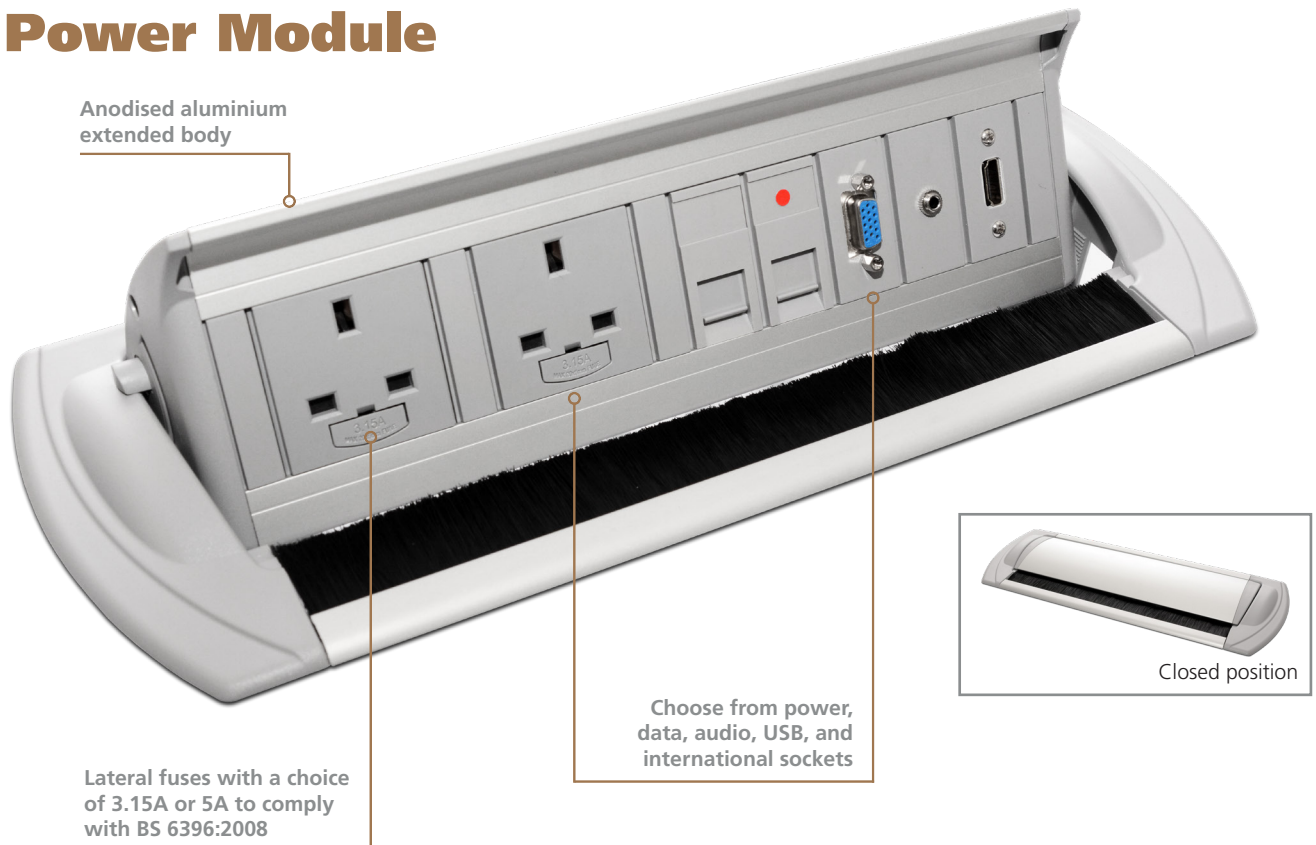


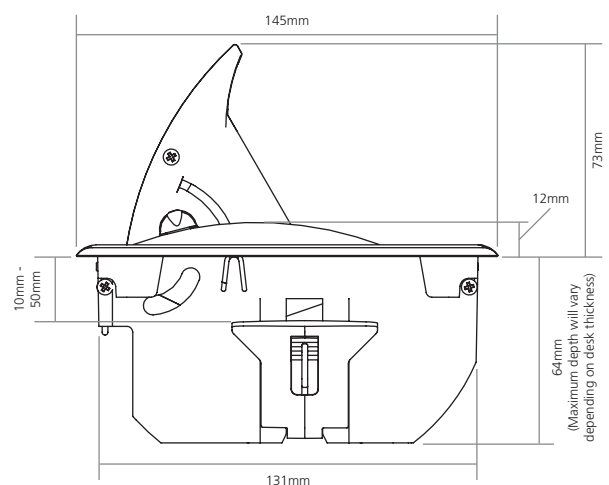
Affinity module offers the convenience of power and data at the desktop when you need it and an uncluttered work surface when you don't. It is a concealed unit that can function in the open or closed position.

## Affinity Power Module



### Features

- Affinity has grey fascia end caps and an anodised aluminium body
- Clamps into rectangular location hole using ratchet clamps
- All UK power socket versions feature individual fuses
- Unit complies with BS 5733
- All standard options are supplied with a 3m mains lead to 13A UK plug and 3m data leads where relevant
- Power and data cables all exit from under the side of the unit
- All UK sockets feature integral fuses. Choice of 3.15A or 5A fuses are available to comply with BS 6396
- Designed to fit desk thicknesses ranging from 10mm to 50mm



UK Code	Description
85PG01	2 x power, 3m mains lead to 13A UK plug Product cutout dimensions: 132mm x 161.5mm
85PG03	4 x power, 3m mains lead to 13A UK plug Product cutout dimensions: 132mm x 286.5mm
85U490	2 x power, 3m mains lead to 13A UK plug, 2 x RJ45 data Cat6, 3m data leads Product cutout dimensions: 132mm x 286.5mm
85U493	4 x power, 3m mains lead to 13A UK plug, 2 x RJ45 data Cat6, 3m data leads Product cutout dimensions: 132mm x 361.5mm
85HG02	2 x power, 3m mains lead to 13A UK plug, 2 x RJ45 data Cat6, 1 x VGA, 1 x mini jack, 3m data and AV leads Product cutout dimensions: 132mm x 299mm



### Build it your way

Please see page 31 for more information.



### Manage your energy

Configure to allow energy to be monitored and controlled with Footprint. See page 73 for more details.

## In Desk Power

UK Code	Description
85AV52050	2 x power, 3m mains lead to 13A UK plug, 2 x RJ45 data Cat6, 1 x VGA, 1 x mini jack, 1 x HDMI, 3m data and AV leads Product cutout dimensions: 132mm x 324mm
85050001	2 x power, 3m mains lead to 13A UK plug, 1 x Twin port 5Amp USB Charger Product cutout dimensions: 132mm x 224mm
85050002	2 x power, 3m mains lead to 13A UK plug, 1 x Twin port 5Amp USB Charger, 2 x RJ45 data Cat6, 3m data leads Product cutout dimensions: 132mm x 286.5mm

Cables: White and grey modules are supplied with white cables and black modules are supplied with black cables.

Data Cables: CMD cannot accept any responsibility or liability for providing category 6 performance in products supplied. CMD cannot accept any responsibility or liability for providing HDMI performance in products supplied over 5m in length.

Fuses: Only accessible after removal of equipment plug. Lead lengths shown will be the conductor length and not the distance from the end of the module to the plug. For example, a 3m prewired power lead will be approximately 2.875m as 125mm will be internal for the termination. This is also applicable for data leads. Data fascias may be subject to colour change.