

Black Box™ Distribution

A Female Neutrik plug is required to supply power. Please ask for part code PXO2132GR for use with Clean Earth underfloor busbars and tap offs and part code 440713 for use with Standard, Auxiliary Earth and Three Phase underfloor busbars and tap offs.



Features:

- Compact aesthetic modular Power Distribution Unit (PDU) for the distribution of power within office furniture installations
- Requires a separate connecting mains supply
- Incoming circuit protection device options by either a 32A RCD (overload protection up stream) or 32A RCBO
- Up to 8 outgoing circuits, individually protected by 6, 10 or 16 amp MCBs, available in 4, 6 or 8 module variations
- Outgoing circuit connected from the PDU by Wieland GST18 connectors in either 3 pole (Standard Earth) or 4 pole (Clean Earth)
- All MCBs are accessible through a clear hinged cover which has the option of being lockable or accessible by the use of a tool only
- Stylish design, ideal for commercial offices, health care and education projects where the PDU may be sited in publicly accessible areas
- Products are CE Marked conforming to the requirements of BS 5733

Code	Description
------	-------------

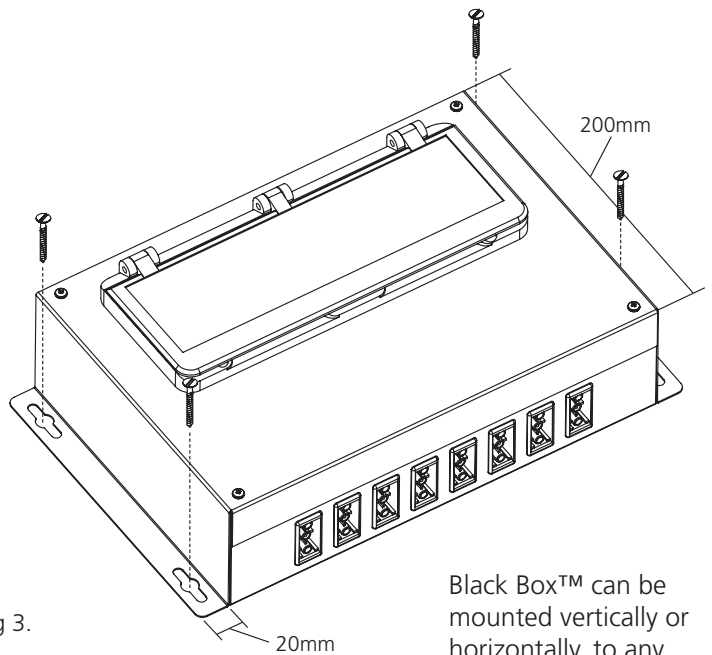
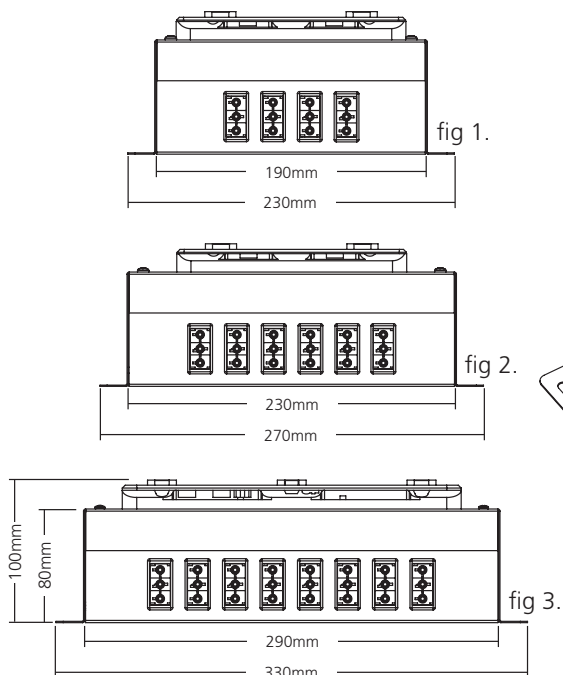
440713	3 pole 32A Neutrik plug - Black
PDU8RCBO3P/16GST	Power distribution box / 8 x Wieland outputs (Standard Earth) 1 x RCBO / 8 x 16A MCBs
PDU6RCBO3P/16GST	Power distribution box / 6 x Wieland outputs (Standard Earth) 1 x RCBO / 6 x 16A MCBs
PDU4RCBO3P/16GST	Power distribution box / 4 x Wieland outputs (Standard Earth) 1 x RCBO / 4 x 16A MCBs
PDU8RCD3P/16GST	Power distribution box / 8 x Wieland outputs (Standard Earth) 1 x RCD / 8 x 16A MCBs
PDU6RCD3P/16GST	Power distribution box / 6 x Wieland outputs (Standard Earth) 1 x RCD / 6 x 16A MCBs
PDU4RCD3P/16GST	Power distribution box / 4x Wieland outputs (Standard Earth) 1 x RCD / 4 x 16A MCBs

Code	Description
------	-------------

PXO2132GR	5 pole 32A Neutrik plug - Grey
PDU8RCBO4P/16GST	Power distribution box / 8 x Wieland outputs (Clean Earth) 1 x RCBO / 8 x 16A MCBs
PDU6RCBO4P/16GST	Power distribution box / 6 x Wieland outputs (Clean Earth) 1 x RCBO / 6 x 16A MCBs
PDU4RCBO4P/16GST	Power distribution box / 4 x Wieland outputs (Clean Earth) 1 x RCBO / 4 x 16A MCBs
PDU8RCD4P/16GST	Power distribution box / 8 x Wieland outputs (Clean Earth) 1 x RCD / 8 x 16A MCBs
PDU6RCD4P/16GST	Power distribution box / 6 x Wieland outputs (Clean Earth) 1 x RCD / 6 x 16A MCBs
PDU4RCD4P/16GST	Power distribution box / 4 x Wieland outputs (Clean Earth) 1 x RCD / 4 x 16A MCBs



Black Box™ can be manufactured to house 4, 6 or 8 Wieland sockets with individual protection.



Black Box™ can be mounted vertically or horizontally, to any wall or surface.