

## Motion Monitor Arm

### Description

Motion is the ever practical pole arm that offers the ergonomic benefits of a monitor arm yet more affordable than its more prestigious Air gas sibling. Motion is available in a single and double arm configuration making it ideal for those who work in close proximity, or for the individual user who has two screens.

### Cleaning Storage & Maintenance

Routine Servicing	Occasionally rotate and move arm
Service Components	Available To Order
Cleaning & Maintenance	Damp cloth, no abrasives or solvents to be used on the cosmetic surfaces
Handling & Storage	Do not drop or expose to moisture

### Warning

Ensure desk surface / partition / is suitable to take the weight of the arm.

Do not use this product for any purpose other than the one it was designed for.

Hold monitor tightly when making any adjustments.

Care should be taken to avoid trapping fingers.

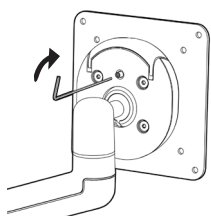
Do not attach monitor before assembling the arm.

Do not dismantle or remodel the arms.

Maximum weight supported by monitor arm is 8kg

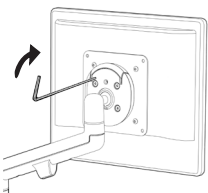
Double Motion Arm supports 8Kg on each arm. However, it is recommended that have balanced weight on each arm.

### Additional Features



#### Security Screw

Tighten the security screw to lock the monitor and prevent removal. Use a 1 x 2mm allen key for this.



#### Weight Adjustment

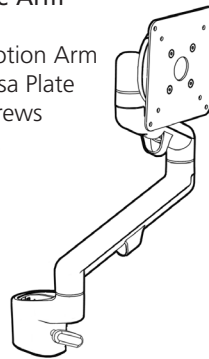
Heavy monitors may require the 4 screws on back of the head to be tightened further to strengthen resistance. Max Weight 8kg. Minimum Weight 2kg.

### Contents (depending on selection)

**NB** Please note that allen keys are not supplied. You will need 3 x allen keys (1 x 2mm, 1 x 2.5mm, 1 x 4mm)

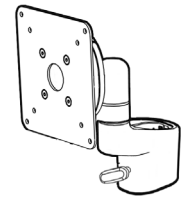
#### Single Arm

x1 Motion Arm  
x1 Vesa Plate  
x4 Screws



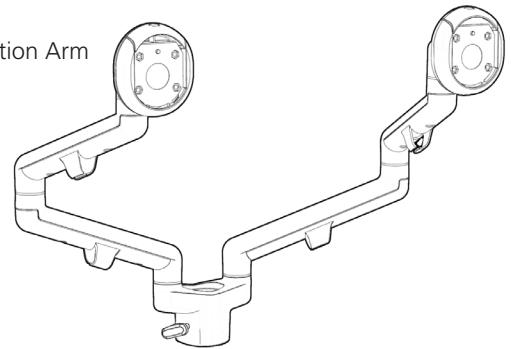
#### Head

x1 Motion Head  
x1 Vesa Plate  
x4 Screws



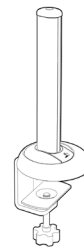
#### Double Arm

x1 Double Motion Arm  
x2 Vesa Plates  
x8 Screws



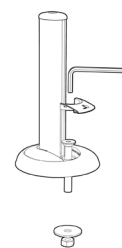
#### C-Clamp Base

x1 C-Clamp fixing



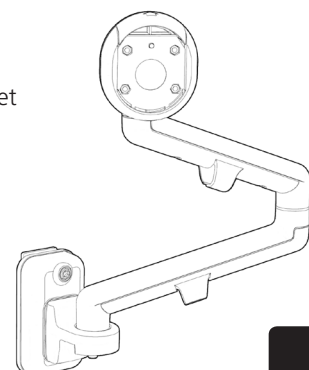
#### Through Desk Base

x1 Through Desk fixing



#### Slatwall Arm

x1 Motion Arm including bracket  
x1 Vesa Plate  
x4 Screw



## Motion Monitor Arm

**1**

**Choose Fixing Kit**



**C-Clamp**

Tighten the C-Clamp to the edge of the desk.

Move to Step 2.



**Through Desk Fixing**

Screw fixing into the desk as shown and cover using the plastic clip.

Move to Step 2.

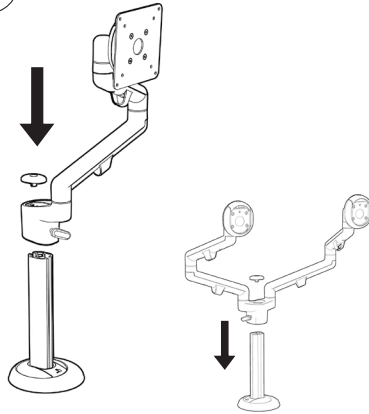


**Slatwall**

Attach the slatwall arm to the slatwall using an allen key.

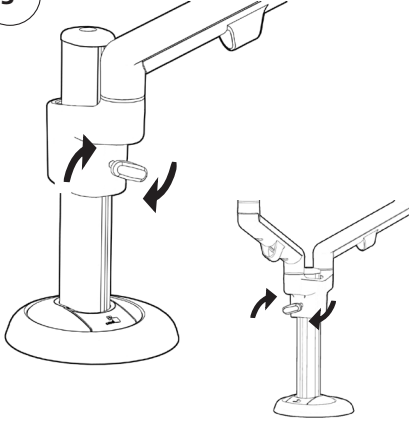
Move to Step 5.

**2**



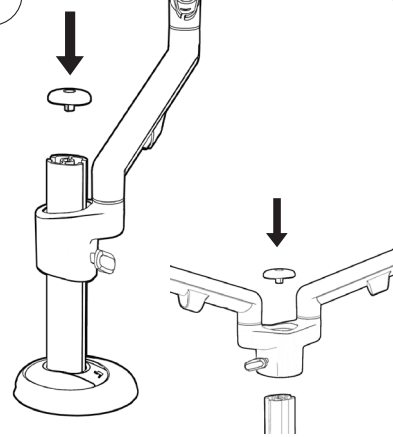
Slide the arm downwards onto the grooves of the pole.

**3**



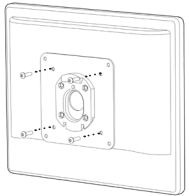
Lock the arm at the desired height by using the thumb lock screw.

**4**



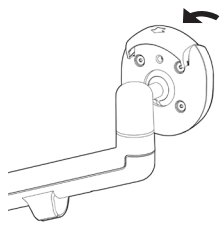
Once the arm is fitted in place, clip the cap onto the head of the pole.

**5**



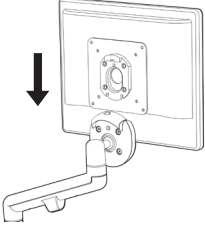
Attach the VESA plate to your monitor using the x4 screws provided. Max Weight 8KG per head.

**6**



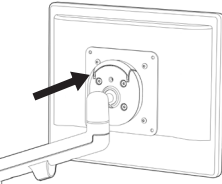
Open the lever on the head of the arm.

**7**



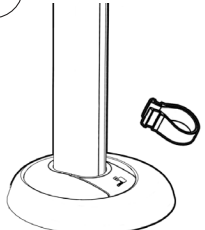
Hook VESA onto the head of the arm and push firmly down.

**8**



Once in place, close the lever on the head to fix the monitor in place.

**9**



Fix the cable management clip to the grooves on the pole and feed cables through.

