

Floor Boxes

Screed + Screwfix

The 93 and 99 Series range of floor boxes are available for use as either a 'stand alone' screed floor type or a screw fixed type suitable for raised floors. Screed floor types are supplied with jacking legs which allow 10mm adjustment for levelling with the finished floor depth and are sealed to prevent ingress of screed.

Features:

- Quick release lid for easy access to accessory plate
- Self closing lid
- Non-Trip cable outlet brackets

IP Rating
IP2X

93 Series 2 compartment



Cable protectors

99 Series 3 compartment

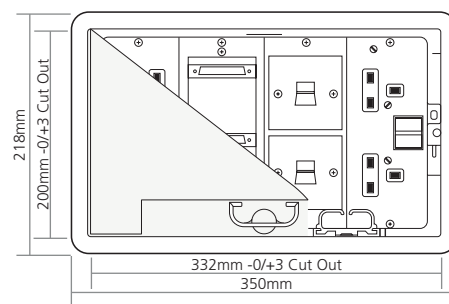
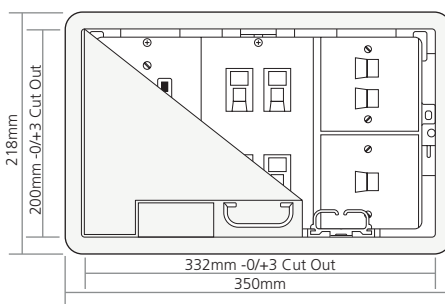
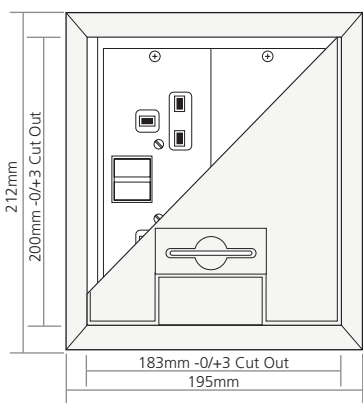


Self closing lid

99 Series 4 compartment



20/25mm entry knockouts



Code	Description	Code	Description	Code	Description
PP93285G	Screw Fix, 85mm deep Floor box, Grey Trim	PP99385G	Screw Fix, 85mm deep Floor box, Grey Trim	PP99485G	Screw Fix, 85mm deep Floor box, Grey Trim
PPS93285G	Screed Box, 85mm deep, Grey Trim - Adapted for Screed	PPS99385G	Screed Box, 85mm deep, Grey Trim - Adapted for Screed	PPS99485G	Screed Box, 85mm deep, Grey Trim - Adapted for Screed
				Add Suffix /KL	Additional overcost to fit a Key Lock to a floor box lid