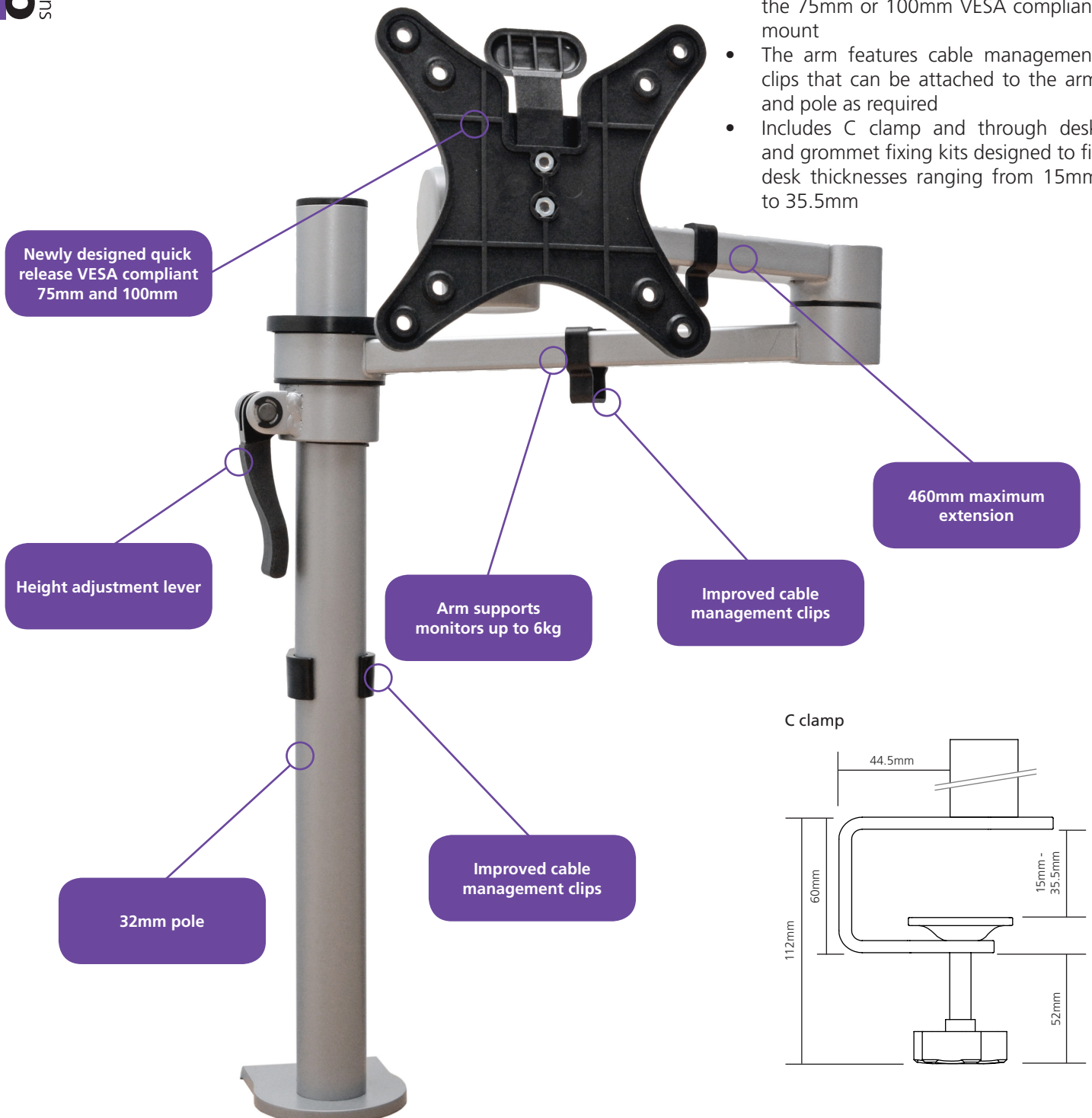


Our newly designed Vision S monitor arm offers the ergonomic benefits of an assisted monitor arm but is much more affordable. Vision S can be installed at different heights to suit different environments with rotation and height adjustments being made by the individual users. The 32mm diameter pole allows a huge 330mm of height adjustment, while the design also allows a full 360 degrees of swivel movement with full head tilt to be positioned at the optimum eye level.

Vision S Monitor Arm

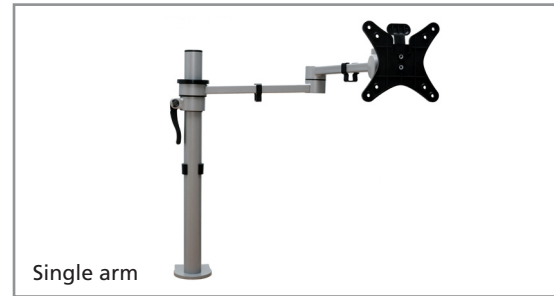
Features

- Each single arm can support monitors up to 6kg
- The maximum extension of each single arm is 460mm when measured from the centre of the Vision pole to the centre of the VESA mount
- The monitor can be attached using the 75mm or 100mm VESA compliant mount
- The arm features cable management clips that can be attached to the arm and pole as required
- Includes C clamp and through desk and grommet fixing kits designed to fit desk thicknesses ranging from 15mm to 35.5mm



Vision S Single Arm

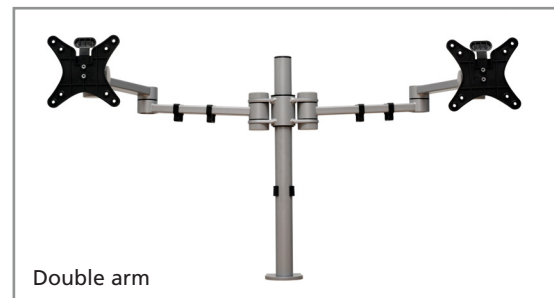
Code	Colour	Description
68V001	Silver	Single Vision pole arm with C clamp, Bolt Through and 80mm Grommet fixing kit. With black plastic trim
68V002	Black	Single Vision pole arm with C clamp, Bolt Through and 80mm Grommet fixing kit. With black plastic trim
68V003	White	Single Vision pole arm with C clamp, Bolt Through and 80mm Grommet fixing kit. With white plastic trim



Our new Single Vision kit allows for a single screen to be mounted and adjusted as required. Arm supports monitors up to 6kg.

Vision S Double Arm

Code	Colour	Description
68V004	Silver	Double Vision pole arm with C clamp, Bolt Through and 80mm Grommet fixing kit. With black plastic trim
68V005	Black	Double Vision pole arm with C clamp, Bolt Through and 80mm Grommet fixing kit. With black plastic trim
68V006	White	Double Vision pole arm with C clamp, Bolt Through and 80mm Grommet fixing kit. With white plastic trim



Our new Double Vision kit allows for two screens to be mounted and adjusted as required. Each VESA head supports monitors up to 6kg.

Note: The alignment of some double screen and multiscreen systems may vary with an accepted tolerance of +/- 5mm.

Vision S 750mm Poles

Code	Colour	Description
68V022	Silver	Vision S 750mm Pole with C clamp, Bolt Through and 80mm Grommet fixing kit with black cap
68V023	Black	Vision S 750mm Pole with C clamp, Bolt Through and 80mm Grommet fixing kit with black cap
68V024	White	Vision S 750mm Pole with C clamp, Bolt Through and 80mm Grommet fixing kit with white cap

The 750mm poles is sold separately and is a perfect upgrade for taller users.

Vision S 400mm Pole

Code	Colour	Description
68V014*	Silver	Vision S 400mm Pole with C clamp, Bolt Through and 80mm Grommet fixing kit with black cap

Vision S Single Head

Code	Colour	Description
68V016*	Silver	Vision S Single Head

*Subject to minimum order quantities and lead times.

Monitor Arms

Vision S Laptop Support

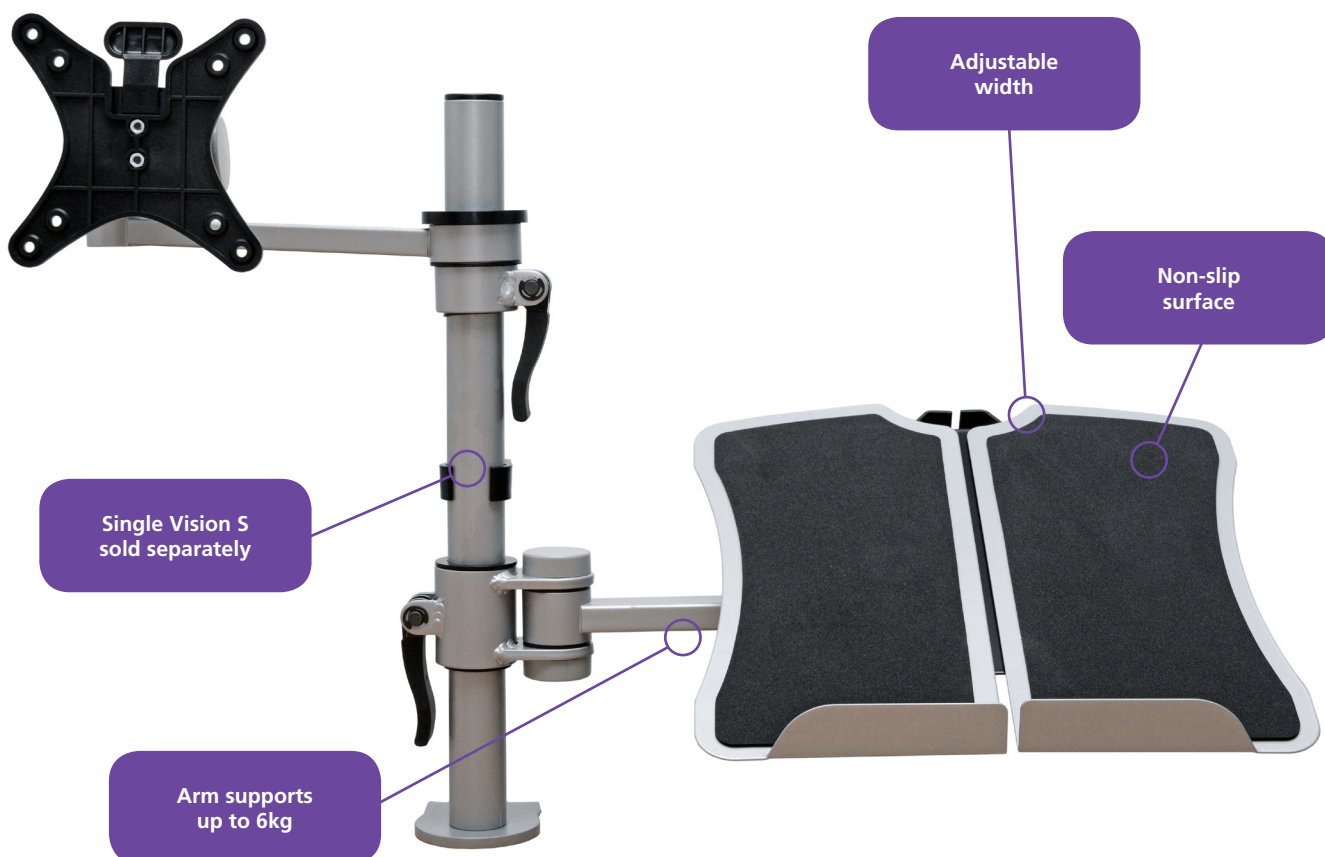
Used in conjunction with the Vision S pole arm the laptop holder can be positioned to the side or rotated around the pole and height can be adjusted with a simple release mechanism.

Features

- Laptop holder will hold up to 6kg
- Tray features a non-slip surface with adjustable platforms for wider laptops
- 360° rotation around the Vision pole arm
- 330mm height adjustment range
- 90° pan adjustment
- 40° tilt adjustment range



Code	Colour	Description
68V007	Silver	Vision S Laptop Support with black lever
68V008	Black	Vision S Laptop Support with black lever
68V009	White	Vision S Laptop Support with white lever



Vision Thin Client Holder

Used in conjunction with the Vision S pole arm our thin client holder can support a variety of thin client sizes. The Vision S pole arm can be supplied with an extended C clamp base if needed to allow the holder to be used with desk privacy screens - please ask for details.

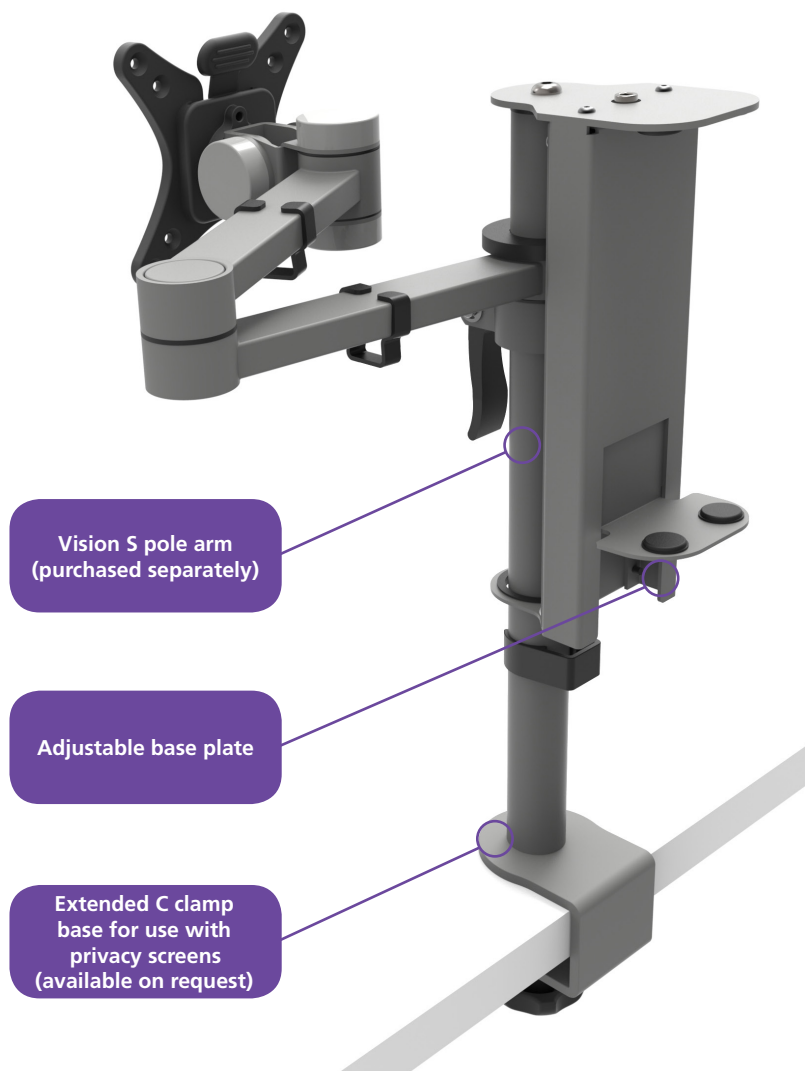
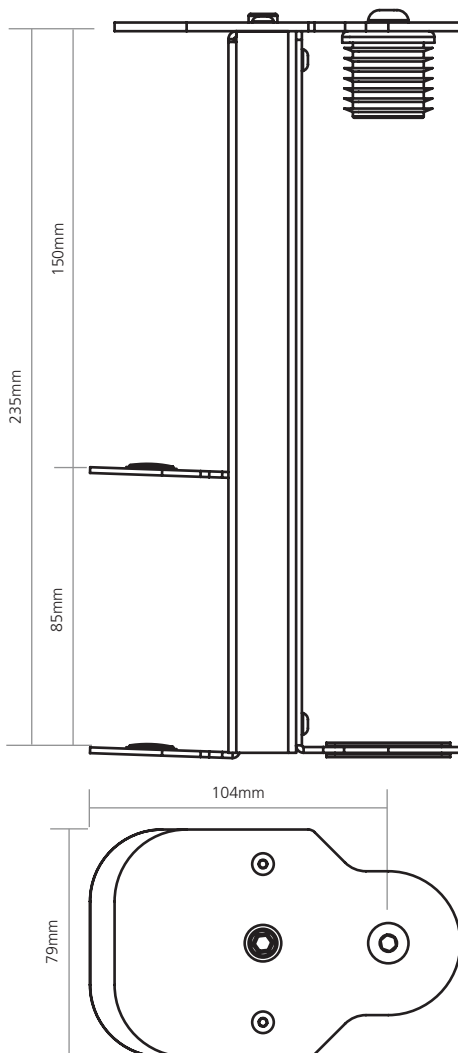
Designed to support thin clients with a minimum height of 150mm, a maximum height of 235mm, maximum width of 300mm and maximum depth of 60mm.

Features

- Easy Fixing - Can be fitted to your existing Vision pole monitor arm or bought together for new installations
- Strong Construction - Constructed from 2mm powder coated steel making this an affordable and robust solution for thin client users
- Versatility - The Vision S thin client holder is fully adjustable and can accommodate a wide range of thin client sizes

Code	Colour	Description
68V061	Silver	Vision S Thin Client Holder
68V062	Black	Vision S Thin Client Holder
68V063	White	Vision S Thin Client Holder

Dimensions



Note: Our Vision S pole arm is not included with our Vision S thin client holder.