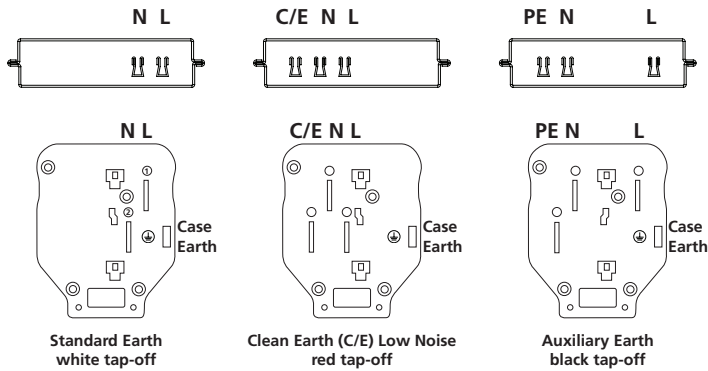
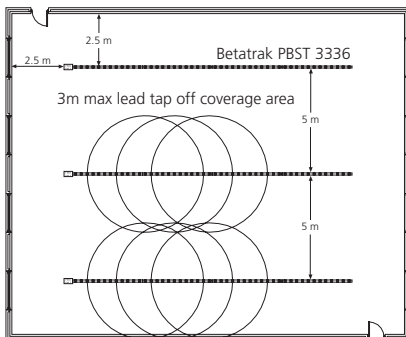


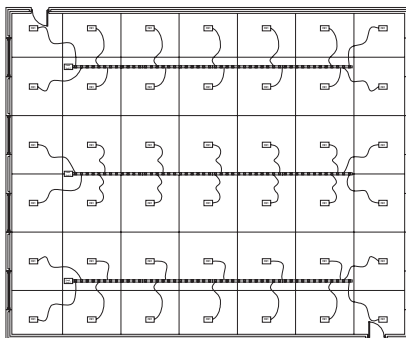
This installation guide is intended to be used specifically with the earth types shown below. Ensure the colour of the tap-offs are correct for the type to be fitted to the powertrack prior to installation.



Typical floor layouts

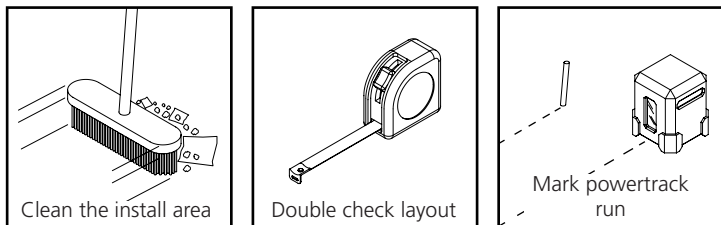


Powertrack
3m tap-offs provide full coverage when powertrack is laid out on 5m centres.

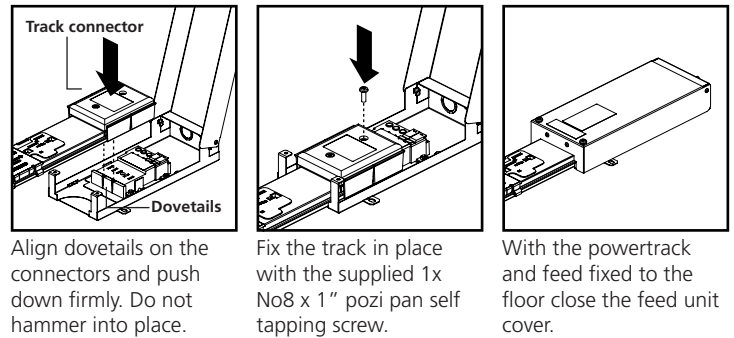
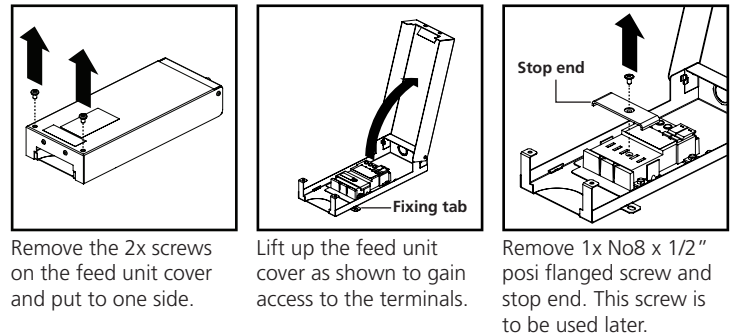


Floor Boxes
Typical layout: 1 floor box for every 10m².

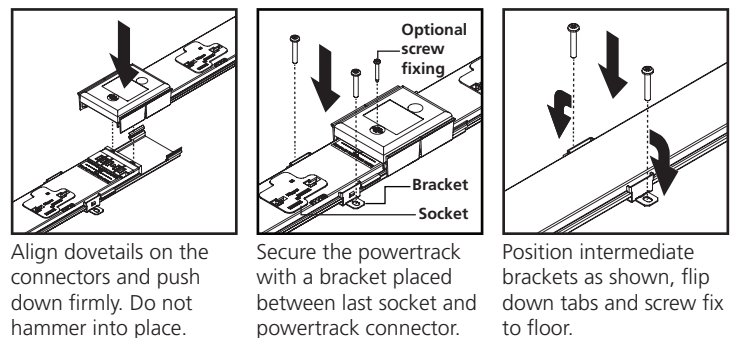
Prepare the site



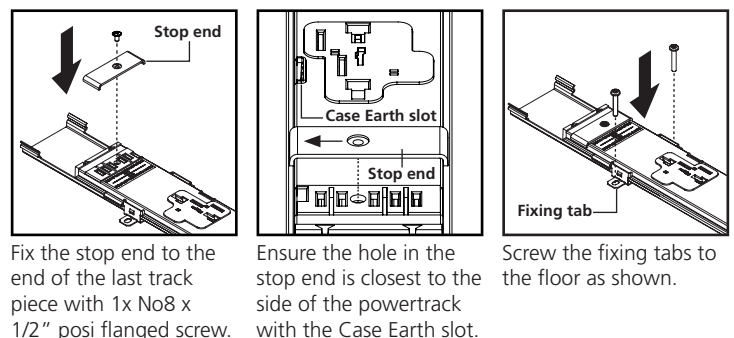
Feed unit connection (feed unit to track)



Track length connection (track to track)



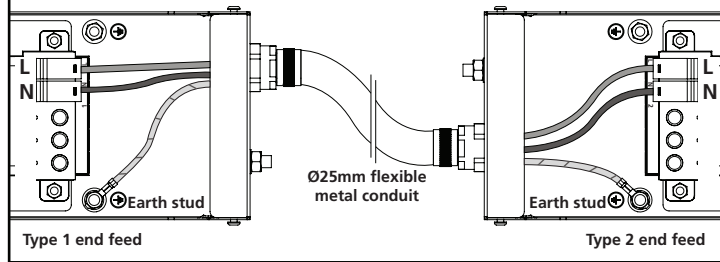
Stop end



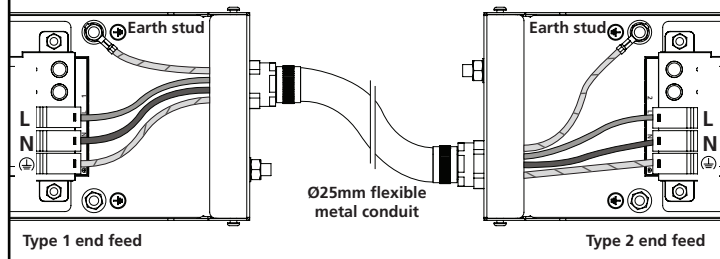
Feed wiring instructions

Wire colour key:  Live Brown  Neutral Blue  Earth Green/Yellow

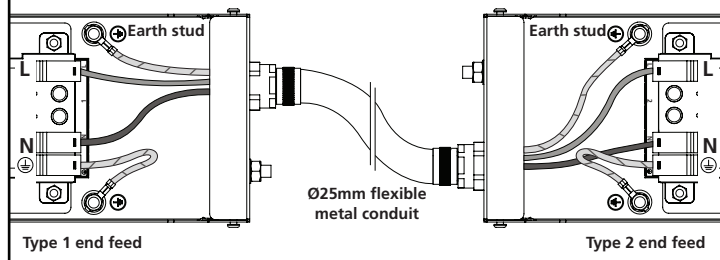
Standard Earth - single entry



Clean Earth (C/E) Low Noise - single entry



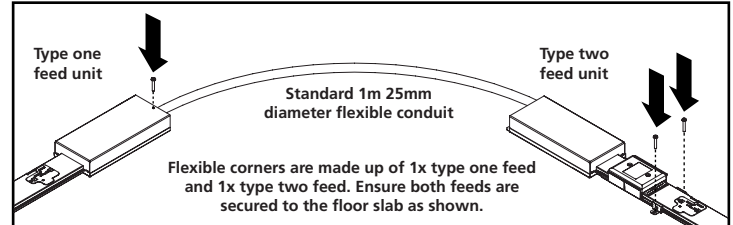
Auxiliary Earth - single entry



Flexible corners (supplied separate to feed and powertrack)

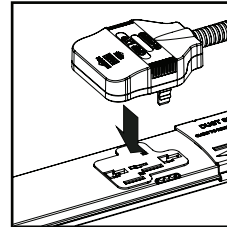
- Flexible corner kits consisting of a Type 1 and a Type 2 feed end must utilise a suitably rated cable to meet the rating of the protective device at the origin of the circuit.
- The installation method of the cable and type utilised between the Type 1 and Type 2 feed ends must be selected to suit the external influences of the installation.
- You must follow the correct wiring arrangement appropriate to the Betatrak type to achieve phase and earth connection requirements.

Flexible corners - single feed

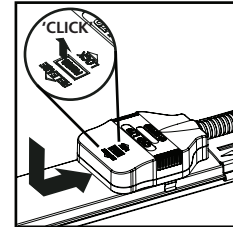


Tap-off engagement/release

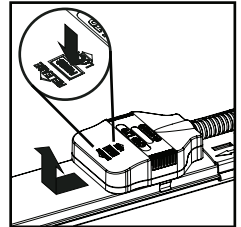
****WARNING****
An unterminated tap-off **MUST NEVER** be connected to a live track. Provided that it is off load, a terminated tap-off may be removed/inserted into a live track. Conduit must be bonded to Earth.



Align tap-off pins with slots on socket. Push down to engage.



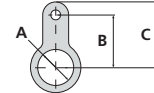
Press down and push backwards until button clicks upwards to lock.



To remove, press button to disengage. Push forwards and lift up to remove.

Earthing ring/tag (not supplied by CMD)

The feed end has the ability to accept a standard M25 SWA Earthing ring/tag with fixing points at 36.5mm.



A = M25
B = 36.5mm
C = 45.5mm
Thickness = 1.5mm

Additional information

Safety

- Installation is to be carried out in accordance with relevant Health & Safety regulations and only to be carried out by a skilled or competent person.
- The product should be installed to comply with the relevant national standards and be inspected and tested prior to being put into service (in the UK BS 7671 Wiring Regulations).
- Isolate the supply before installation or repositioning. Any locking mechanisms must be used and fully engaged.
- Incorrect use could lead to risk of electrocution.
- Product to be used only for the intended purpose of distributing power in a commercial environment.
- Do not misuse, dismantle or re-configure the product because doing so will invalidate the warranty.

Standards

- Refer to the Declaration of Conformity.

Further guidance

- Fuse replacement only to be carried out by a skilled or competent person.
- Should the supply cable need replacing, contact CMD.

Product care

- Clean using a dry cloth. No abrasives or solvents to be used on the product.
- Do not drop or expose to moisture.

