

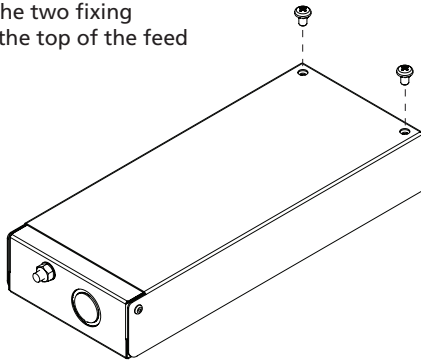
Betrak

Before installation, mark out the intended track run using a chalk string or equivalent. When installing, align the track lengths along the chalk line.

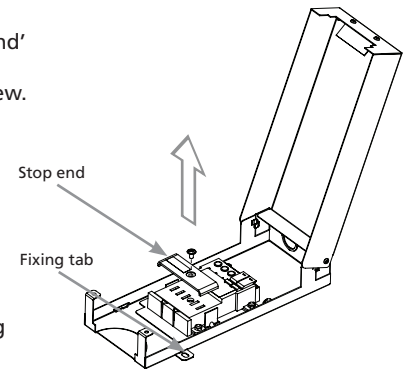
1

Feed unit connection (Feed unit to track)

Unscrew the two fixing screws at the top of the feed unit.



Open the hinged cover and remove the 'stop end' from the feed unit by removing the fixing screw.

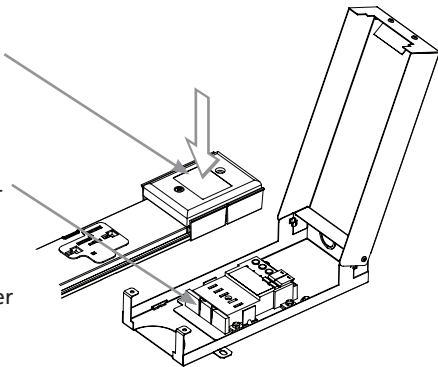


Ensure the fixing tabs are in position for fixing to the slab.

Check that the label information on the feed unit matches that on the track.

Align dovetails and push firmly down until track connector engages fully.

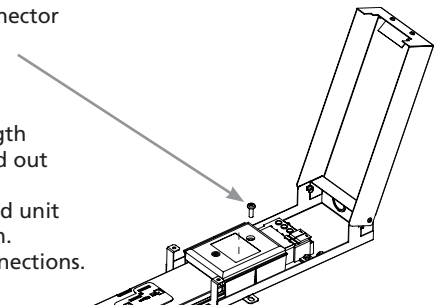
Note: Do not hammer or force connector into the infeed unit.



Secure the track connector with screw provided.

1. Position feed unit and align it and track length with the marked out run direction.
2. Screw down feed unit and track length.
3. Make cable connections.
4. Close the cover.

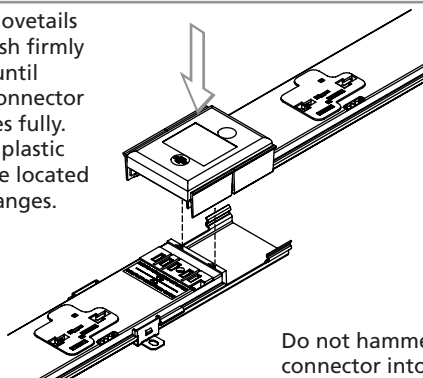
Note: The screw terminals for the supply cable must be tightened to a torque setting of 2.5Nm max.



2

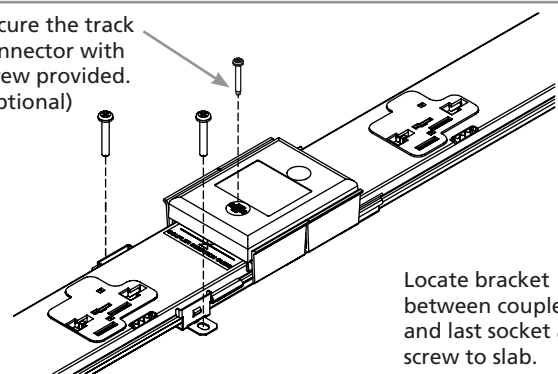
Track length connection (Track to track)

1. Align dovetails and push firmly down until track connector engages fully.
2. Ensure plastic clips are located over flanges.



Do not hammer or force connector into track.

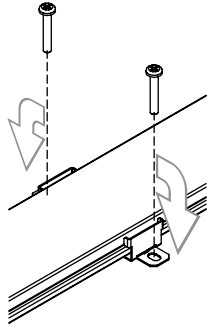
Secure the track connector with screw provided (optional).



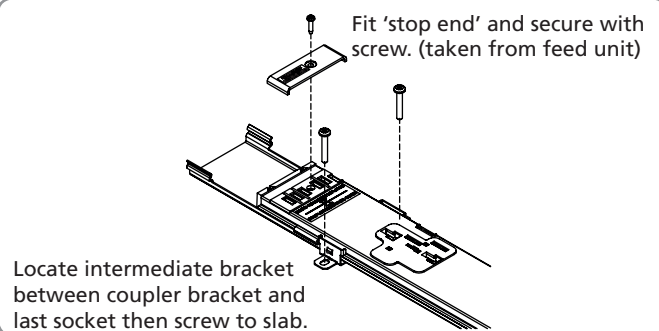
Locate bracket between coupler and last socket and screw to slab.

3 Track fixing

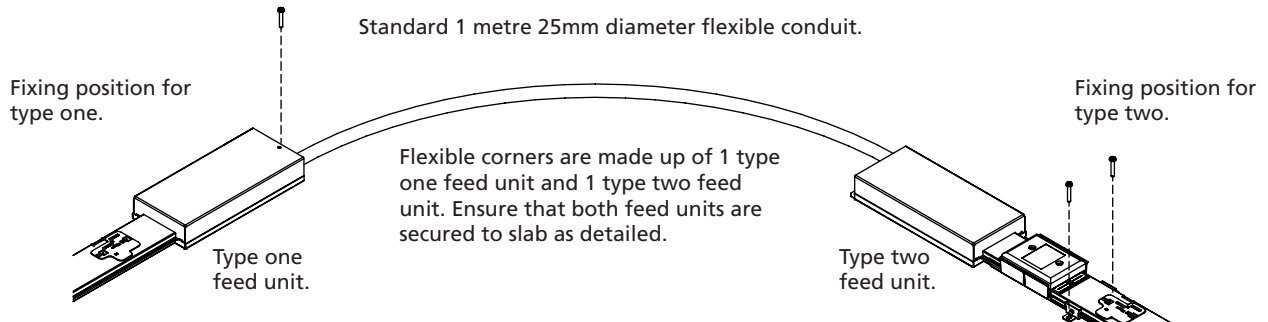
1. Position intermediate brackets as shown below. (pre-assembled to track)
2. Flip down tabs.
3. Screw bracket to slab.



4 Stop end

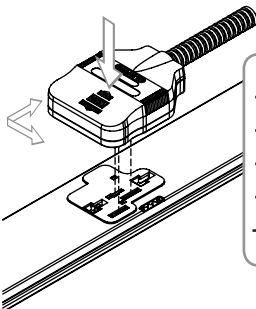


5 Flexible corners



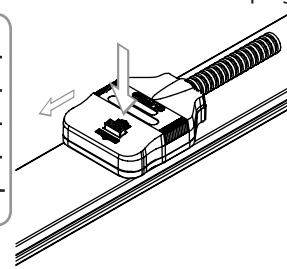
6 Tap off engagement/release

1. Align tap off pins with corresponding socket slots and push down to engage.
2. Maintain downward pressure to front of tap off and push back until button clicks upward to lock.



Tap off selection chart		
Track type	Socket colour	Tap off colour
Standard	White	White
Clean Earth	Red	Red
Auxiliary Earth	Black	Black

1. Press button to disengage.
2. Push plug forward to release.



The system should be installed and tested by a qualified electrician or other competent person in accordance with BS 7671:2008. (IEE Wiring Regulations)

Each circuit must be protected by a suitably rated fuse or circuit breaker in accordance with BS 7671:2008. (IEE Wiring Regulations)

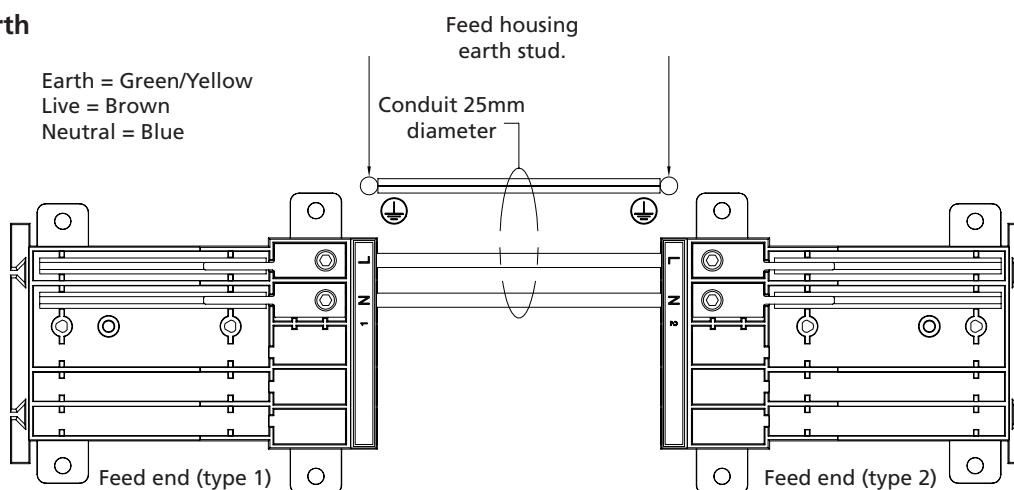
Where track runs or access floor boxes, that can be reached simultaneously, are supplied from different phases the system must carry warning labels as specified in Regulations 514.10.1 of BS 7671:2008. (IEE Wiring Regulations)

7

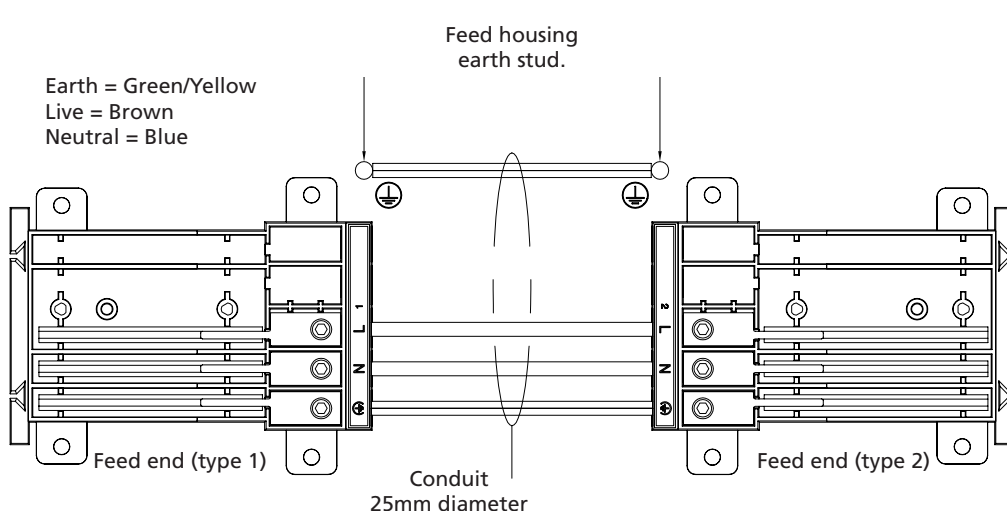
Wiring instructions

These additional instructions are intended for use in conjunction with steps 1-6 of the Betrak Installations Instruction sheet. Check that the kit form flexible corner unit is of the same type / configuration as the track run to which it is to be fitted. Secure the flexible conduit fittings to the feed unit housings using the lock rings provided. CMD recommend the use of 10mm² Tri-rated Cable to BS6231 within the flexible corner unit (feed unit terminals will accept cables up to 16mm² singly). Never run more than two load carrying conductors in a single conduit. Check that the flexible corner unit is correctly cabled to the appropriate diagram and is fully tested prior to installing to the track run. Ensure that the track run is isolated from the supply throughout the installation process. Install the complete flexible corner unit to the track run in accordance with steps 1-6 of the Betrak Installations Instruction sheet.

Standard Earth



Clean Earth

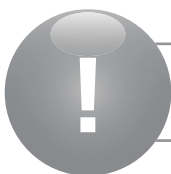
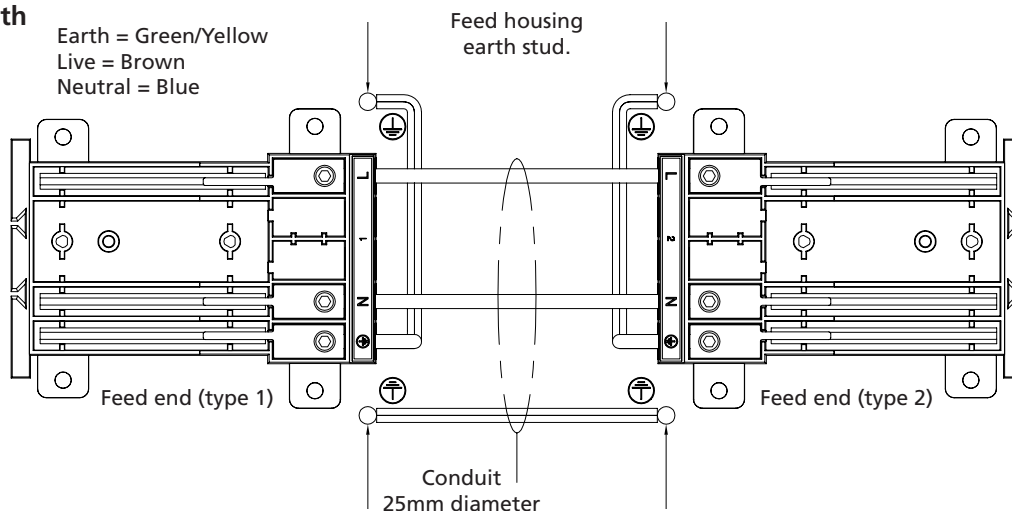


Betrak



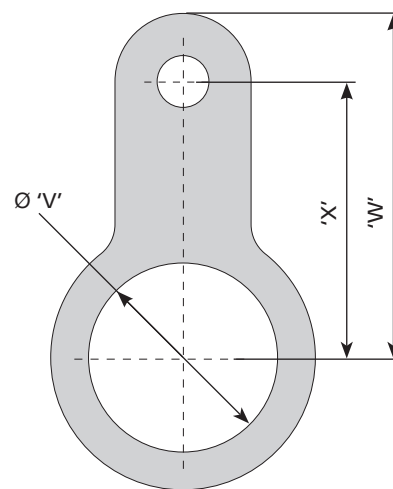
Auxiliary Earth

Earth = Green/Yellow
Live = Brown
Neutral = Blue



Earthing ring/tag

Note: The feed end has facility to accept a standard M25 SWA earthing ring/tag with fixing points "X" at 36.5mm.



Dimensions				
Gland Size 'V'	'Y'	'W'	'X'	'Z'
M25	6.85	45.5	36.5	1.5

The system should be installed and tested by a qualified electrician or other competent person in accordance with BS 7671:2008. (IEE Wiring Regulations)

Each circuit must be protected by a suitably rated fuse or circuit breaker in accordance with BS 7671:2008. (IEE Wiring Regulations)

Where track runs or access floor boxes, that can be reached simultaneously, are supplied from different phases the system must carry warning labels as specified in Regulations 514.10.1 of BS 7671:2008. (IEE Wiring Regulations)