

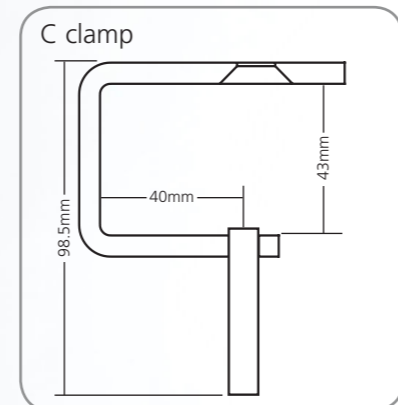
Cygnus® flat screen arm



Cygnus® is our award winning gas lift flat screen monitor arm featuring a unique blend of innovative engineering and contemporary styling. It offers all the benefits you would expect of a premium adjustable gas lift arm with the added benefit of an extensive range of useful features to further enhance its function making life in a busy working office more comfortable and aesthetically pleasing. Cygnus® is available in a range of colour options with a choice of gas struts for when you need a more heavy duty arm.

Cygnus Gas monitor arm

Mounting kit included

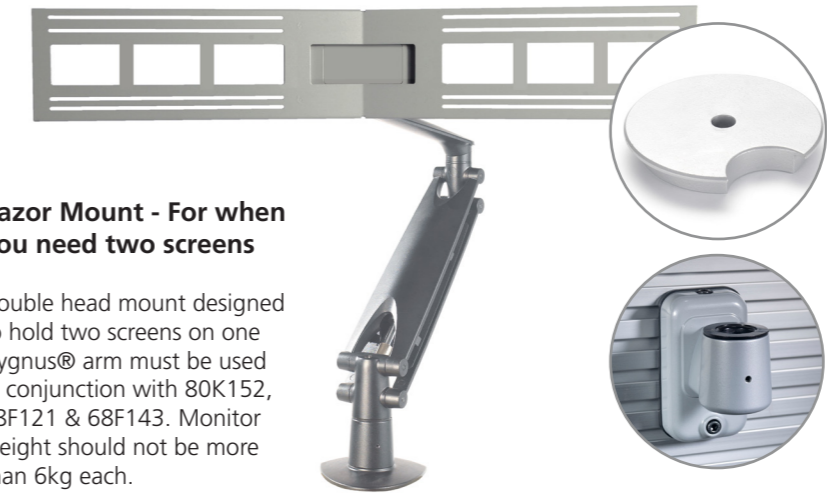


- An integral gas strut counterbalances the weight of the screen allowing fingertip adjustment to the desired working position
- The arm mechanism ensures the screen remains vertical throughout any adjustment
- The dual-position forearm can be set at 15° or 45° positions to extend the operational range of the arm giving a maximum height of 523mm and a maximum reach of 476mm to the centre of the VESA plate.
- The arm can fold flat into 80mm of space
- The tilt and rotate head features a quick-release mechanism with a locking feature as standard permitting quick and easy monitor detachment
- Arms are supplied with an industry standard 75mm / 100mm VESA mounting plate for attachment of monitors
- The arm features an integral cable management system
- Includes C clamp and Bolt Through fixing kit
- Product weight 5kg

Cygnus® flat screen arm



Cygnus® mounting options:



80mm Grommet Mount for Cygnus® arm
Designed to fit an 80mm desk grommet hole as an alternative to our standard C clamp and bolt through or fixing kits.

Razor Mount - For when you need two screens

Double head mount designed to hold two screens on one Cygnus® arm must be used in conjunction with 80K152, 68F121 & 68F143. Monitor weight should not be more than 6kg each.

Universal Slatwall Monitor Arm Bracket
This universal bracket is ideal when desk space is at a premium as it fits directly to the slatwall rather than to the desk surface.

Code	Colour	Description
68F017	Silver	Cygnus® gas lift arm with C clamp and Bolt Through fixing kits. Holds screen weights 3-10kg
68F120	Black	Cygnus® gas lift arm with C clamp and Bolt Through fixing kits. Holds screen weights 3-10kg
68F031	White	Cygnus® gas lift arm with C clamp and Bolt Through fixing kits. Holds screen weights 3-10kg
80K152	Silver	Cygnus® gas lift arm with C clamp and Bolt Through fixing kits. Holds screen weights 8-14kg
68F121	Black	Cygnus® gas lift arm with C clamp and Bolt Through fixing kits. Holds screen weights 8-14kg
68F143	White	Cygnus® gas lift arm with C clamp and Bolt Through fixing kits. Holds screen weights 8-14kg
68M074	Silver	Razor mount. Holds screen weight of 6kg each side. Arm not included
68M075	Black	Razor mount. Holds screen weight of 6kg each side. Arm not included
68M076	White	Razor mount. Holds screen weight of 6kg each side. Arm not included
440324	Silver	80mm grommet mount for Cygnus®. Arm not included
440326	Black	80mm grommet mount for Cygnus®. Arm not included
440325	White	80mm grommet mount for Cygnus®. Arm not included
440269	Silver	Universal slatwall bracket for Cygnus®. Arm not included
440506	Black	Universal slatwall bracket for Cygnus®. Arm not included
440380	White	Universal slatwall bracket for Cygnus®. Arm not included

