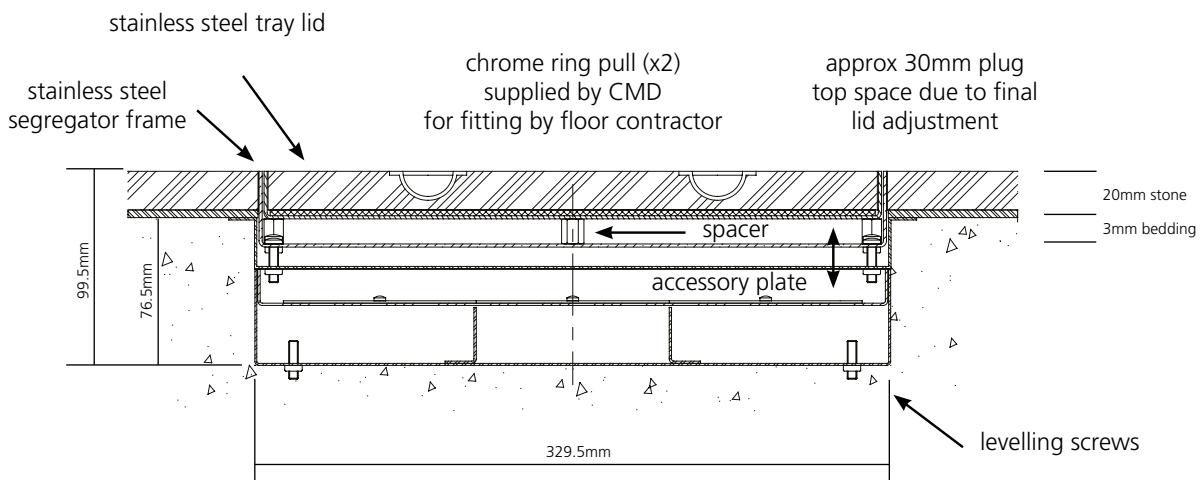
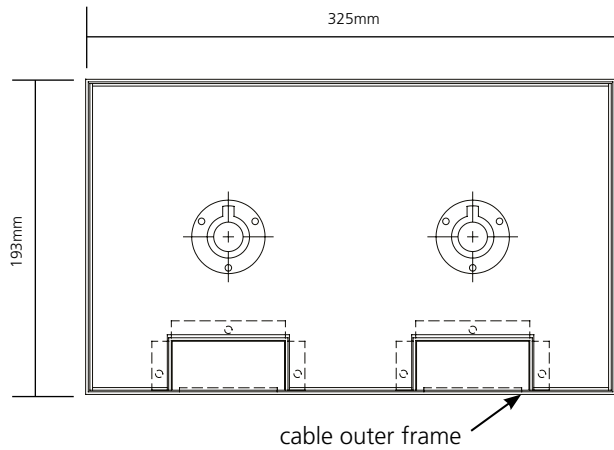


# Screed stainless steel floor boxes

3 or 4 compartment stainless steel access floor box comprises of three distinct assemblies: the box base, the mounting frame and purpose made stainless steel frame/lid assembly. The box base has 20mm and 25mm conduit knockouts in each long side and dividing fillets that are provided to separate services. The box base is manufactured from galvanised steel and comes complete with a grid to accept interchangeable accessories.

The mounting frame is manufactured from galvanised steel and has two fixing holes in each long side. The frame/lid tray assembly is manufactured from brushed stainless steel with straight edges and cable outlet brackets in the same material. The recess in the tray lid is 23mm deep. Maximum outside size of S/S trim is 325mm x 193mm and overall box depth is 99mm. The box is provided with jacking legs for levelling and adjustment – Screed option only.



## 3 Compartment

Code	Description
<b>Screed and Screwfix Unwired Floor box, Stainless Steel Trim</b>	
PP90375SS/23	Screw fix 75mm deep
PPS90375SS/23	Screed 75mm deep

## 4 Compartment

Code	Description
<b>Screed and Screwfix Unwired Floor box, Stainless Steel Trim</b>	
PP90475SS/23	Screw fix 75mm deep
PPS90475SS/23	Screed 75mm deep