

Vision Laptop Arm

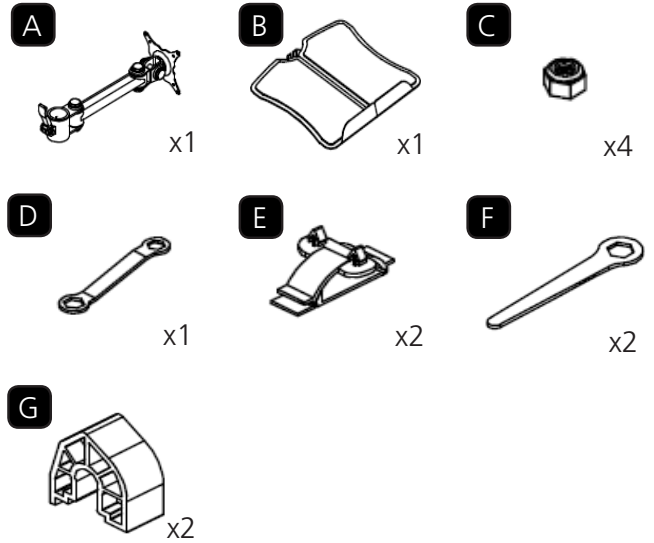
Description

Used in conjunction with the Vision Pole monitor arm, the laptop holder can be shifted to side or rotated around the pole and the height adjusted through a simple twist and lift mechanism lever. It features a non-slip tray which suits laptops up to 18 degrees and is set at an angle of 40 degrees for improved ergonomics.

Cleaning Storage & Maintenance

Small Parts	This product does contain small parts & should be kept out of reach from young children while being assembled
Service Components	Available to order
Cleaning & Maintenance	Damp cloth, no abrasives or solvents to be used on the cosmetic surfaces. Never use strong detergents or abrasive cleaners as may damage surface finish
Handling & Storage	Do not drop or expose to moisture

Contents



Assembly Instructions

