

# Reach and Reach<sup>HD</sup>- Information and Instruction Sheet

This stylish monitor arm, arguably one of the slimmest of its type on the market today, is available in silver, black and white and comes complete with quick release VESA, Top Fixing C clamp, Split Fixing C clamp, Through Desk Fixing and Rail Fixing as standard. The arm tension can be adjusted quickly using a simple Allen key system to support monitors ranging between 2-5kgs and 3-9kgs, which covers most popular brands.

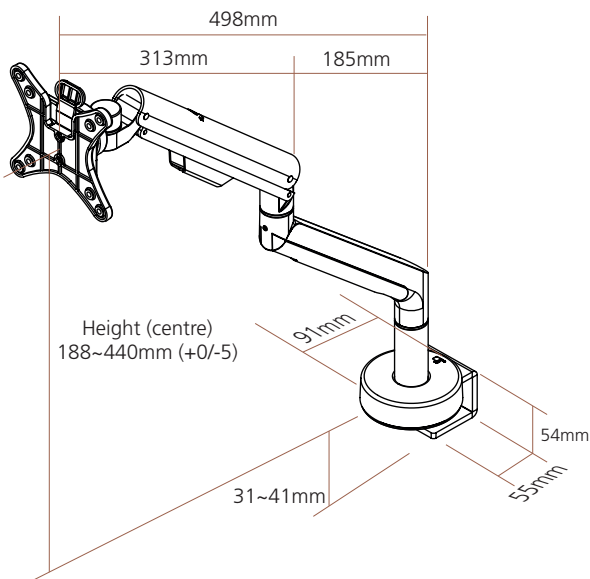


## Main features

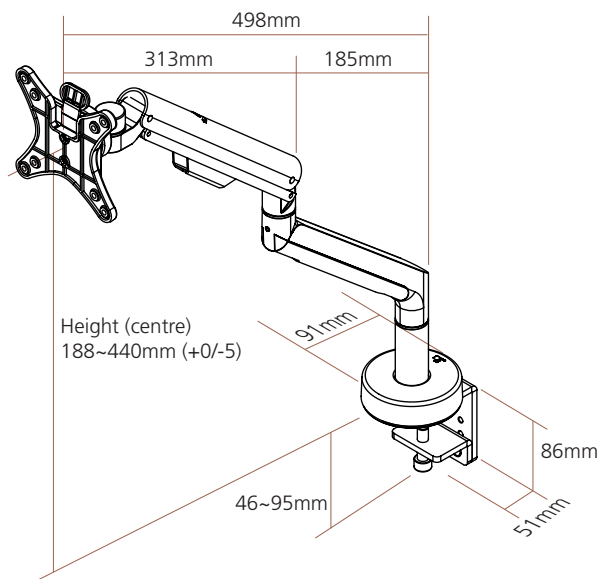
1. Choice of silver, black or white.  
Reach supports monitors up to 2-5kgs and Reach<sup>HD</sup> supports monitors 3-9kgs.
2. Available as a single and double arm.
3. Includes Top Fixing C clamp, Split Fixing C clamp, Through Desk Fixing and Rail Fixing as standard.
4. Comes with quick release VESA (black).
5. Fits a range of desk thicknesses from 10-40mm depending on the type of fixing required.
6. Includes cable management to secure cables to upper and lower arm sections.



## Dimensions



Reach and Reach<sup>HD</sup> Top Fixing Clamp



Reach and Reach<sup>HD</sup> Split Fixing Clamp

# Reach and Reach<sup>HD</sup>- Information and Instruction Sheet

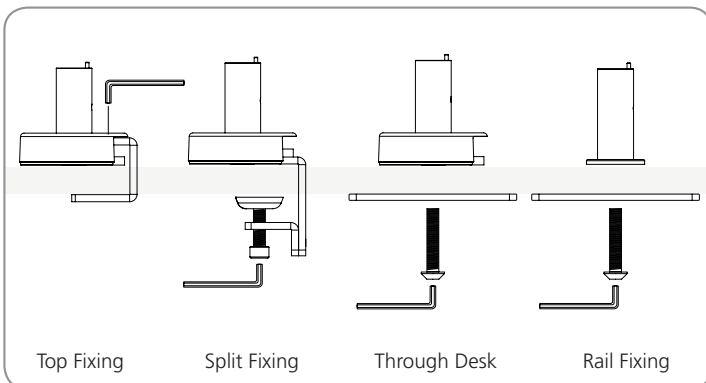
## Fixing Instructions

1. Reach and Reach<sup>HD</sup> come supplied with the top fixing C clamp as standard. Place the stem and spreader on the edge of the desk and secure using the top fixing bracket. Note: An EVA pad is included in the fixing kit to improve grip and protect the desk surface.
2. Remove the grub screw from the back of the stem and place the C clamp cover over the C clamp.
3. Install the lower arm section into the C clamp stem and replace the grub screw. Tighten as required.
4. Install the upper arm section into the lower arm section. Tighten the grub screw as required.
5. Attach the quick release VESA to the back of the monitor using the screws provided (12mm and 16mm screws are provided).
6. Attach the monitor to the arm by sliding the VESA into the head assembly until you hear a load click.
7. To adjust the arm, insert an Allen key into the adjustment nut and rotate clockwise for heavier monitors or counter clockwise for lighter monitors.

NB Scan the QR code below to see the installation video, which includes details of how to change the fixing options shown below.



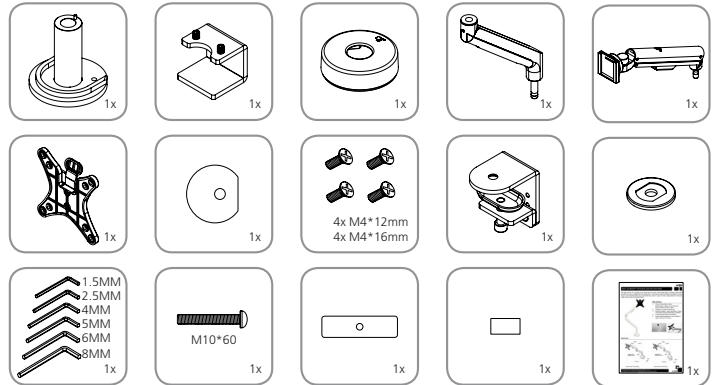
## Fixing Options



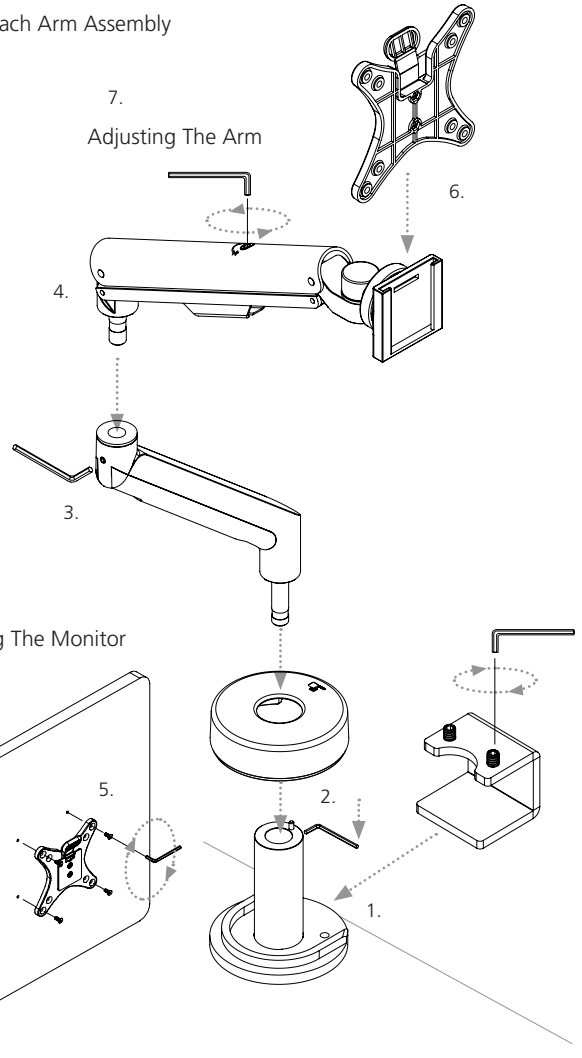
## Cleaning, Storage and Maintenance

Service Components	Available to order.
Cleaning & Maintenance	Dry cloth, no abrasives or solvents to be used on the product surface.
Handling & Storage	Do not drop.

## Contents



### Single Reach Arm Assembly



## Warning

Do not exceed the recommended maximum weight.  
We recommend using the pre-cut EVA pad to improve grip and protect the desk surface.