

Our newly designed Vision S monitor arm offers the ergonomic benefits of an assisted monitor arm but is much more affordable. Vision S can be installed at different heights to suit different environments with rotation and height adjustments being made by the individual users. The 32mm diameter pole allows a huge 330mm of height adjustment, while the design also allows a full 360 degrees of swivel movement with full head tilt to be positioned at the optimum eye level.

Vision S Monitor Arm

Features

- Each single arm can support monitors up to 6kg
- The maximum extension of each single arm is 460mm when measured from the centre of the Vision pole to the centre of the VESA mount
- The monitor can be attached using the 75mm or 100mm VESA compliant mount
- Cable management clips are supplied and can be attached to the arm as required
- Available in silver, black and white (Note: Our slatwall and wall mounted systems are only available in silver)

ergo
solutions

Improved Design

Newly designed quick release VESA compliant 75mm and 100mm

Height adjustment lever

32mm pole

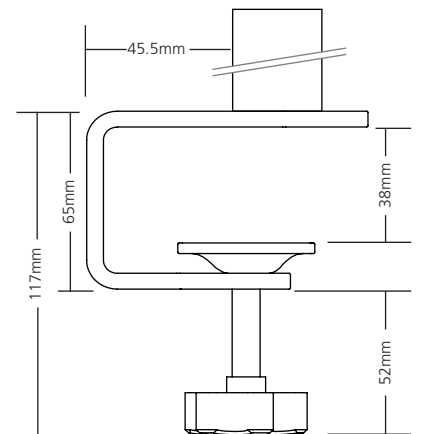
Arm supports monitors up to 6kg

Improved cable management clips

460mm maximum extension

Improved cable management clips

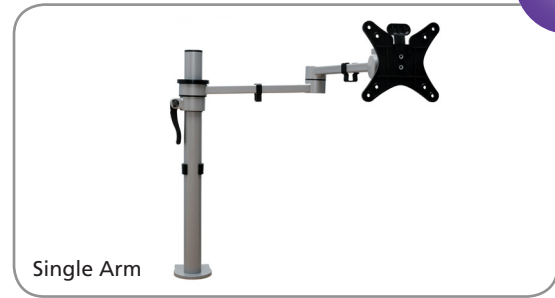
C clamp



AVAILABLE
MARCH 2017

Vision S Single Arm

Code	Colour	Description
68V001	Silver	Single Vision pole arm with C clamp, Bolt Through, and 80mm Grommet fixing kit. With black plastic trim
68V002	Black	Single Vision pole arm with C clamp, Bolt Through, and 80mm Grommet fixing kit. With black plastic trim
68V003	White	Single Vision pole arm with C clamp, Bolt Through, and 80mm Grommet fixing kit. With white plastic trim



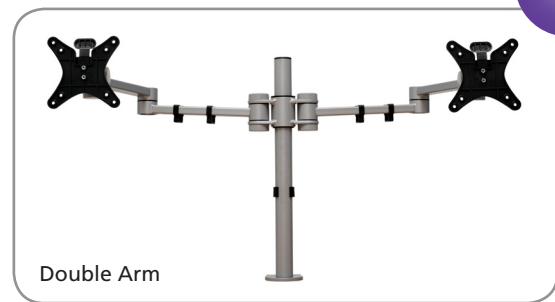
Improved Design

Our new Single Vision kit allows for a single screen to be mounted and adjusted as required. Arm supports monitors up to 6kg.

solutions
ergo

Vision S Double Arm

Code	Colour	Description
68V004	Silver	Double Vision pole arm with C clamp, Bolt Through, and 80mm Grommet fixing kit. With black plastic trim
68V005	Black	Double Vision pole arm with C clamp, Bolt Through, and 80mm Grommet fixing kit. With black plastic trim
68V006	White	Double Vision pole arm with C clamp, Bolt Through, and 80mm Grommet fixing kit. With white plastic trim

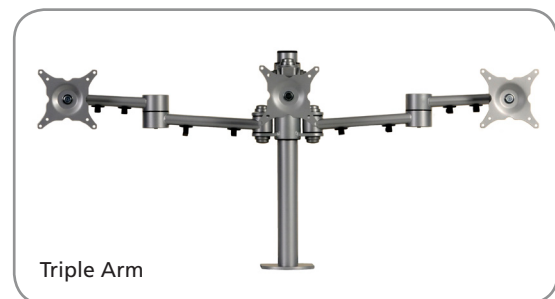


Improved Design

Our new Double Vision kit allows for two screens to be mounted and adjusted as required. Each VESA head supports monitors up to 6kg.

Vision Triple Arm

Code	Colour	Description
68S078	Silver	Triple Vision pole arm with C clamp, Bolt Through, and 80mm Grommet fixing kit. With black plastic trim
68S099*	Black	Triple Vision pole arm with C clamp, Bolt Through, and 80mm Grommet fixing kit. With black plastic trim
68S100*	White	Triple Vision pole arm with C clamp, Bolt Through, and 80mm Grommet fixing kit. With white plastic trim



Our Triple Vision kit allows for three screens up to 17" to be mounted and adjusted as required. Each VESA head supports monitors up to 8kg.

Vision Triple is not compatible with Vision S.

*Subject to order quantities and lead times.

The alignment of some double screen and multiscreen systems may vary with an accepted tolerance of +/- 5mm.

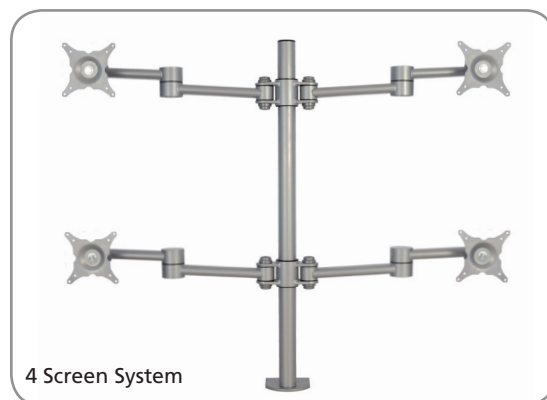
sales line: +44 (0)1709 829511

**AVAILABLE
MARCH 2017**

Monitor Arms

Vision 4 Screen Arm

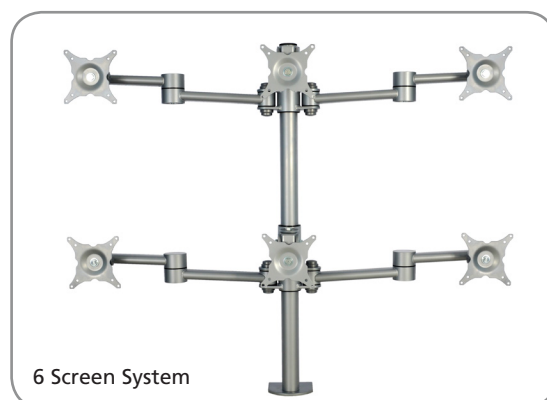
Code	Colour	Description
68S093	Silver	4 screen Vision pole arm with C clamp, Bolt Through, and 80mm Grommet fixing kit. With black plastic trim
68S094	Black	4 screen Vision pole arm with C clamp, Bolt Through, and 80mm Grommet fixing kit. With black plastic trim
68S095	White	4 screen Vision pole arm with C clamp, Bolt Through, and 80mm Grommet fixing kit. With white plastic trim



Our 4 screen Vision kit allows for four screens to be mounted and adjusted as required. Each arm supports monitors up to 8kg.

Vision 6 Screen Arm

Code	Colour	Description
68S096	Silver	6 screen Vision pole arm with C clamp, Bolt Through, and 80mm Grommet fixing kit. With black plastic trim
68S097*	Black	6 screen Vision pole arm with C clamp, Bolt Through, and 80mm Grommet fixing kit. With black plastic trim
68S098*	White	6 screen Vision pole arm with C clamp, Bolt Through, and 80mm Grommet fixing kit. With black plastic trim

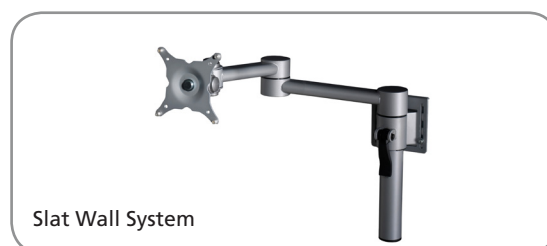


Our 6 screen Vision Kit allows for six screens up to 17" to be mounted adjusted as required. Each arm supports monitors up to 8kg.

*Subject to order quantities and lead times. The alignment of some double screen and multiscreen systems may vary with an accepted tolerance of +/- 5mm.

Vision Slatwall Arm

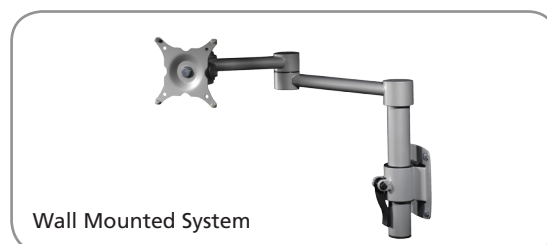
Code	Colour	Description
68S024	Silver	Single Vision pole arm with slatwall mounting and black plastic trim
68S106	White	Single Vision pole arm with slatwall mounting



Note: Arm supports monitors up to 8kg.

Vision Wall Mounted Arm

Code	Colour	Description
68S004	Silver	Single Vision pole arm with wall mounting kit and black plastic trim



Note: Arm supports monitors up to 8kg.

NOT COMPATIBLE WITH VISION 5

Vision S Laptop Support

Used in conjunction with the Vision pole arm the laptop holder can be positioned to the side or rotated around the pole and height can be adjusted with a simple release mechanism.

Features

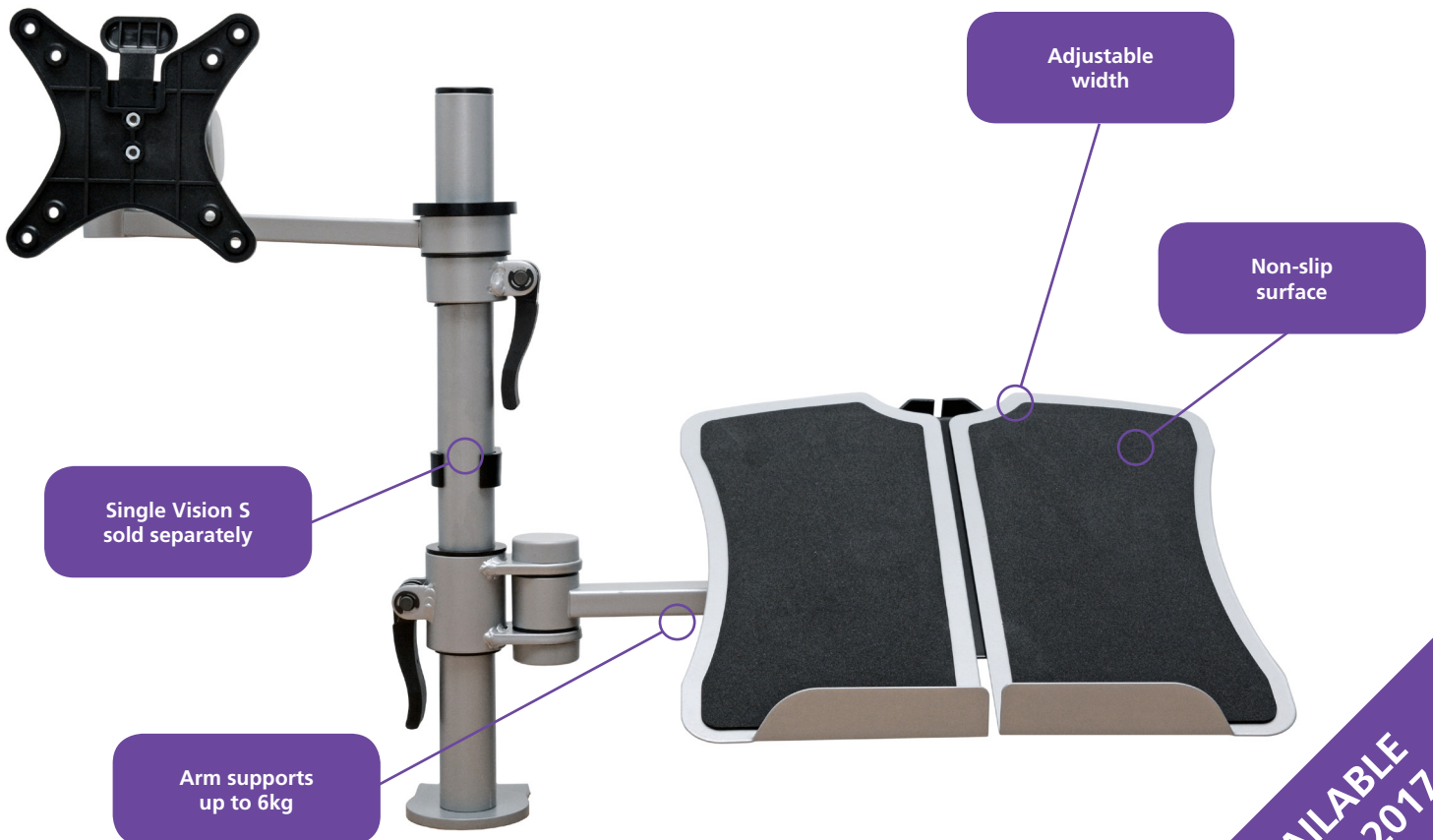
- Laptop holder will hold up to 6kg
- Tray features a non-slip surface with adjustable platforms for wider laptops
- 360° rotation around the Vision pole arm
- 330mm height adjustment range
- 90° pan adjustment
- 40° tilt adjustment range

Code	Colour	Description
68V007	Silver	Vision Laptop Support with black lever
68V008	Black	Vision Laptop Support with black lever
68V009	White	Vision Laptop Support with white lever

Improved Design



solutions
ergo



**AVAILABLE
APRIL 2017**

Monitor Arms

Vision Thin Client Holder

Used in conjunction with the Vision pole arm the thin client holder can support a variety of thin client sizes. The Vision pole arm can be supplied with an extended C clamp base if needed to allow the holder to be used with desk privacy screens - please ask for details.

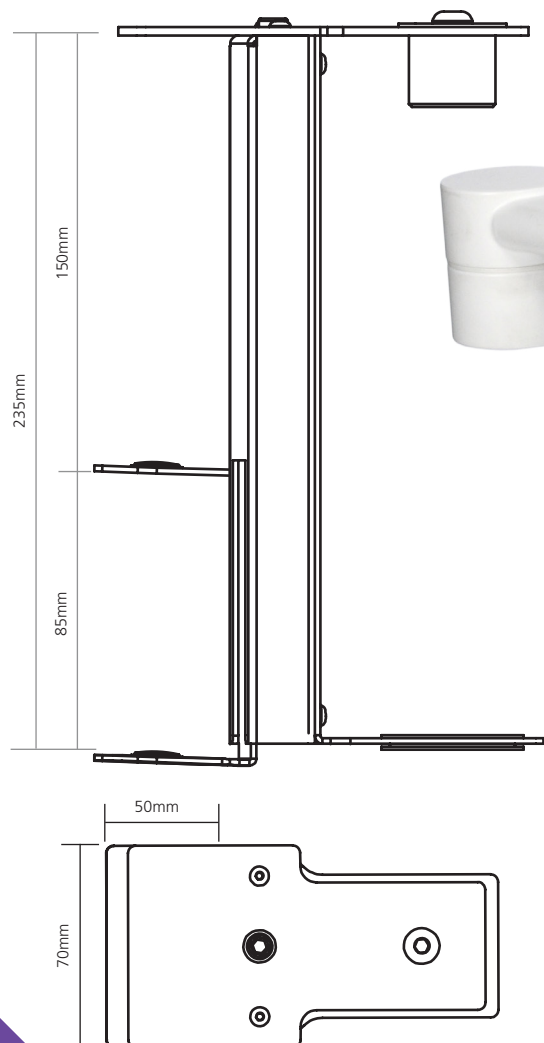
Designed to support thin clients with a minimum height of 150mm, a maximum height of 235mm, maximum width of 300mm and maximum depth of 60mm.

Features

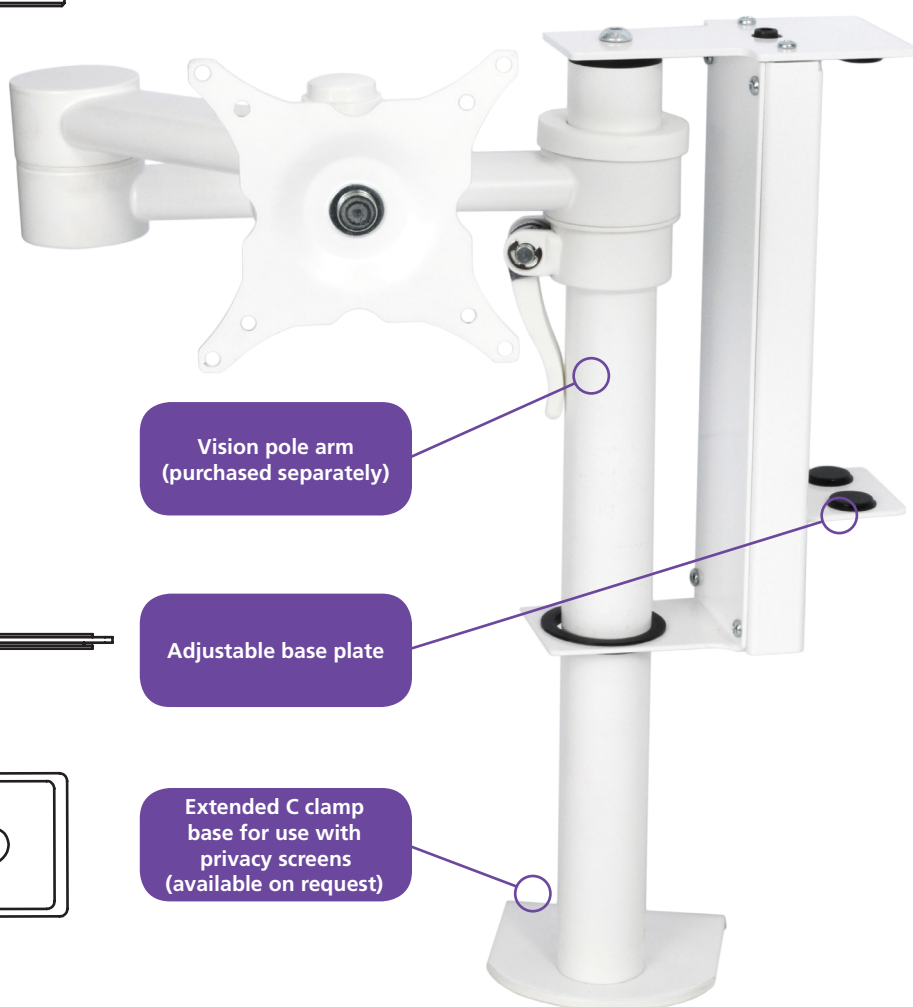
- Easy Fixing - Can be fitted to your existing Vision pole monitor arm or bought together for new installations
- Strong Construction - Constructed from 2mm powder coated steel making this an affordable and robust solution for thin client users
- Versatility - The Vision thin client holder is fully adjustable and can accommodate a wide range of thin client sizes

Code	Colour	Description
58R018	Silver	Vision Thin Client Holder
58R016	Black	Vision Thin Client Holder
58R017	White	Vision Thin Client Holder

Dimensions

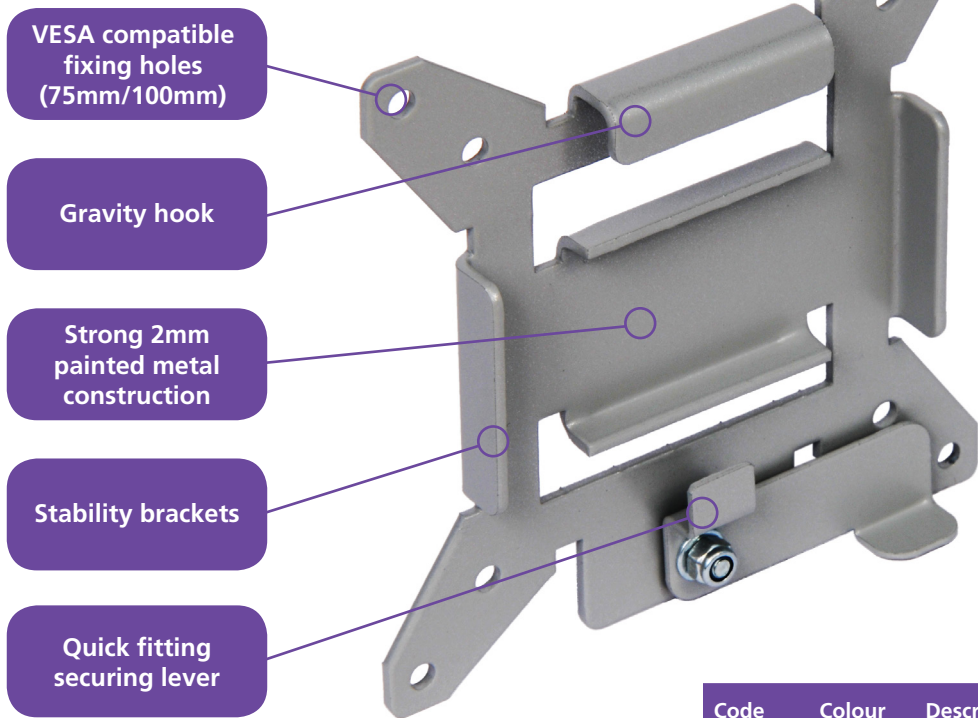


Vision Thin Client Holder is not compatible with Vision S.



Note: Our Vision pole arm is not included with our Vision thin client holder.

Vision Quick Release VESA



Vision Quick Release VESA is not compatible with Vision S.

Code	Colour	Description
68S071	Silver	Vision Quick Release VESA
68S101	Black	Vision Quick Release VESA
68S102	White	Vision Quick Release VESA

Vision Poles

Code	Colour	Description
68S059	Silver	Vision 400mm Pole with C clamp, Bolt Through and 80mm Grommet fixing kit with black cap
68S060	Black	Vision 400mm Pole with C clamp, Bolt Through and 80mm Grommet fixing kit with black cap
68S061	White	Vision 400mm Pole with C clamp, Bolt Through and 80mm Grommet fixing kit with black cap
68S062	White	Vision 400mm Pole with C clamp, Bolt Through and 80mm Grommet fixing kit with white cap
68S085	Silver	Vision 750mm Pole with C clamp, Bolt Through and 80mm Grommet fixing kit with black cap
68S086	Black	Vision 750mm Pole with C clamp, Bolt Through and 80mm Grommet fixing kit with black cap
68S087	White	Vision 750mm Pole with C clamp, Bolt Through and 80mm Grommet fixing kit with white cap

Vision Single Head

Code	Colour	Description
68S067	Silver	Vision Single Head
68S088*	Black	Vision Single Head
68S089*	White	Vision Single Head



Vision Single Head is not compatible with Vision S.

*Subject to order quantities and lead times.