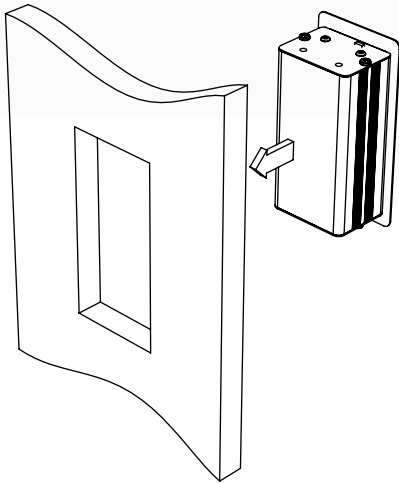
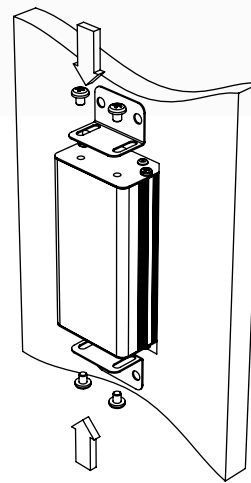


Step 1



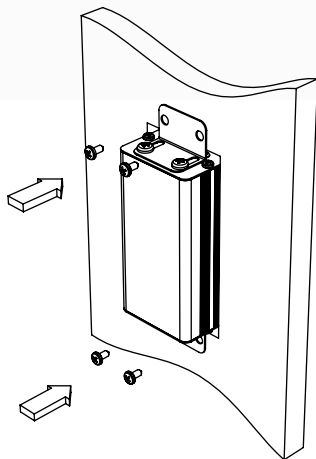
Remove the L shape fixing brackets (fig. 02) before placing the back of the module through the pre-cut hole in the furniture.

Step 2



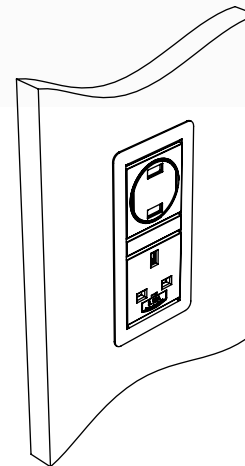
Fix the L shape bracket to the module using the fixing bracket screws (fig. 03). The brackets must be tight against the furniture surface before tightening.

Step 3



Secure the module to the inside of the furniture using a suitable fixing screws (not supplied). Take care not to over tighten the screws.

Step 4



Inspect the module to ensure a tight and consistent fit has been achieved.



Note: Please check the cut out sizes and surface thickness carefully before cutting your furniture.