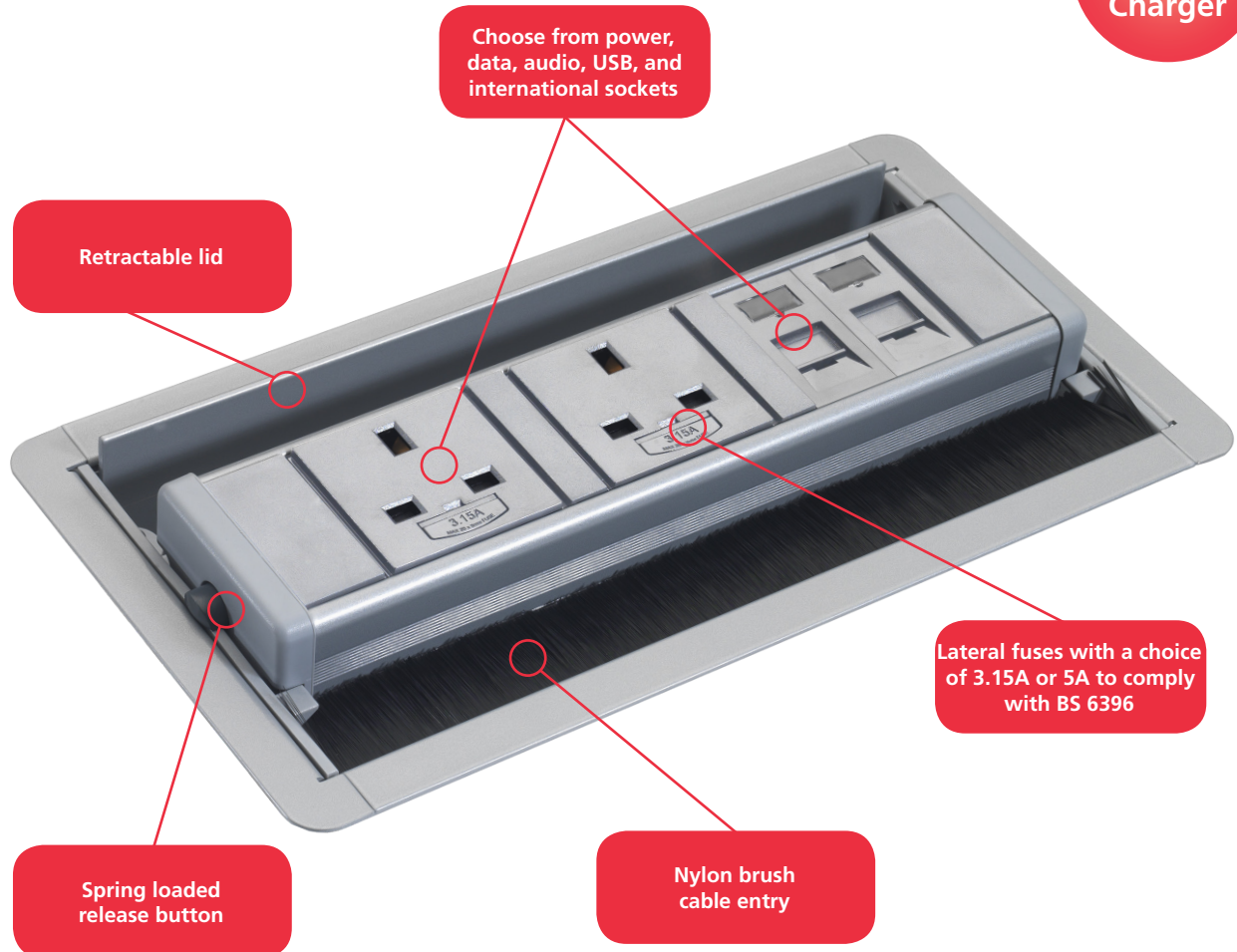


The Horizon through desk module offers accessible power and data sockets at the desk top and fits flush into the desktop. The Horizon's lid retracts to allow access from both sides, when opened it lifts and locks proud of the desk surface which makes it ideal for use in boardrooms or conference tables. Horizon is finished in Fusion Silver.

Horizon Power Module

Now
with 4.0A
Charger



Features

- Fusion silver finish with flame retardant ABS
- Grey socket fascias
- Module lifts and locks proud of the desk surface
- Lid retracts to allow access from both sides – suitable for conference tables
- Fitting from above, locks into position using two screws
- Spring loaded buttons lock module proud of desk surface and on release allows module to retract below desk surface
- Available with power and data configurations to suit individual client needs
- All UK power socket versions feature individual fuses
- Choice of 3.15A or 5A fuses are available to comply with BS 6396
- Unit complies with BS 5733
- All standard options are supplied with a 3m mains lead to 13A UK plug and 3m data leads where relevant



UK Code	Description
96P044	2 x power, 3m mains lead to 13A UK plug Product cutout dimensions: 134mm x 205mm*
96P045	4 x power, 3m mains lead to 13A UK plug Product cutout dimensions: 134mm x 330mm*
96U122	2 x power, 3m mains lead to 13A UK plug, 2 x RJ45 data Cat6, 3m data leads Product cutout dimensions: 134mm x 267mm*
96U123	4 x power, 3m mains lead to 13A UK plug, 2 x RJ45 data Cat6, 3m data leads Product cutout dimensions: 134mm x 391mm*
96H066	2 x power, 3m mains lead to 13A UK plug, 2 x RJ45 data Cat6, 1 x VGA, 1 x mini jack, 3m data and AV leads Product cutout dimensions: 134mm x 330mm*
96H067	2 x power, 3m mains lead to 13A UK plug, 2 x RJ45 data Cat6, 1 x VGA, 1 x mini jack, 1 X HDMI, 3m data and AV leads Product cutout dimensions: 134mm x 391mm*
96CP02	2 x power, 3m mains lead to 13A plug, 1 x Twin port 2Amp USB Charger, Product cutout dimensions: 134mm x 267mm*
96CP09	2 x power, 3m mains lead to 13A UK plug, 1 x Twin port 2Amp USB Charger, 2 x RJ45 data Cat6, 3m data leads Product cutout dimensions: 134mm x 330mm*
96CP10	2 x power, 3m mains lead to 13A plug, 1 x Twin port 4Amp USB Charger, Product cutout dimensions: 134mm x 267mm*
96CP11	2 x power, 3m mains lead to 13A UK plug, 1 x Twin port 4Amp USB Charger, 2 x RJ45 data Cat6, 3m data leads Product cutout dimensions: 134mm x 330mm*



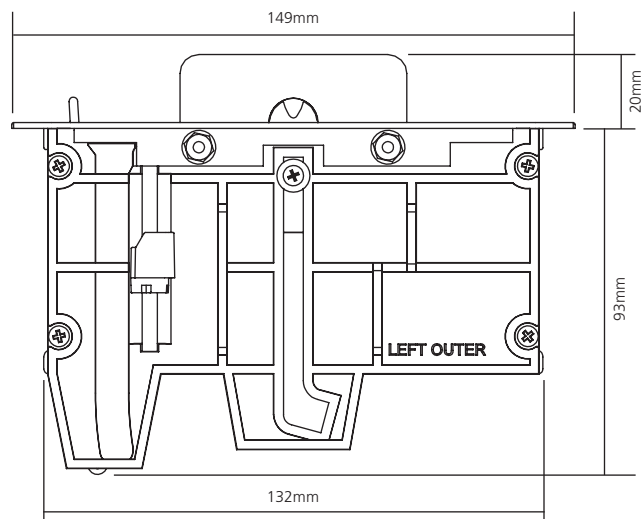
Build it your way

Please see page 39 for more information.



Manage your energy

Configure to allow energy to be monitored and controlled with Footprint. See page 156 for more details.



Note: CMD cannot accept any responsibility or liability for providing category 6 performance in products supplied. *Dimensions are meant as a guide and have a +/-1mm tolerance.

Fuses: Only accessible after removal of equipment plug. Lead lengths shown will be the conductor length and not the distance from the end of the module to the plug. For example, a 3m prewired power lead will be approximately 2.875m as 125mm will be internal for the termination, this is also applicable for data leads. Data fascias may be subject to colour change.

Cables: All modules are supplied with matching mains cables.

HDMI: CMD cannot accept any responsibility or liability for providing HDMI performance in products supplied over 5m in length.