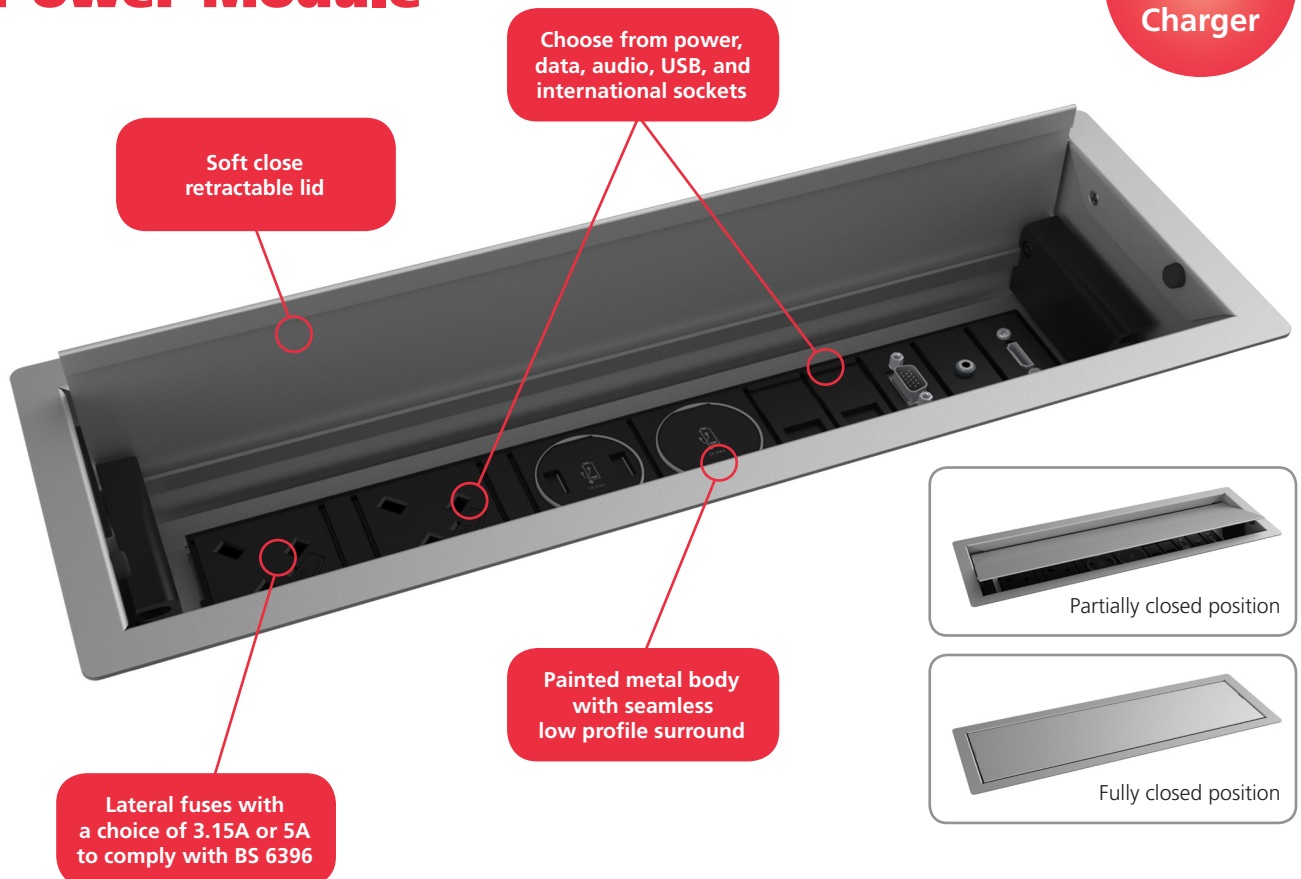


Reveal is the perfect solution for providing power and data sockets in boardrooms and office environments. The unit is available in a selection of finishes and features a soft opening lid mechanism to create a quality finish. The dual action lid mechanism also creates a generous shadow gap for cable exit whilst offering a seamless appearance when not in use.

## Reveal Power Module

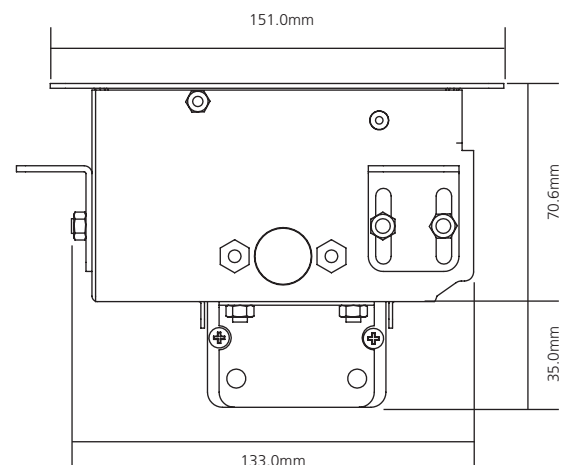
Now  
with 4.0A  
Charger



power  
modules

### Features

- Seamless low profile surround available in black, grey and white painted finish
- Available in two sizes; small is 341mm x 151mm (cut out size 328mm x 134mm) and large is 441mm x 151mm (cut out size 428mm x 134mm). A scaled cut out template is available on request
- Smooth action lid that retracts to allow access from both sides
- Fitting from above and locked into position using under desk fixings
- All UK power socket versions feature individual fuses
- Choice of 3.15A or 5A fuses are available to comply with BS 6396
- Unit complies with BS 5733
- All standard options are supplied with a 1m mains lead to 3 pole GST connector





UK Code	Schuko Code	Colour	Description
---------	-------------	--------	-------------

7800101	7800115	Black	2 x Power, 1 x Twin port 2Amp USB Charger, 1 x HDMI, 1m mains lead to 3 pole connector
---------	---------	-------	--

7800107	7800131	White	2 x Power, 1 x Twin port 2Amp USB Charger, 1 x HDMI, 1m mains lead to 3 pole connector
---------	---------	-------	--

7800103	7800117	Grey	2 x Power, 1 x Twin port 2Amp USB Charger, 1 x HDMI, 1m mains lead to 3 pole connector
---------	---------	------	--

7800104	7800118	Black	2 x Power, 1 x Twin port 2Amp USB Charger, 1x Charging Spool, 2 x Data, 1 x HDMI, 1 x VGA and 1 x Mini Jack, 1m mains lead to 3 pole connector
---------	---------	-------	--

7800108	7800132	White	2 x Power, 1x Twin port 2Amp USB Charger, 1x Charging Spool, 2 x Data, 1 x HDMI, 1 x VGA and 1 x Mini Jack, 1m mains lead to 3 pole connector
---------	---------	-------	---

7800106	7800120	Grey	2 x Power, 1x Twin port 2Amp USB Charger, 1 x Charging Spool, 2x Data, 1 x HDMI, 1 x VGA and 1 x Mini Jack, 1m mains lead to 3 pole connector
---------	---------	------	---

UK Code	Schuko Code	Colour	Description
---------	-------------	--------	-------------

7800109	7800121	Black	2 x Power, 1 x Twin port 4Amp USB Charger, 1 x HDMI, 1m mains lead to 3 pole connector
---------	---------	-------	--

7800129	7800133	White	2 x Power, 1 x Twin port 4Amp USB Charger, 1 x HDMI, 1m mains lead to 3 pole connector
---------	---------	-------	--

7800111	7800123	Grey	2 x Power, 1 x Twin port 4Amp USB Charger, 1 x HDMI, 1m mains lead to 3 pole connector
---------	---------	------	--

7800112	7800124	Black	2 x Power, 1 x Twin port 4Amp USB Charger, 1 x Charging Spool, 2 x Data, 1 x HDMI, 1 x VGA and 1 x Mini Jack, 1m mains lead to 3 pole connector
---------	---------	-------	---

7800130	7800134	White	2 x Power, 1 x Twin port 4Amp USB Charger, 1 x Charging Spool, 2x Data, 1 x HDMI, 1 x VGA and 1 x Mini Jack, 1m mains lead to 3 pole connector
---------	---------	-------	--

7800114	7800126	Grey	2 x Power, 1 x Twin port 4Amp USB Charger, 1 x Charging Spool, 2x Data, 1 x HDMI, 1 x VGA and 1 x Mini Jack, 1m mains lead to 3 pole connector
---------	---------	------	--



## Build it your way

Please see page 39 for more information.



## Manage your energy

Configure to allow energy to be monitored and controlled with Footprint. See page 156 for more details.

Note: CMD cannot accept any responsibility or liability for providing category 6 performance in products supplied. \*Dimensions are meant as a guide and have a +/-1mm tolerance.

Fuses: Only accessible after removal of equipment plug. Lead lengths shown will be the conductor length and not the distance from the end of the module to the plug. For example, a 3m prewired power lead will be approximately 2.875m as 125mm will be internal for the termination, this is also applicable for data leads. Data fascias may be subject to colour change.

Cables: All modules are supplied with black mains cables.

HDMI: CMD cannot accept any responsibility or liability for providing HDMI performance in products supplied over 5m in length.