

Luminaire Controller, External Mount

59-SCD1000-EMUK

This rugged, wireless module is a primary component of the Audacy® Wireless Controls system. These easily-installed devices can turn on, turn off, or provide 0-10V dimming.

How It Works

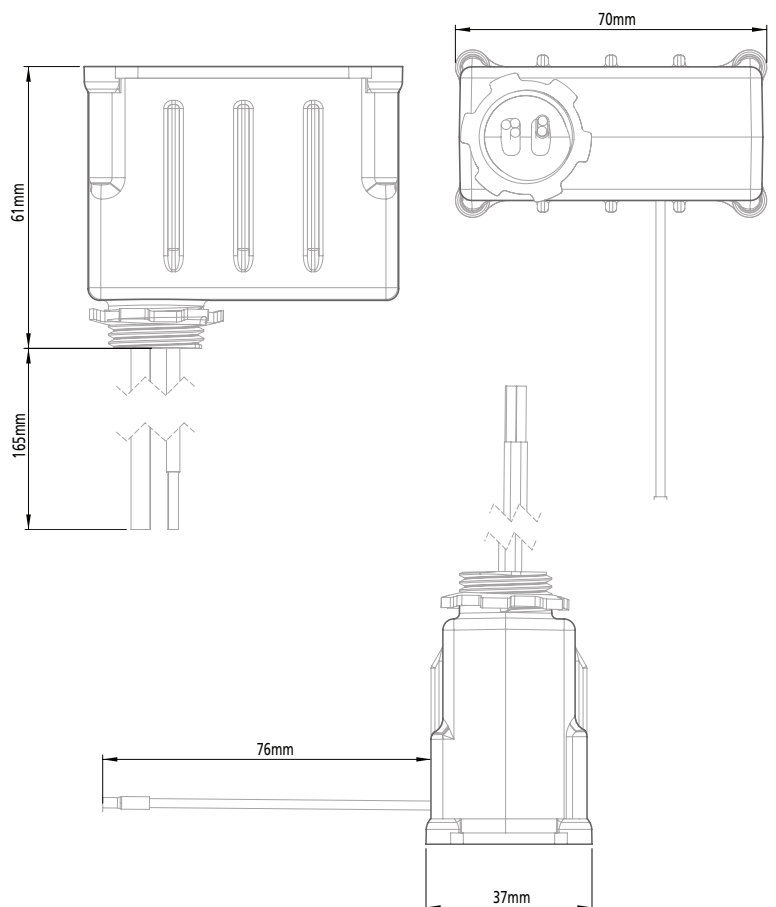
AC-powered Audacy Luminaire Controllers operate in the highly reliable 915 MHz spectrum. Each Luminaire Controller has conveniently wired terminations for quick and easy installation.

Because Time Is Money

Your electrical installer mounts this Luminaire Controller to a junction box or luminaire body through a knockout, and the wiring is done inside the box. A typical wired system is vastly more labour intensive and costly to install.

The Audacy Luminaire Controllers get your system up and operational faster and can be modified over time with incredible ease. Luminaire Controllers transmit 50 metres to the Gateway and with the repeater mode enabled, the range is extended even farther.

Audacy® is also available with DALI Broadcast for installation where IEC 62386 and IEC 60929 are specified.



The 59-SCD1000-EMUK external-mounted Luminaire Controller by CMD Ltd is an AC-powered, wireless lighting control device that is part of the Audacy Wireless Controls system. Operating in the highly reliable 915 MHz spectrum, the 59-SCD1000-EMUK is a module that can turn on, turn off or provide a 0-10V dimming signal to an electronic dimming ballast or LED driver. 59-SCD1000-EMUK quickly and easily installs using a knock-out on a junction box or fixture and provides the ability to control individual fixtures or groups of fixtures if desired.

Specification

Item	Description
Radio Frequency Range	915.9 - 917.3 MHz, Integrated Wire Antenna
Wireless Protocol	Proprietary based on IEEE 802.15.4
Encryption	Proprietary based on AES encryption
Regulatory Approvals	ETSI EN 300 220-2 v3.1.1* and ETSI EN 300 220-1 v3.1.1*; EN 55015:2013+A1:2015, EN 61547:2009 and ETSI EN 301 489-3 v2.1.0* (ETSI EN 301 489-1 v2.1.1) - (See Annex A for further details)
Rated RF Power Output (W)	18 dBm short duration, utilising both frequency hopping and direct sequence spread spectrum
Transmit Range	91.4m indoors to an Audacy Gateway or Luminaire Controller in a typical commercial building; extended range when repeater mode enabled
Dimming Protocol	0-10V (linear dimming profile, meets IEC60929 Annex E)
Input Voltage	240V AC
Rated Current	6A
Rated Load Wattage	1440W
Operating Temperature	10°C to 70°C
Installation Environment	Indoor use only
Mounting	Directly to junction box or fixture via 12.7mm knockout
Dimming Wire Placement	Within nipple for internal connection (linear dimming profile)
Colour	Black
Dimensions	69.6mm x 61.5mm x 106.7mm, antenna fully extended
Weight	130.4g
Warranty	5 year
LVD Compliance	BS EN 60669-2-1
EMC Compliance	BS EN 55015, BS EN 61547 & ETSI EN 301 489-3 V2.1.0 (ETSI EN 301 489-1 V2.1.1)
Radio Compliance	ETSI EN 300 220-2 v3.1.1* and ETSI EN 300 220-1 v3.1.1

Code	Description
59-SCD1000-EMUK	Luminaire Controller, External-Mount