

Wall-Mount Motion Sensor

59-VSW1300UK

Using our exclusive maintenance-free technology, the Audacy® Motion Sensors wirelessly detect occupancy and/or vacancy to adjust lighting based on preferences programmed into your Audacy Interface.

How It Works

The Audacy Wall-Mount Motion Sensors detect movement via sensitive infrared technology and then relay commands – based on intervals of absence or activity – to system-enabled fixtures.

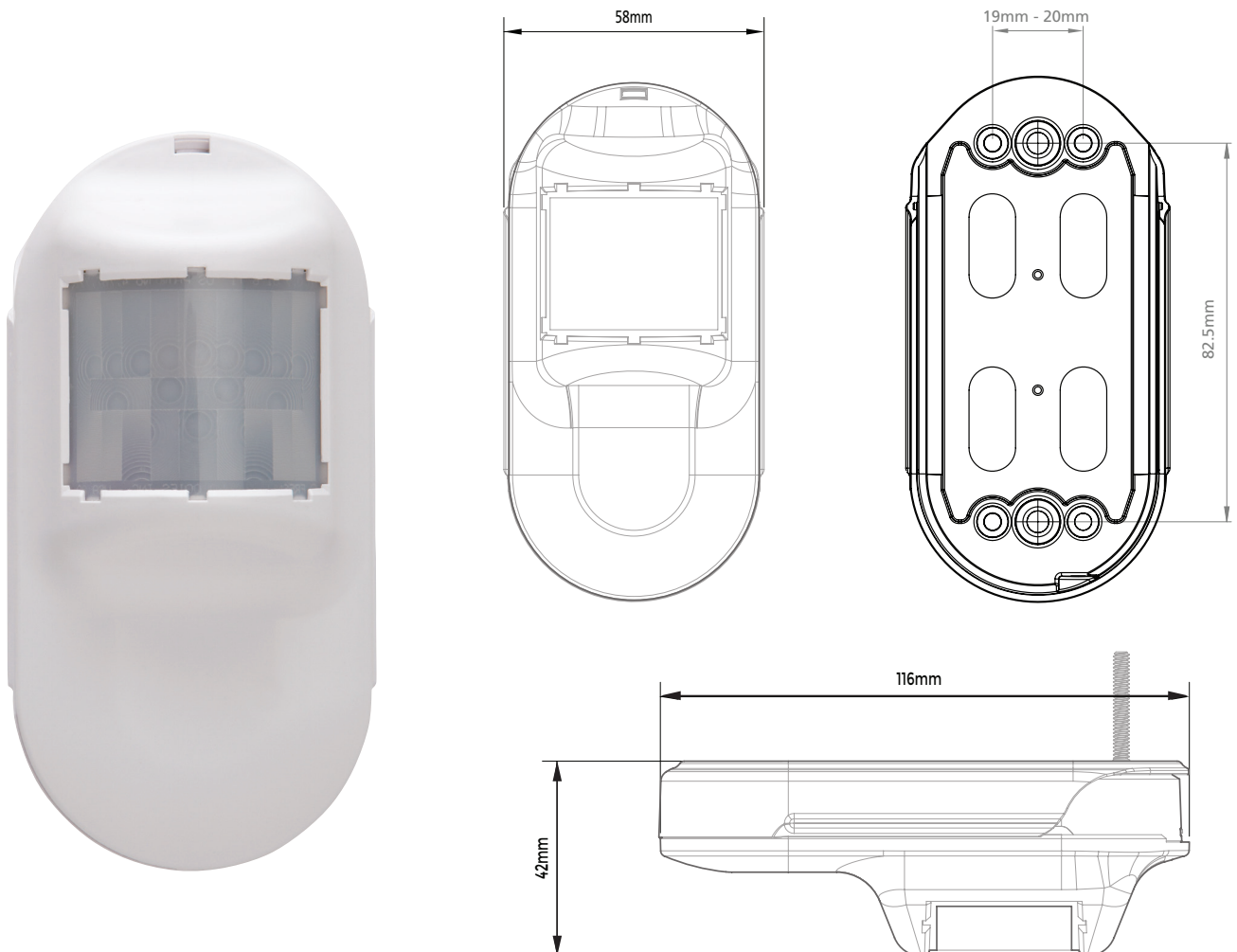
Operating in the highly reliable 915 MHz spectrum, the Wall-Mount versions of the Audacy Motion Sensors requires no wiring and can be placed anywhere.

People Move. Light Should Too.

Your inputs to the Audacy Interface inform the system that determines which groups of light fixtures – equipped with Audacy Luminaire Controllers – can turn off/on, dim or brighten based on employee migration throughout the day.

Because Time Is Money

As with all Audacy Wireless Controls system components, Audacy Wall-Mount Motion Sensors vastly reduce installation time and costs versus typical wired system alternatives. And you have absolute flexibility in placement because there are no wires to run.



The 59-VSW1300UK Wall-Mount Motion Sensor by CMD Ltd is a battery-powered, wall-mounted, passive infrared motion sensor that is part of the Audacity® Wireless Controls system. It can be used to detect occupancy and/or vacancy, and turn on, turn off or dim lights based on preferences. Operating in the highly reliable 915 MHz spectrum, the 59-VSW1300UK requires no wiring, has a 25-year battery life, and wirelessly sends commands to control light fixtures equipped with Audacity Luminaire Controllers. Since it is not hard-wired, the 59-VSW1300UK can be mounted virtually anywhere a motion sensor is desired, for convenience or coverage.

Specification

Item	Description
Radio Frequency Range	915.9 - 917.3 MHz, Internal Antenna
Wireless Protocol	Proprietary based on IEEE 802.15.4
Encryption	Proprietary based on AES encryption
Regulatory Approvals	ETSI EN 300 220-2 v3.1.1* and ETSI EN 300 220-1 v3.1.1*; EN 55015:2013+A1:2015, EN 61547:2009 and ETSI EN 301 489-3 v2.1.0* (ETSI EN 301 489-1 v2.1.1) - (See Annex A for further details)
Rated RF Power Output (W)	2 dBm short duration, utilising both frequency hopping and direct sequence spread spectrum
Transmit Range	30.5m indoors to an Audacity Gateway or Luminaire Controller in a typical commercial building; extended range when repeater mode enabled
Power	25+ year Li battery, non-replaceable
Operating Temperature	10°C to 32°C
Sensor Technology	Passive Infrared
Installation Environment	Indoor use only
Mounting	2 bracket mounting holes (See mechanical drawing for dimensions)
Colour	White
Dimensions	115.82mm x 58.17mm x 24.42mm
Weight	85g
Warranty	5 year
LVD Compliance	BS EN 61010-1 / IEC 61010-1
EMC Compliance	BS EN 55015, BS EN 61547 & ETSI EN 301 489-3 V2.1.0 (ETSI EN 301 489-1 V2.1.1)
Radio Compliance	ETSI EN 300 220-2 v3.1.1* and ETSI EN 300 220-1 v3.1.1

Code	Description
59-VSW1300UK	Audacity® Wall-Mount Motion Sensor

Ceiling-Mount Motion Sensor

59-VSC1303UK

Using our exclusive maintenance-free technology, the Audacy® Motion Sensors wirelessly detect occupancy and/or vacancy to adjust lighting based on preferences programmed into your Audacy Interface.

How It Works

The Audacy Ceiling-Mount Motion Sensors detect movement via sensitive infrared technology and then relay commands – based on intervals of absence or activity – to system-enabled fixtures.

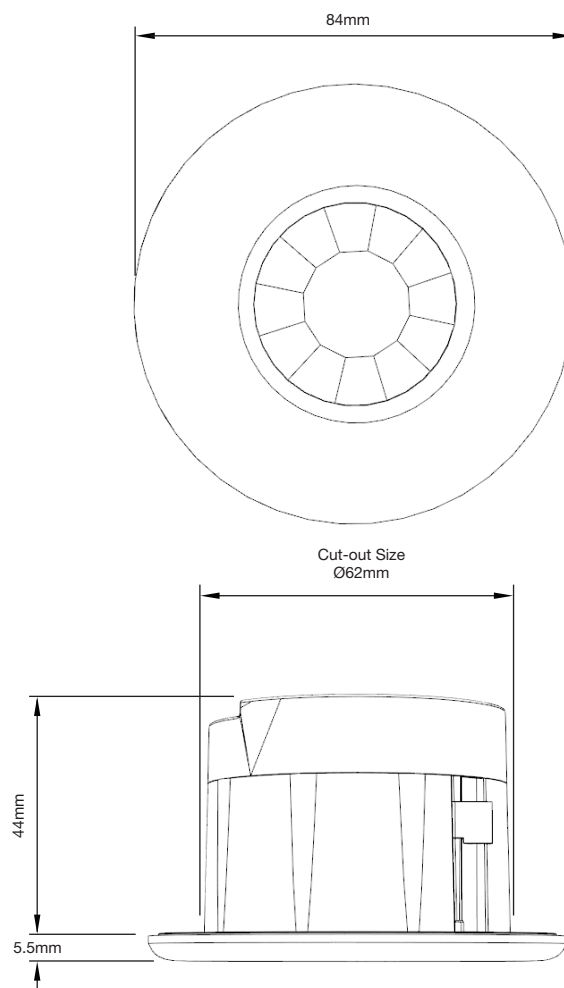
Operating in the highly reliable 915 MHz spectrum, the Ceiling-Mount versions of the Audacy Motion Sensors require no wiring and can be placed anywhere.

People Move. Light Should Too.

Your inputs to the Audacy Interface inform the system that determines which groups of light fixtures – equipped with Audacy Luminaire Controllers – can turn off/on, dim or brighten based on employee migration throughout the day.

Because Time Is Money

As with all Audacy Wireless Controls system components, Audacy Ceiling Mount Motion Sensors vastly reduce installation time and costs versus typical wired system alternatives. And you have absolute flexibility in placement because there are no wires to run.



The 59-VSC1303UK Ceiling-Mount Motion Sensor by CMD Ltd is a battery-powered, passive infrared motion sensor that is part of the Audacity® Wireless Controls system. It can be used to detect occupancy and/or vacancy, and turn on, turn off or dim lights based on preferences. Operating in the highly reliable 915 MHz spectrum, the 59-VSC1303UK requires no wiring, has a 25-year battery life, and wirelessly sends commands to control light fixtures equipped with Audacity Luminaire Controllers. Since it is not hard-wired, the 59-VSC1303UK can be mounted virtually anywhere a motion sensor is desired, for convenience or coverage.

Specification

Item	Description
Radio Frequency Range	915.9 - 917.3 MHz, Internal Antenna
Wireless Protocol	Proprietary based on IEEE 802.15.4
Encryption	Proprietary based on AES encryption
Regulatory Approvals	ETSI EN 300 220-2 v3.1.1* and ETSI EN 300 220-1 v3.1.1*; EN 55015:2013+A1:2015, EN 61547:2009 and ETSI EN 301 489-3 v2.1.0* (ETSI EN 301 489-1 v2.1.1) - (See Annex A for further details)
Rated RF Power Output (W)	2 dBm short duration, utilising both frequency hopping and direct sequence spread spectrum
Transmit Range	30.5m indoors to an Audacity Gateway or Luminaire Controller in a typical commercial building; extended range when repeater mode enabled
Coverage Area	46.5 m ²
Power	25+ year Li battery, non-replaceable
Operating Temperature	10°C to 32°C
Sensor Technology	Passive Infrared
Installation Environment	Indoor use only
Mounting	2 bracket mounting holes (See mechanical drawing for dimensions)
Colour	White
Dimensions	115.82mm x 58.17mm x 24.13mm
Weight	85g
Warranty	5 year
LVD Compliance	BS EN 61010-1 / IEC 61010-1
EMC Compliance	BS EN 55015, BS EN 61547 & ETSI EN 301 489-3 V2.1.0 (ETSI EN 301 489-1 V2.1.1)
Radio Compliance	ETSI EN 300 220-2 v3.1.1* and ETSI EN 300 220-1 v3.1.1

Code	Description
59-VSC1303UK	Audacity® Ceiling-Mount Motion Sensor

Ceiling-Mount Motion Sensor

COVERAGE PATTERN

