

One piece 'fast fit' (20 series) - One piece back box.

Individual 'fast fit' (20A series) - Individual box bases for each compartment.

Screed/Screw fixed/Stainless (99 series) - Screed and stainless steel boxes available. Stainless suited for more prestigious spaces e.g. reception areas.

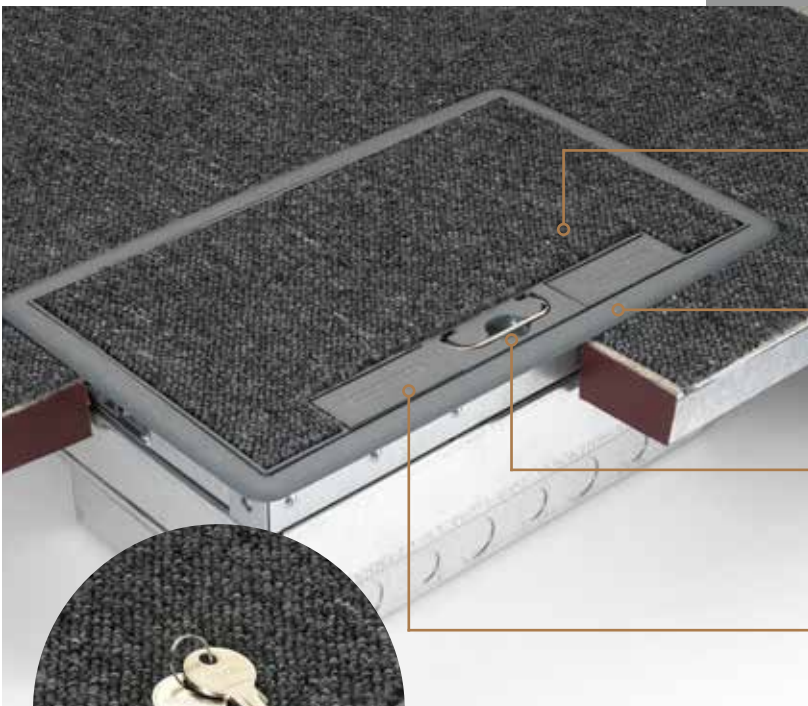


Fully configurable floor box

- Wide range of accessory plates
- Can be prewired with Betatrak® tap offs
- Deeper versions available

Fast fit advantages

- Quick removal with services fitted
- Installation tolerance of -0/+3mm
- Fixes to floor thicknesses of 15-50mm



Carpet inlay

- 6.5mm

Blue/grey moulded polycarbonate ABS

- RAL 7031

Handle

- Self Closing

Robust cable outlet

- Designed with 'Anti-Trip' facility

Optional lockable lid

Added security allows access by competent personnel

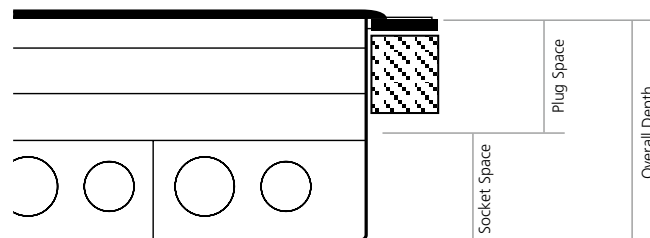
Floor Boxes

One Piece

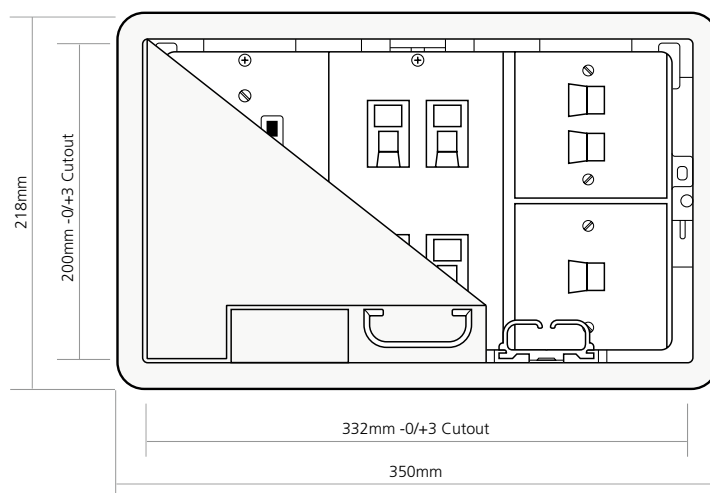
Our one piece 20 Series 'Fast Fit' access floor box has been designed to meet the demands of the modern day working environment.



- Fast and simple tool free fixing mechanism
- Easy access for carpet fitting: the lid and trim is removed in seconds
- Quick release lid for easy access to accessory plates
- Can be pre-fitted with socket outlet and tap off unit
- Self closing lid
- Non-trip cable outlet brackets
- 3 and 4 compartment boxes are the same overall size. Compartment sizes:
 - 3 compartment: 100mm x 175mm
 - 4 compartment: 75mm x 175mm
- 85mm standard depth (other sizes available, see table opposite)



Overall Depth	Plug Space	Socket Space
85mm	30mm	45mm
100mm	45mm	45mm
115mm	60mm	45mm
130mm	75mm	45mm



power distribution

3 Compartment

Code	Description
One Piece Unwired Floor box, Grey Trim	
PP20385G	Standard 'Fast Fit' 85mm deep
PP20310G	Standard 'Fast Fit' 100mm deep
PP20311G	Standard 'Fast Fit' 115mm deep
PP20313G	Standard 'Fast Fit' 130mm deep
Add Suffix /KL	Additional overcost to fit a Key Lock to a floor box lid

4 Compartment

Code	Description
One Piece Unwired Floor box, Grey Trim	
PP20485G	Standard 'Fast Fit' 85mm deep
PP20410G	Standard 'Fast Fit' 100mm deep
PP20411G	Standard 'Fast Fit' 115mm deep
PP20413G	Standard 'Fast Fit' 130mm deep
Add Suffix /KL	Additional overcost to fit a Key Lock to a floor box lid

Standard Earth One piece pre-wired floor box c/w 3m or 5m 32A unfused Betatrak® tap off

3 Compartment

Code	Description
3m Standard Earth White Plug	
P20385G/BS3U104	1 x Twin 13A Switched Socket
P20385G/BS3U207	2 x Twin 13A Switched Sockets
P20385G/BS3U113	1 x Twin 13A Switched RCD Socket
P20385G/BS3U221	2 x Twin 13A Switched RCD Sockets
5m Standard Earth White Plug	
P20385G/BS5U102	1 x Twin 13A Switched Socket
P20385G/BS5U204	2 x Twin 13A Switched Sockets
P20385G/BS5U108	1 x Twin 13A Switched RCD Socket
P20385G/BS5U213	2 x Twin 13A Switched RCD Sockets

Clean Earth One piece pre-wired floor box c/w 3m or 5m 32A unfused Betatrak® tap off

3 Compartment

Code	Description
3m Clean Earth Red Plug	
P20385G/BC3U101	1 x Twin 13A Switched Socket
P20385G/BC3U205	2 x Twin 13A Switched Sockets
P20385G/BC3U110	1 x Twin 13A Switched RCD Socket
P20385G/BC3U220	2 x Twin 13A Switched RCD Sockets
5m Clean Earth Red Plug	
P20385G/BC5U103	1 x Twin 13A Switched Socket
P20385G/BC5U203	2 x Twin 13A Switched Sockets
P20385G/BC5U108	1 x Twin 13A Switched RCD Socket
P20385G/BC5U207	2 x Twin 13A Switched RCD Sockets

Auxiliary Standard Earth One piece pre-wired floor box c/w 3m or 5m 32A unfused Betatrak® tap off

3 Compartment

Code	Description
3m Auxiliary Earth Black Plug	
P20385G/BA3U102	1 x Twin 13A Switched Socket
P20385G/BA3U203	2 x Twin 13A Switched Sockets
P20385G/BA3U105	1 x Twin 13A Switched RCD Socket
P20385G/BA3U206	2 x Twin 13A Switched RCD Sockets
5m Auxiliary Earth Black Plug	
P20385G/BA5U101	1 x Twin 13A Switched Socket
P20385G/BA5U202	2 x Twin 13A Switched Sockets
P20385G/BA5U102	1 x Twin 13A Switched RCD Socket
P20385G/BA5U204	2 x Twin 13A Switched RCD Sockets

4 Compartment

Code	Description
3m Standard Earth White Plug	
P20485G/BS3U102	1 x Twin 13A Switched Socket
P20485G/BS3U204	2 x Twin 13A Switched Sockets
P20485G/BS3U103	1 x Twin 13A Switched RCD Socket
P20485G/BS3U209	2 x Twin 13A Switched RCD Sockets
5m Standard Earth White Plug	
P20485G/BS5U101	1 x Twin 13A Switched Socket
P20485G/BS5U201	2 x Twin 13A Switched Sockets
P20485G/BS5U102	1 x Twin 13A Switched RCD Socket
P20485G/BS5U203	2 x Twin 13A Switched RCD Sockets

4 Compartment

Code	Description
3m Clean Earth Red Plug	
P20485G/BC3U100	1 x Twin 13A Switched Socket
P20485G/BC3U202	2 x Twin 13A Switched Sockets
P20485G/BC3U102	1 x Twin 13A Switched RCD Socket
P20485G/BC3U207	2 x Twin 13A Switched RCD Sockets
5m Clean Earth Red Plug	
P20485G/BC5U101	1 x Twin 13A Switched Socket
P20485G/BC5U201	2 x Twin 13A Switched Sockets
P20485G/BC5U103	1 x Twin 13A Switched RCD Socket
P20485G/BC5U203	2 x Twin 13A Switched RCD Sockets

4 Compartment

Code	Description
3m Auxiliary Earth Black Plug	
P20485G/BA3U102	1 x Twin 13A Switched Socket
P20485G/BA3U204	2 x Twin 13A Switched Sockets
P20485G/BA3U103	1 x Twin 13A Switched RCD Socket
P20485G/BA3U207	2 x Twin 13A Switched RCD Sockets
5m Auxiliary Earth Black Plug	
P20485G/BA5U100	1 x Twin 13A Switched Socket
P20485G/BA5U201	2 x Twin 13A Switched Sockets
P20485G/BA5U101	1 x Twin 13A Switched RCD Socket
P20485G/BA5U203	2 x Twin 13A Switched RCD Sockets

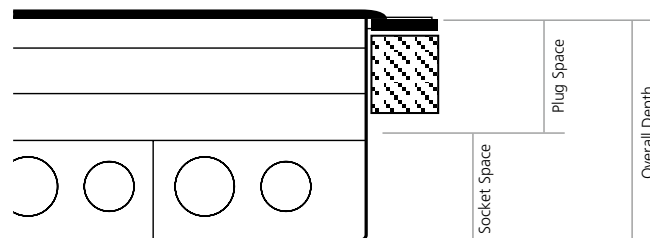
Floor Boxes

Individual Compartment

Our individual 20A Series 'Fast Fit' access floor box has been designed to meet the demands of the modern day working environment. Separate removable compartments allow services to be removed whilst the floor box body and lid remain in situ.

IP Rating
IP2X

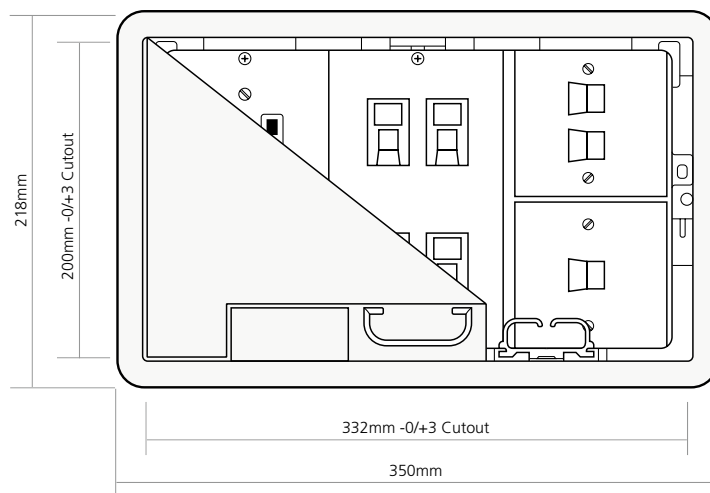
- Fast and simple tool free fixing mechanism
- Easy access for carpet fitting: the lid and trim is removed in seconds
- Quick release lid for easy access to accessory plates
- Can be pre-fitted with socket outlet and tap-off unit
- Self closing lid
- Non-Trip cable outlet brackets
- 3 and 4 compartment boxes are the same overall size. Compartment sizes:
 - 3 compartment: 100mm x 175mm
 - 4 compartment: 75mm x 175mm
- 85mm standard depth (other sizes available, see table opposite)



Overall Depth	Plug Space	Socket Space
85mm	30mm	45mm
100mm	45mm	45mm
115mm	60mm	45mm
130mm	75mm	45mm



Deeper options available



3 Compartment

Code	Description
One Piece Unwired Floor box, Grey Trim	
PP20A385G	Standard 'Fast Fit' 85mm deep
PP20A310G	Standard 'Fast Fit' 100mm deep
PP20A311G	Standard 'Fast Fit' 115mm deep
PP20A313G	Standard 'Fast Fit' 130mm deep
Individual compartments 45mm deep	
PPS2034A	Single Width
PPS203D4A	Double Width
Add Suffix /KL	Additional overcost to fit a Key Lock to a floor box lid

4 Compartment

Code	Description
One Piece Unwired Floor box, Grey Trim	
PP20A485G	Standard 'Fast Fit' 85mm deep
PP20A410G	Standard 'Fast Fit' 100mm deep
PP20A411G	Standard 'Fast Fit' 115mm deep
PP20A413G	Standard 'Fast Fit' 130mm deep
Individual compartments 45mm deep	
PPS2044A	Single Width
PPS204D4A	Double Width
Add Suffix /KL	Additional overcost to fit a Key Lock to a floor box lid

Standard Earth One piece pre-wired floor box c/w
3m or 5m 32A unfused Betatrak® tap off

3 Compartment

Code	Description
3m Standard Earth White Plug	
P20A385GBS3U104	1 x Twin 13A Switched Socket
P20A385GBS3U202	2 x Twin 13A Switched Sockets
P20A385GBS3U108	1 x Twin 13A Switched RCD Socket
P20A385GBS3U209	2 x Twin 13A Switched RCD Sockets
5m Standard Earth White Plug	
P20A385GBS5U103	1 x Twin 13A Switched Socket
P20A385GBS5U202	2 x Twin 13A Switched Sockets
P20A385GBS5U104	1 x Twin 13A Switched RCD Socket
P20A385GBS5U204	2 x Twin 13A Switched RCD Sockets

Clean Earth One piece pre-wired floor box c/w 3m
or 5m 32A unfused Betatrak® tap off

3 Compartment

Code	Description
3m Clean Earth Red Plug	
P20A385GBC3U100	1 x Twin 13A Switched Socket
P20A385GBC3U204	2 x Twin 13A Switched Sockets
P20A385GBC3U103	1 x Twin 13A Switched RCD Socket
P20A385GBC3U206	2 x Twin 13A Switched RCD Sockets
5m Clean Earth Red Plug	
P20A385GBC5U101	1 x Twin 13A Switched Socket
P20A385GBC5U201	2 x Twin 13A Switched Sockets
P20A385GBC5U102	1 x Twin 13A Switched RCD Socket
P20A385GBC5U202	2 x Twin 13A Switched RCD Sockets

Auxiliary Standard Earth One piece pre-wired floor box c/w 3m or 5m 32A unfused Betatrak® tap off

3 Compartment

Code	Description
3m Auxiliary Earth Black Plug	
P20A385GBA3U101	1 x Twin 13A Switched Socket
P20A385GBA3U202	2 x Twin 13A Switched Sockets
P20A385GBA3U102	1 x Twin 13A Switched RCD Socket
P20A385GBA3U204	2 x Twin 13A Switched RCD Sockets
5m Auxiliary Earth Black Plug	
P20A385GBA5U102	1 x Twin 13A Switched Socket
P20A385GBA5U202	2 x Twin 13A Switched Sockets
P20A385GBA5U103	1 x Twin 13A Switched RCD Socket
P20A385GBA5U203	2 x Twin 13A Switched RCD Sockets

4 Compartment

Code	Description
3m Standard Earth White Plug	
P20A485GBS3U101	1 x Twin 13A Switched Socket
P20A485GBS3U204	2 x Twin 13A Switched Sockets
P20A485GBS3U103	1 x Twin 13A Switched RCD Socket
P20A485GBS3U206	2 x Twin 13A Switched RCD Sockets
5m Standard Earth White Plug	
P20A485GBS5U100	1 x Twin 13A Switched Socket
P20A485GBS5U204	2 x Twin 13A Switched Sockets
P20A485GBS5U101	1 x Twin 13A Switched RCD Socket
P20A485GBS5U205	2 x Twin 13A Switched RCD Sockets

4 Compartment

Code	Description
3m Clean Earth Red Plug	
P20A485GBC3U100	1 x Twin 13A Switched Socket
P20A485GBC3U202	2 x Twin 13A Switched Sockets
P20A485GBC3U102	1 x Twin 13A Switched RCD Socket
P20A485GBC3U203	2 x Twin 13A Switched RCD Sockets
5m Clean Earth Red Plug	
P20A485GBC5U100	1 x Twin 13A Switched Socket
P20A485GBC5U201	2 x Twin 13A Switched Sockets
P20A485GBC5U101	1 x Twin 13A Switched RCD Socket
P20A485GBC5U202	2 x Twin 13A Switched RCD Sockets

4 Compartment

Code	Description
3m Auxiliary Earth Black Plug	
P20A485GBA3U101	1 x Twin 13A Switched Socket
P20A485GBA3U200	2 x Twin 13A Switched Sockets
P20A485GBA3U102	1 x Twin 13A Switched RCD Socket
P20A485GBA3U201	2 x Twin 13A Switched RCD Sockets
5m Auxiliary Earth Black Plug	
P20A485GBA5U100	1 x Twin 13A Switched Socket
P20A485GBA5U200	2 x Twin 13A Switched Sockets
P20A485GBA5U101	1 x Twin 13A Switched RCD Socket
P20A485GBA5U201	2 x Twin 13A Switched RCD Sockets

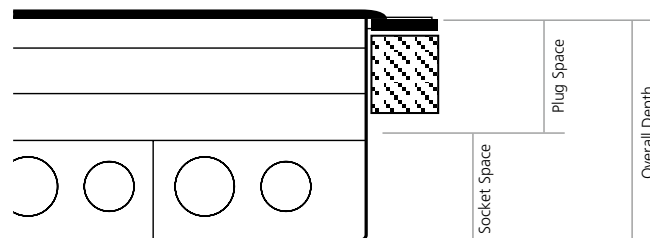
Floor Boxes

Integral RCD/RCBO

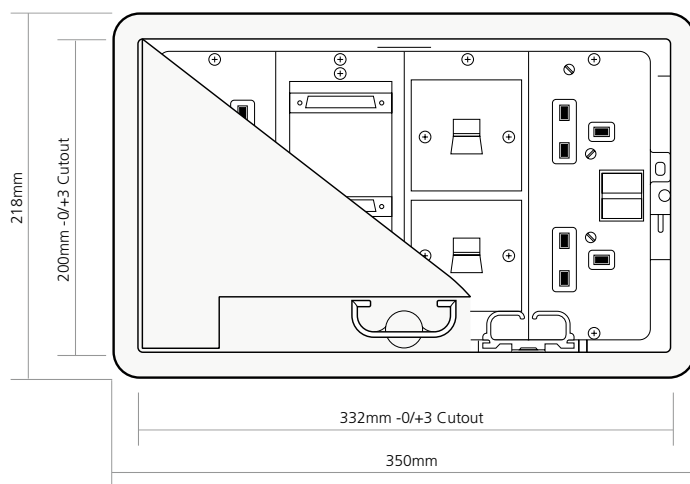
Our individual 20A Series 'Fast Fit' access floor box with integral Din Rail mounted RCD or RCBO protection has been designed to meet the demands of the modern day working environment. By using a modular breaker wired to normal sockets the need for expensive RCD sockets is removed. Separate removable compartments allow services to be removed whilst the floor box body and lid remain in situ.



- Integral RCD/RCBO wired to normal sockets
- Fast and simple tool free fixing mechanism
- Easy access for carpet fitting: the lid and trim is removed in seconds
- Quick release lid for easy access to accessory plates
- Can be pre-fitted with socket outlet and tap off unit
- Self closing lid
- Non-trip cable outlet brackets



Overall Depth	Plug Space	Socket Space
95mm	30mm	45mm



Note:

- These boxes are 4 compartment but use the 1st compartment to house the RCD/RCBO
- Removable compartments are double width for 1 twin socket and triple width for 2 twin sockets
- Compartment sizes are 75mm x 175mm

Standard Earth Pre-wired floor box c/w 32A unfused
Betatrak® tap off

4 Compartment

Code	Description	RCD/RCBO
3m Standard Earth White Plug		
P20A495GBS3U200	1 x Twin 13A Switched Socket	40A RCD
P20A495GBS3U308	2 x Twin 13A Switched Sockets	40A RCD
P20A495GBS3U207	1 x Twin 13A Switched Socket	20A RCBO
P20A495GBS3U301	2 x Twin 13A Switched Sockets	20A RCBO
5m Standard Earth White Plug		
P20A495GBS5U204	1 x Twin 13A Switched Socket	40A RCD
P20A495GBS5U305	2 x Twin 13A Switched Sockets	40A RCD
P20A495GBS5U203	1 x Twin 13A Switched Socket	20A RCBO
P20A495GBS5U304	2 x Twin 13A Switched Sockets	20A RCBO

Clean Earth Pre-wired floor box c/w 32A unfused
Betatrak® tap off

4 Compartment

Code	Description	RCD/RCBO
3m Clean Earth Red Plug		
P20A495GBC3U202	1 x Twin 13A Switched Socket	40A RCD
P20A495GBC3U302	2 x Twin 13A Switched Sockets	40A RCD
P20A495GBC3U203	1 x Twin 13A Switched Socket	20A RCBO
P20A495GBC3U303	2 x Twin 13A Switched Sockets	20A RCBO
5m Clean Earth Red Plug		
P20A495GBC5U201	1 x Twin 13A Switched Socket	40A RCD
P20A495GBC5U301	2 x Twin 13A Switched Sockets	40A RCD
P20A495GBC5U202	1 x Twin 13A Switched Socket	20A RCBO
P20A495GBC5U302	2 x Twin 13A Switched Sockets	20A RCBO

Auxiliary Standard Earth Pre-wired floor box c/w
32A unfused Betatrak® tap off

4 Compartment

Code	Description	RCD/RCBO
3m Auxiliary Earth Black Plug		
P20A495GBA3U200	1 x Twin 13A Switched Socket	40A RCD
P20A495GBA3U300	2 x Twin 13A Switched Sockets	40A RCD
P20A495GBA3U201	1 x Twin 13A Switched Socket	20A RCBO
P20A495GBA3U301	2 x Twin 13A Switched Sockets	20A RCBO
5m Auxiliary Earth Black Plug		
P20A495GBA5U200	1 x Twin 13A Switched Socket	40A RCD
P20A495GBA5U300	2 x Twin 13A Switched Sockets	40A RCD
P20A495GBA5U201	1 x Twin 13A Switched Socket	20A RCBO
P20A495GBA5U301	2 x Twin 13A Switched Sockets	20A RCBO

Floor Boxes

Screed + Screwfix

The 93 and 99 Series range of floor boxes are available for use as either a 'stand alone' screed floor type or a screw fixed type suitable for raised floors. Screed floor types are supplied with jacking legs which allow 10mm adjustment for levelling with the finished floor depth and are sealed to prevent ingress of screed.

Features:

- Quick release lid for easy access to accessory plate
- Self closing lid
- Non-Trip cable outlet brackets

IP Rating
IP2X

93 Series 2 compartment



Cable protectors

99 Series 3 compartment

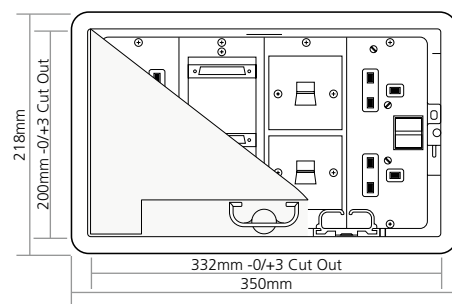
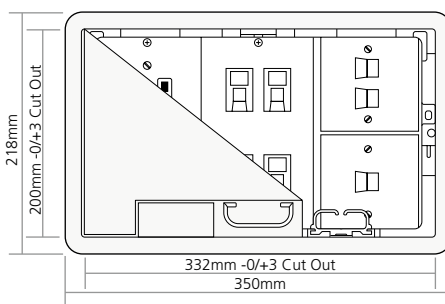
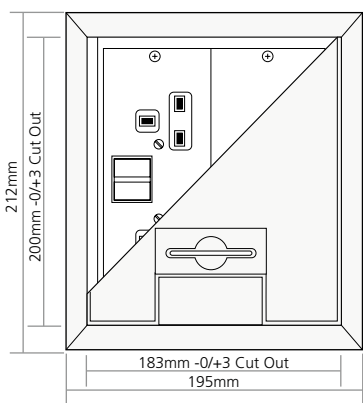


Self closing lid

99 Series 4 compartment



20/25mm entry knockouts



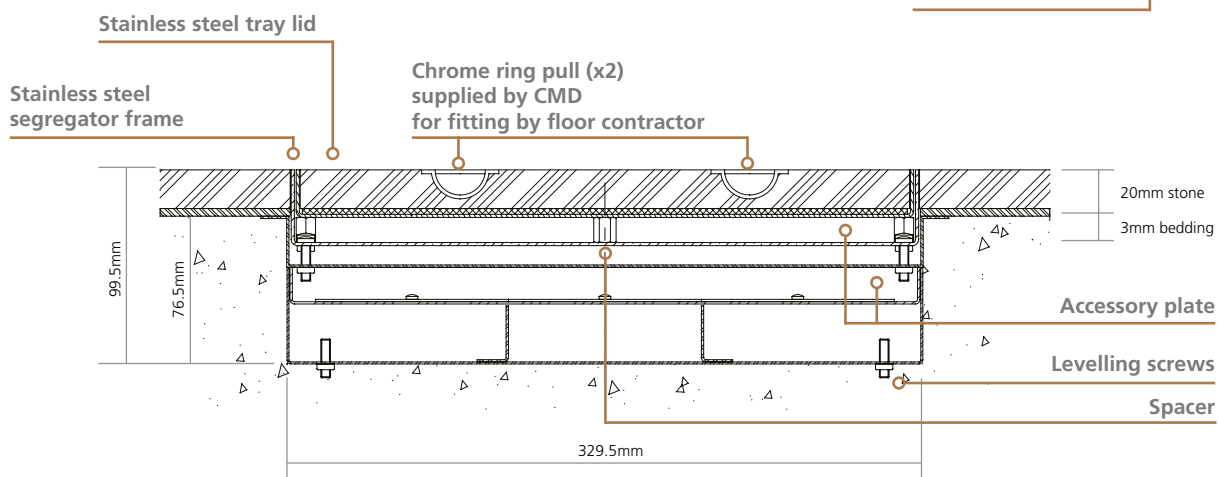
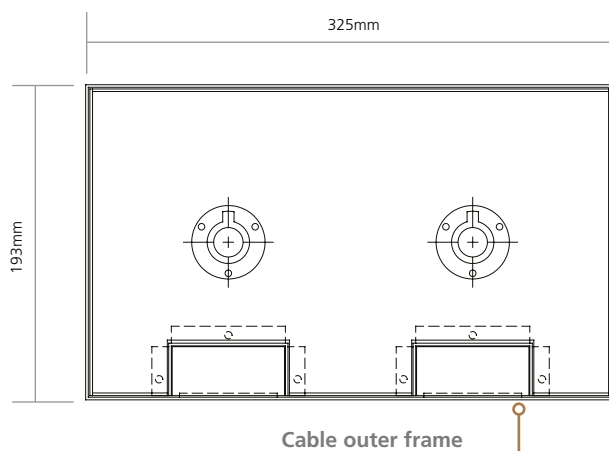
Code	Description	Code	Description	Code	Description
PP93285G	Screw Fix, 85mm deep Floor box, Grey Trim	PP99385G	Screw Fix, 85mm deep Floor box, Grey Trim	PP99485G	Screw Fix, 85mm deep Floor box, Grey Trim
PPS93285G	Screed Box, 85mm deep, Grey Trim - Adapted for Screed	PPS99385G	Screed Box, 85mm deep, Grey Trim - Adapted for Screed	PPS99485G	Screed Box, 85mm deep, Grey Trim - Adapted for Screed
				Add Suffix /KL	Additional overcost to fit a Key Lock to a floor box lid

Stainless Steel

3 or 4 compartment stainless steel access floor boxes comprise of three distinct assemblies: the box base, the mounting frame and purpose made stainless steel frame/lid assembly. The box base has 20mm and 25mm conduit knockouts in each long side and dividing fillets that are provided to separate services. The box base is manufactured from galvanised steel and comes complete with a grid to accept interchangeable accessories.

The mounting frame is manufactured from galvanised steel and has two fixing holes in each long side. The frame/lid tray assembly is manufactured from brushed stainless steel with straight edges and cable outlet brackets in the same material. The recess in the tray lid is 23mm deep. Maximum outside size of S/S trim is 325mm x 193mm and overall box depth is 99mm. The box is provided with jacking legs for levelling and adjustment – Screed option only.

IP Rating
IP2X



3 Compartment

Code	Description
PP90375SS/23	Screwfix Unwired Floor box, Stainless Steel Trim 75mm deep
PPS90375SS/23	Screed Unwired Floor box, Stainless Steel Trim 75mm deep

4 Compartment

Code	Description
PP90475SS/23	Screwfix Unwired Floor box, Stainless Steel Trim 75mm deep
PPS90475SS/23	Screed Unwired Floor box, Stainless Steel Trim 75mm deep

The box has approx. 30mm plug top space due to final lid adjustment.