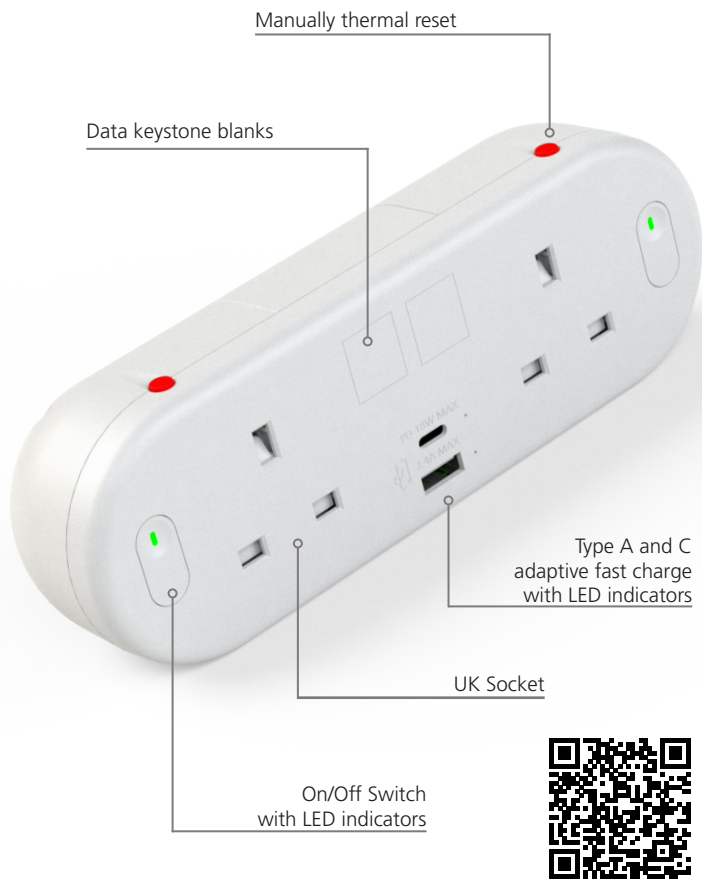




Capsule - Information and Instruction Sheet

Capsule is a stylish on desk power module that features two UK sockets, each with an individual on/off switch and 3A thermal reset. The module also includes a fully integrated Type A and an adaptive Type C charger.



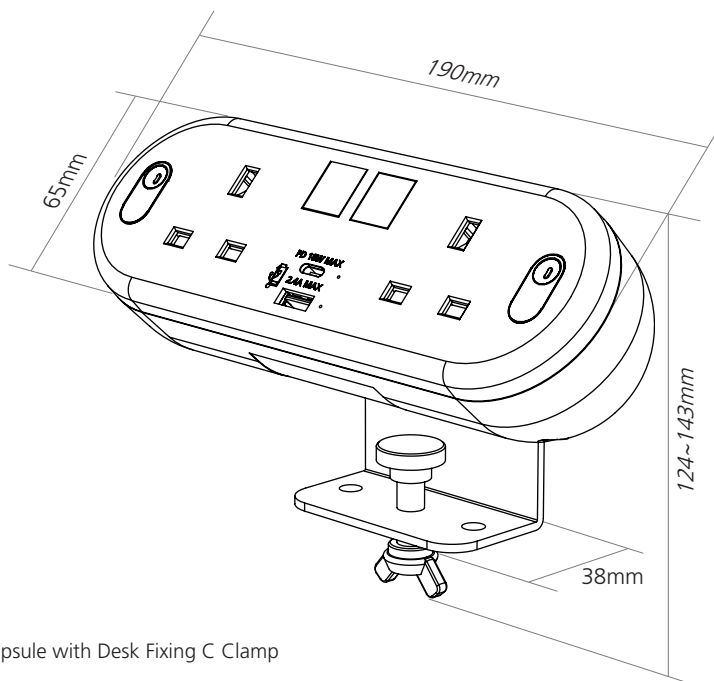
Main features

1. Choice of black or white.
2. 2x UK sockets with individual on/off switches and 3A thermal reset.
3. Fully integrated Type A and C dual port USB, adaptive power supply.
4. 2x data blanks that can be removed to accept a range of keystone couplers.
5. Supplied with C clamp fixing to fit a range of desk thicknesses.
6. USB Type A and Type C chargers are designed and tested to: EMC (EN61000/EN55022/EN55020/EN55024/EN55013/EN55014) and LVD (EN60950).



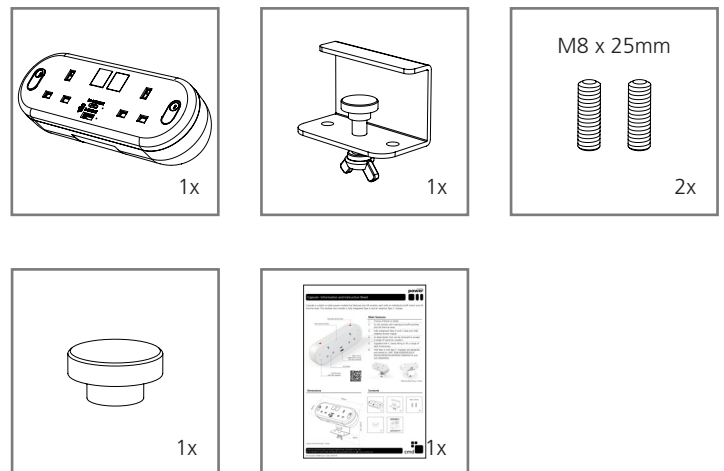
Matching Desk Fixing C Clamp

Dimensions



Capsule with Desk Fixing C Clamp

Contents

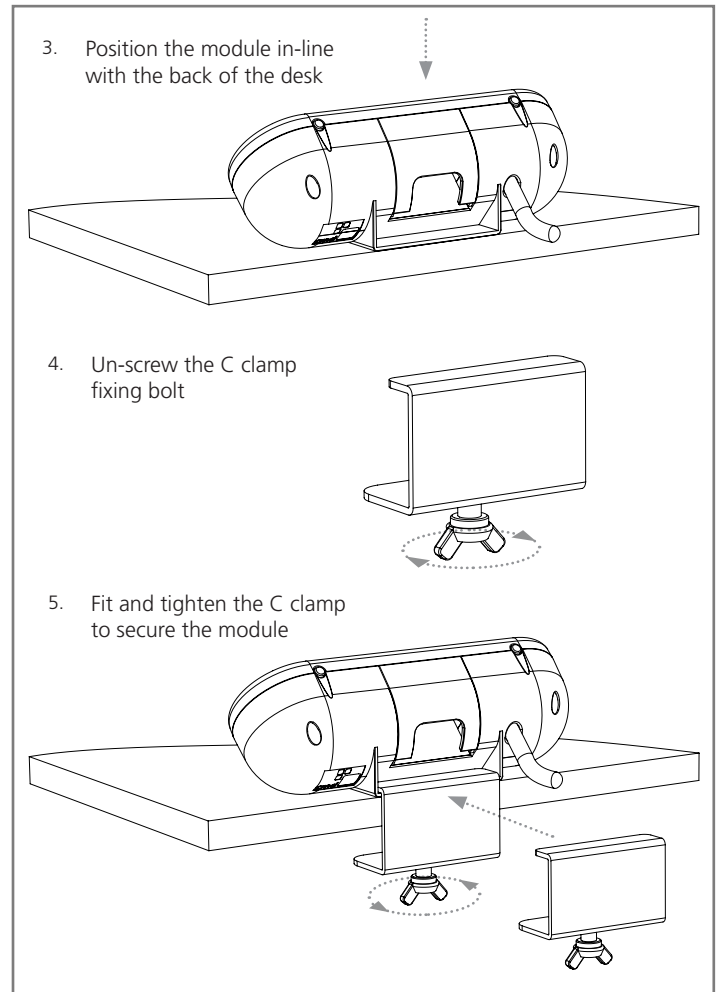




Capsule - Information and Instruction Sheet

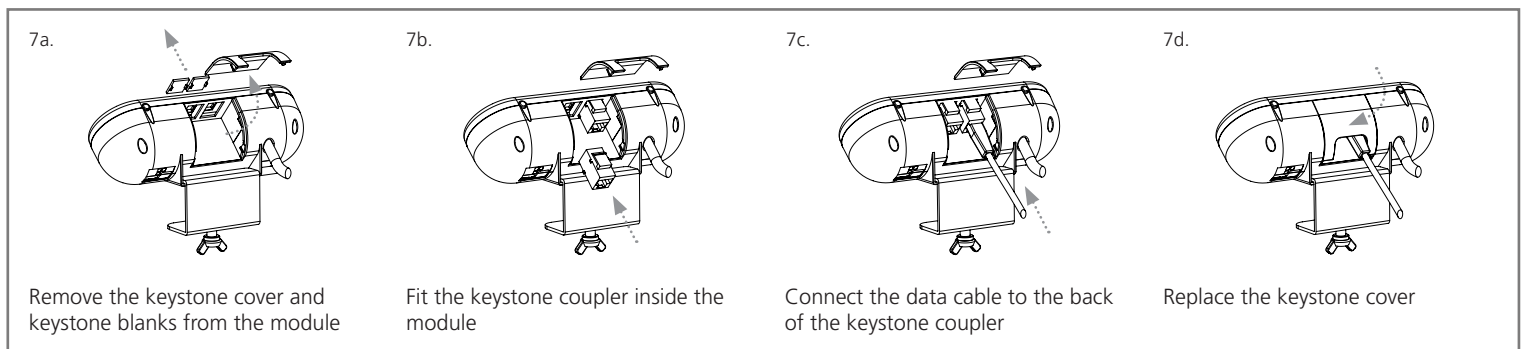
Instructions

1. Capsule is supplied with a desk fixing C clamp as standard. This can be used on desk thicknesses of 11mm to 30mm. Note: 2x M8 x 25mm grub screws are supplied and can be used to fit the C clamp to sliding desk tops or where space is limited under the desk.
2. Remove the Capsule module and the C clamp from the box.
3. Find a suitable place for the module to be installed and position the back of the module against the back of the desk.
4. Take the C clamp and un-screw the fixing bolt to its maximum position.
5. Place the upper section of the C clamp onto the base at the back of the module and tighten the thumbs screw until the module is secured to the desk surface. (Note: this may require access to the underside of the desk)
6. The cable and connector should be placed into a cable management basket under the desk and connected to the power supply by a qualified or competent person.
7. To reset the thermal reset, remove all plugs from the UK sockets, leaving the On/Off switches 'on'. Press the red reset button on top of the module until the LED lights on the switches are illuminated.



Fitting the Keystone Couplers

(Note: Keystone couplers may vary in size, which may affect the way they fit into the Capsule module)



Warning

Do not use this product for any purpose other than which it was designed for.

All electrical cables should be fitted by a qualified or instructed person.

Do not dismantle or remodel the power module.

Cleaning, Storage & Maintenance

Cleaning & Maintenance

Dry cloth, no abrasives or solvents to be used on the module surface.

Handling & Storage

Do not drop or expose to moisture.