

Vision H + Laptop with Integrated Power - Information and Instruction Sheet

Our new Vision H on desk monitor and laptop stand, with integrated power and charging module, has been designed to offer ergonomic support for home workers. This stylish and compact support can be adjusted to a range of heights to suit individual users to help prevent a range of problems such as Repetitive Strain Injury (RSI) and neck, shoulder and back pain caused by poor posture.

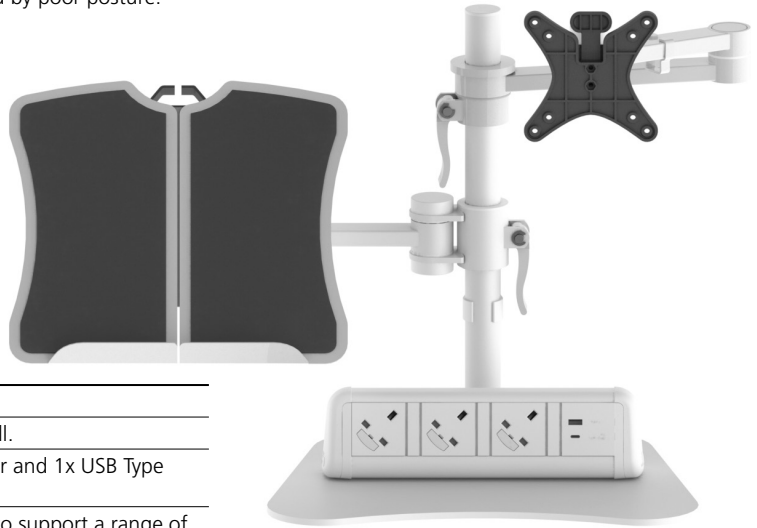


fig. 01

Main features

1. Available in white.
2. Quick and easy to install.
3. Provides up to 3x power and 1x USB Type A&C charger sockets.
4. Adjustable laptop tray to support a range of laptop sizes.
5. Includes cable management clips to secure cables to the arm and pole sections.
6. Supports monitors and laptops up to 5kgs.

Power specification can vary depending on the requirements of individual customers.

Dimensions

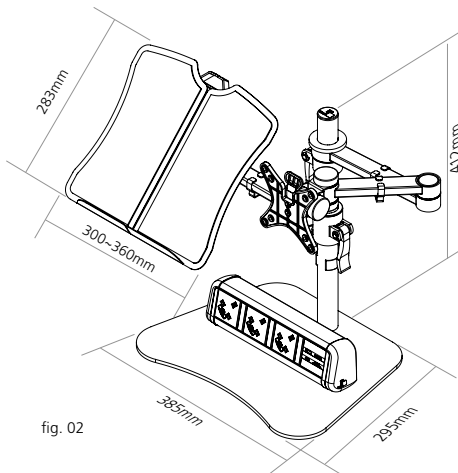
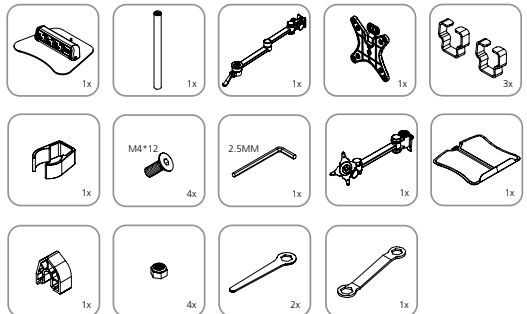


fig. 02

Contents



Assembly Instructions

1. Position the base in a suitable position making sure the M8 fixing screw is at the back of the desk or table (fig. 03). Note: the integrated power module is pre-installed on the base.
2. Position the pole over the M8 fixing screw and secure by turning the pole clockwise until hand tight (fig. 04).
3. Assemble the laptop tray and secure it to the laptop tray arm (fig. 05, 06 & 07).
4. Fit the laptop tray arm and the single monitor arm to the pole (fig. 08) and secure in place using the fixing lever (fig. 09).
5. Install the cable management clips to the pole and arm sections (fig. 09 & 10).
6. Connect the monitor to the quick release VESA using the screws provided and attach the VESA to the single monitor arm (fig. 10 & 11).
7. The VESA head may tighten or loosen after prolonged use so may need adjusting (fig. 12).

Safety notice

To ensure the product remains stable in use, do not extend the monitor past the front edge of the base plate (fig. 13 & 14).

fig. 13

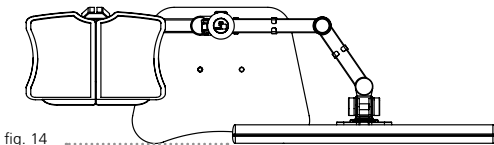
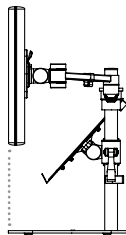
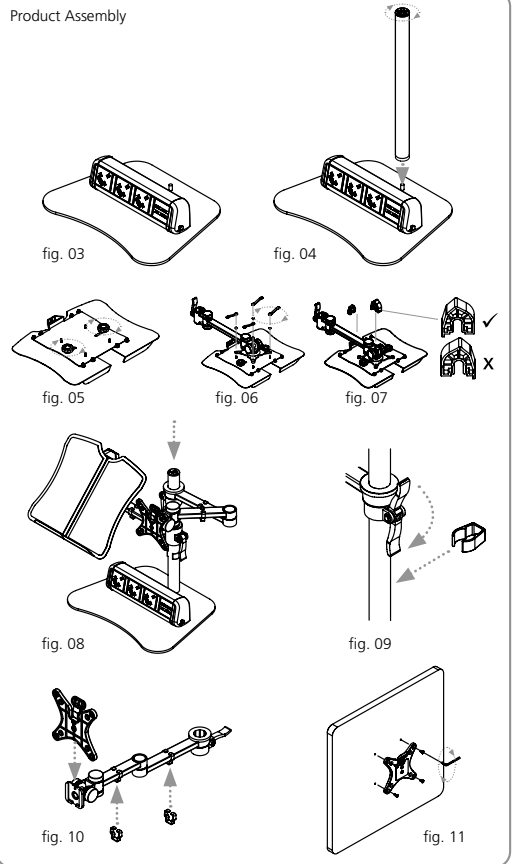


fig. 14

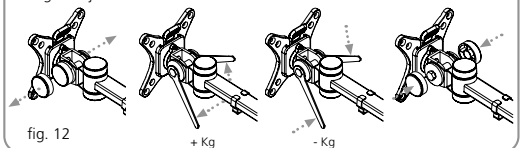
Cleaning, Storage and Maintenance

Service Components:	Available to order.
Cleaning & Maintenance:	Dry cloth, no abrasives or solvents to be used on the product surface.
Handling & Storage:	Do not drop.

Product Assembly



Weight Adjustment



Warning

Do not exceed the recommended maximum weight of 5kgs.
Do not extend the monitor past the front edge of the base plate.