

Vision H with Integrated Power - Information and Instruction Sheet

Our new Vision H Single and Dual Screen on desk monitor stand, with integrated power and charging module, has been designed to offer ergonomic support for home workers. This stylish and compact support can be adjusted to a range of heights to suit individual users to help prevent a range of problems such as Repetitive Strain Injury (RSI) and neck, shoulder and back pain caused by poor posture.

Main features

1. Available in white.
2. Quick and easy to install.
3. Provides up to 3x power and 1x USB Type A&C charger sockets.
4. Includes cable management clips to secure cables to the arm and pole sections.
5. Supports monitors up to 5kgs or 2x 5kgs when used with the Dual Screen Razor Mount.

Dimensions

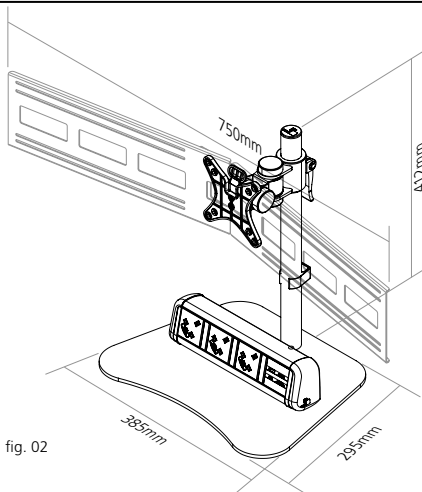


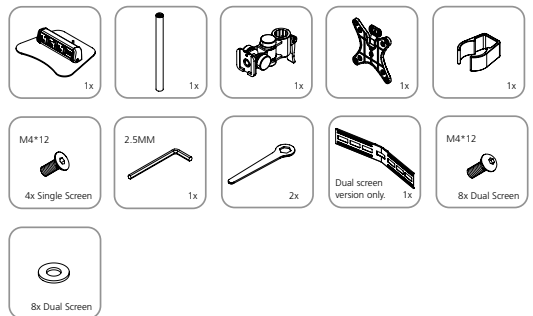
fig. 02



fig. 01

Power specification can vary depending on the requirements of individual customers.

Contents



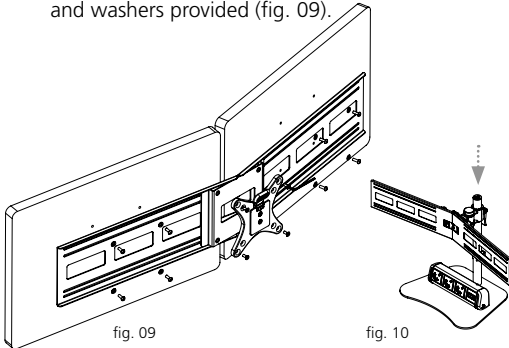
Vision H with Integrated Power - Information and Instruction Sheet

Assembly Instructions

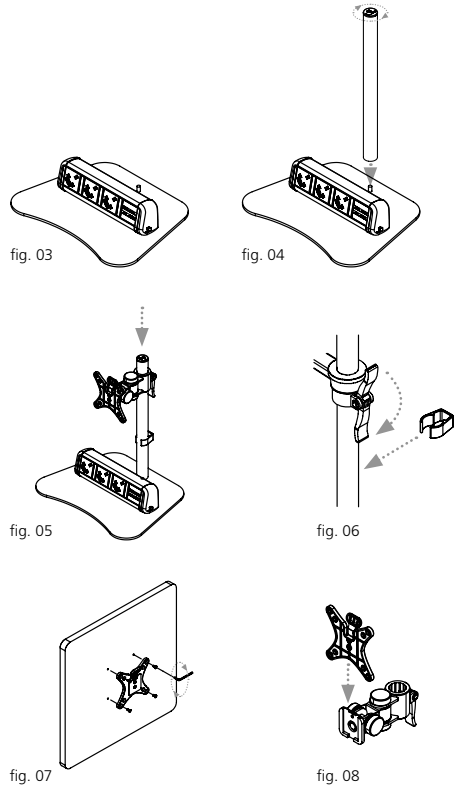
1. Position the base in a suitable position making sure the M8 fixing screw is at the back of the desk or table (fig. 03). Note: the integrated power module is pre-installed on the base.
2. Position the pole over the M8 fixing screw and secure by turning the pole clockwise until hand tight (fig. 04).
3. Attach the Single VESA Head to the pole (fig. 05 & 06).
4. Install the cable management clips to the pole (fig. 06).
5. Connect the monitor to the VESA using the screws provided (fig. 07) and re-attach the VESA to the single monitor arm (fig. 08).
6. The VESA head may tighten or loosen after prolonged use so may need adjusting (fig. 11).

Dual Screen Assembly Instructions

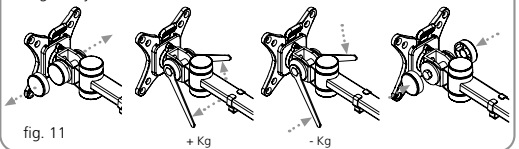
1. Attach the Single VESA Head to the centre of the Dual Screen Razor Mount using the 4x M4*12 screws provided (fig. 09).
2. Connect the monitors using the 8x M4*12 screws and washers provided (fig. 09).



Product Assembly



Weight Adjustment



Cleaning, Storage and Maintenance

Service Components:	Available to order.
Cleaning & Maintenance:	Dry cloth, no abrasives or solvents to be used on the product surface.
Handling & Storage:	Do not drop.

Warning

Do not exceed the recommended maximum weight of 5kgs.
Do not extend the monitor past the front edge of the base plate.