



## Contour - Information and Instruction Sheet

Contour has a modern, curved appearance displaying many design features like our lateral fuse carrier, internal segregation between power and data and comes complete with plastic clips on the covers so there are no visible fixing screws and fully compliant to current safety regulations.



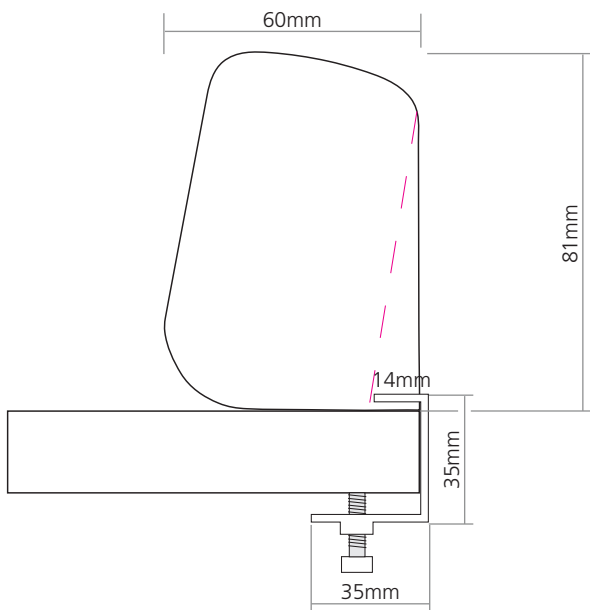
### Main features

1. Choice of international power, data & media connectors to meet most specifications.
2. UK Sockets are individually fused at 3.15A or 5A to allow compliance with BS 6396.
3. Available with plastic or metal body.
4. No visible screws.
5. Available in white, black and grey options, or any combination of these colours, as required.
6. All standard options are supplied with a 1 metre mains lead to 3 pole connector.
7. Complies with BS 5733 (UK) & IEC 60884-1 (Europe).



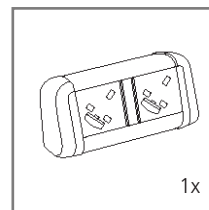
Available with international sockets

### Dimensions



Contour with standard C clamp

### Contents



# Contour - Information and Instruction Sheet



## Instructions - C Clamp Fixing Kit

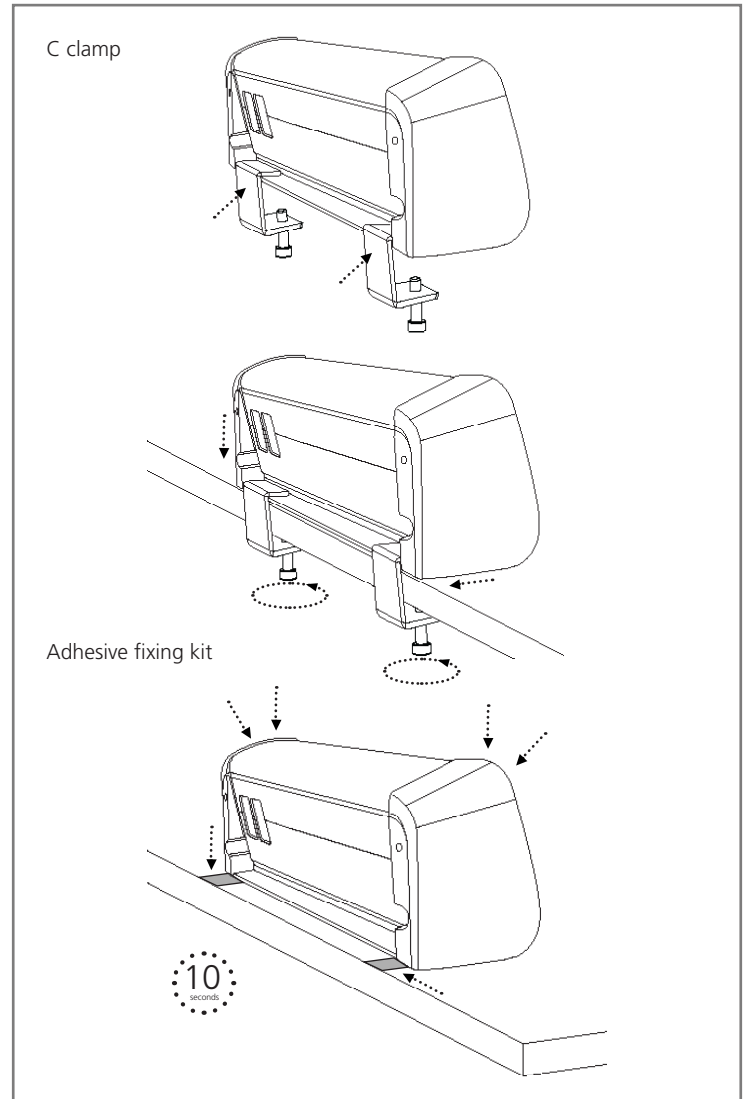
1. Apply rubber feet to the base of the Contour module.
2. Place the unit in the desired position on the desk surface.
3. Fix the two C clamps at each end of the unit. Note, when a single C clamp is used you must ensure the C clamp is in the centre of the module.
4. Tighten the C clamp with a 5mm Allen key (not supplied). Do not use power tools.

## Instructions - Adhesive Fixing Kit

1. Clean both mounting surfaces with the cleaning wipe provided.
2. Place the adhesive tabs (equally spaced) on the unit surface, ensuring the removal tab is partially exposed.
3. Position the unit on a clean, dry desk surface. Do not try to reposition after positioning.
4. Apply downward pressure for a minimum of 10 seconds. The product will be usable after 20 minutes.

## Instructions - Adhesive Fixing Kit Removal

1. Hold the unit firmly, whilst pulling the tab towards you.
2. Repeat this until all tabs have been removed.



## Note Fixing

The module dimensions are listed below for reference. To fix the module to the desk we recommend using our Contour C clamp or adhesive fixing kit. Please note that two C clamps, for desks of 20-32mm thickness, should be used for module with more than 2 sockets. One adhesive fixing kit is required per module.

## Warning

Do not use this product for any purpose other than which it was designed for.

All electrical cables should be fitted by a qualified or instructed person.

Do not dismantle or remodel the power module.

## Cleaning, Storage and Maintenance

**Cleaning and Maintenance** Dry cloth, no abrasives or solvents to be used on the module surface.

**Handling and Storage** Do not drop or expose to moisture.