

## Cable Hive Power Distribution

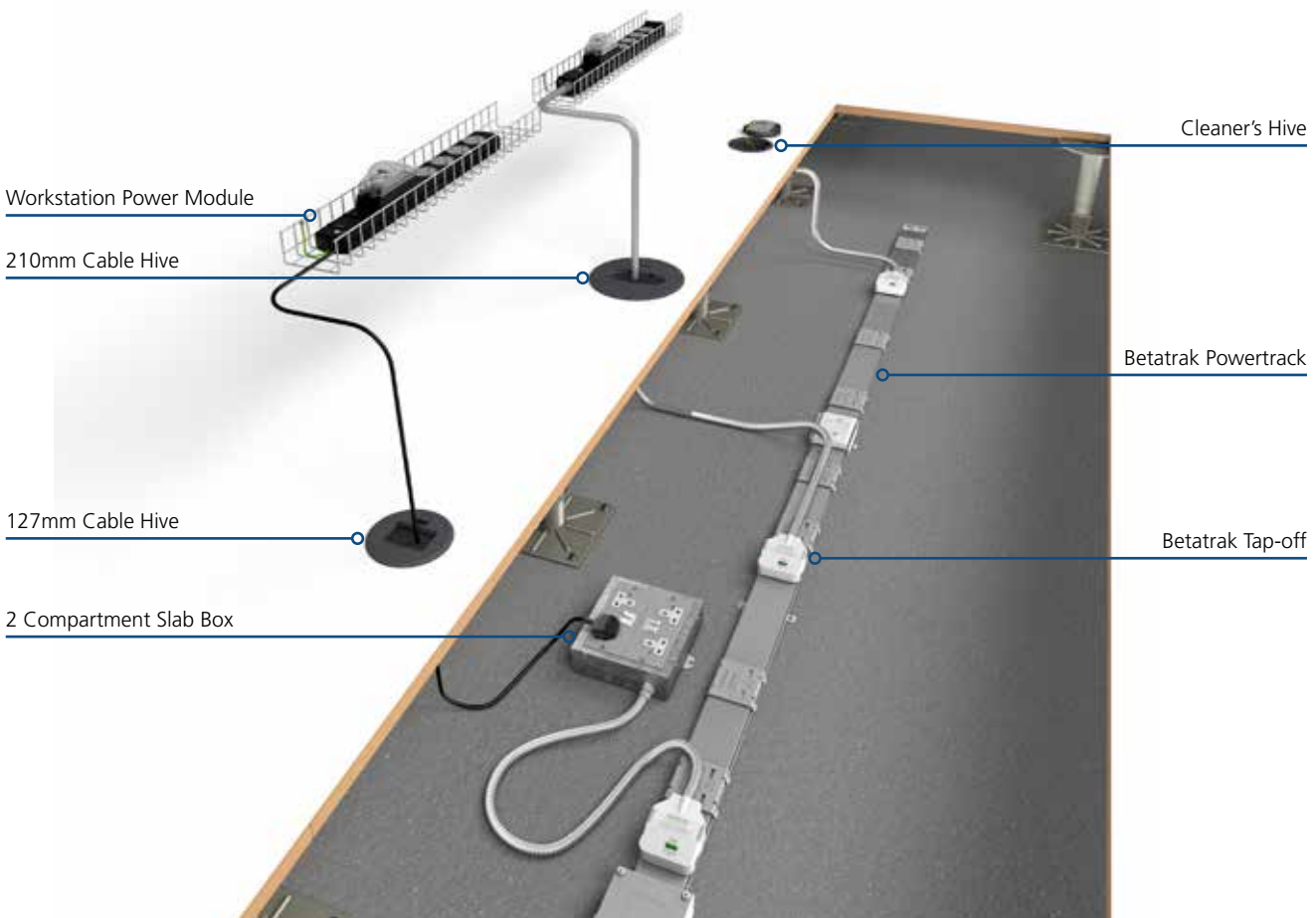
CMD Ltd offer two sizes of Cable Hive. They are designed for use in commercial environments and provide an efficient fast-fit on site installation and ease of access to power and data services that are contained within or pass through a raised floor. The Cable Hives available are:

- 26 Series 127mm diameter cut out (140mm overall diameter).
- 21 Series 210mm diameter cut out (230mm overall diameter).

The 26 and 21 Series fast-fit Cable Hives are suitable for raised floor applications.

### The benefits of using a CMD Cable Hive:

- Multiple options available designed to meet your specification requirements.
- Designed to comply with BS EN 61534-22 Powertrack systems. Particular requirements for powertrack systems intended for onfloor or underfloor installation Traffic Load Tests.
- Cable Hives fitted with power sockets can be pre-wired with a Betatrak Tap-off for ease of installation.
- Low profile Cable Hive surround to reduce the risk of tripping as per BS EN 61534-22.
- Installed in seconds with no tools required.
- Carpet can be fitted into a 6.5mm recess in the versions with the tray lid.

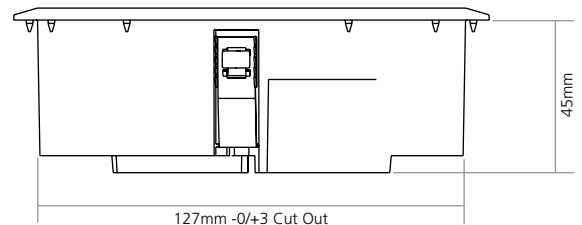
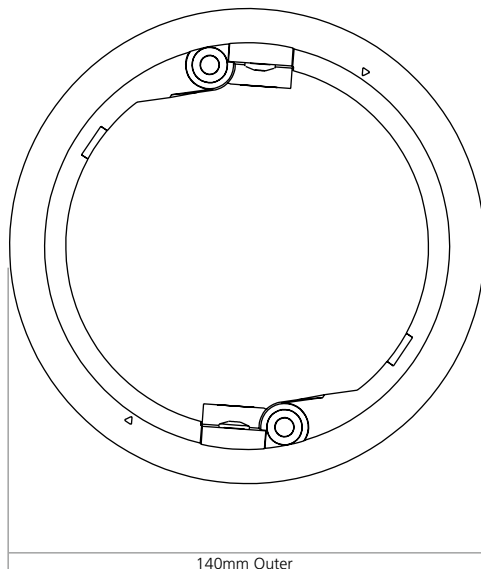


## Cable Hive (127mm Cut Out)

The 26 Series cable Hive is suitable for raised floor applications. The 26 Series cable Hive are designed for use in commercial environments and provide an efficient fast-fit on site installation and ease of access to power and data services that are contained within or pass through a raised floor.

### Features include:

- Push down, tool free fixing mechanism.
- Grey RAL7031 lid and trim V0 rated PC/ABS.
- Integral carpet gripper spikes pre-fitted to the trim.
- Split lid with soft foam inserts.
- Self-closing lifting handles.
- Low profile surround.
- Can accommodate multiple metal conduits (see table).
- Recommended for installation in light traffic areas.



Code	Description
PPHC261G	40mm Height Standard Cable Hive

### Maximum number of conduits when lid is in place.

- 8x 16mm Conduit
- 4x 20mm Conduit
- 3x 25mm Conduit
- 2x 32mm Conduit

## Cleaner's Hive (127mm Cut Out)

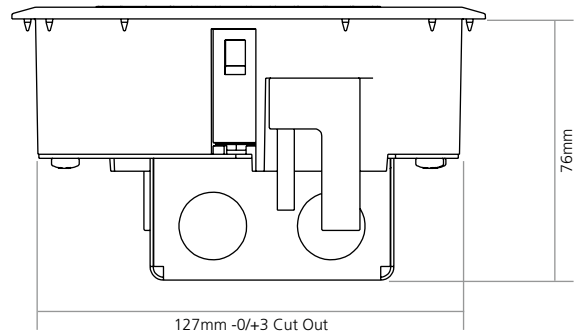
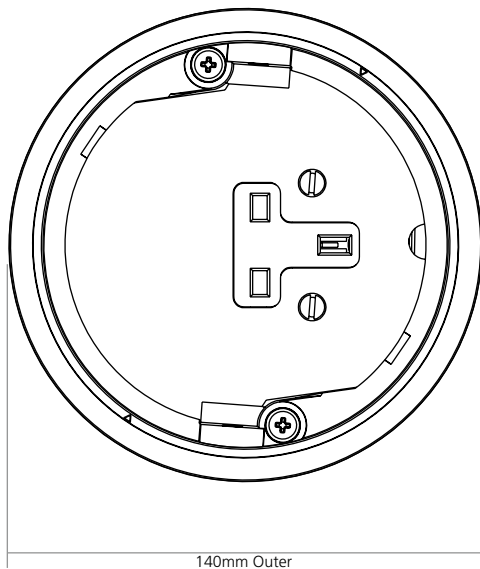
The 26 Series cleaner's Hive is suitable for raised floor applications. The 26 Series cleaner's Hives are designed for use in commercial environments and provide an efficient fast-fit on site installation.

### Features include:

- Screw operated fixing clamps.
- Grey RAL7031 lid and trim V0 rated PC/ABS.
- Integral carpet gripper spikes pre-fitted to the trim.
- Lid with 6.5mm recess for carpet.
- Self-closing lifting handle.
- Low profile surround.
- Can be pre-fitted with a Betatrak Tap-off unit.
- Recommended for installation in light traffic areas.



Note: All Standard Earth power plates are finished in textured matt grey paint (RAL7004).



Code	Description
PPH263G	76mm Height Cleaners Hive with 1x Unswitched Socket for On-site Wiring
PPH263G/001	PPH263G Wired with a 3m 32A Unfused Standard Earth Tap-off
PPH263G/002	PPH263G Wired with a 5m 32A Unfused Standard Earth Tap-off

Code	Description
PPH263G/009	PPH263G Wired with a 3m 32A Unfused Clean Earth Tap-off
PPH263G/010	PPH263G Wired with a 5m 32A Unfused Clean Earth Tap-off
PPH263G/SW/87	87mm Height Standard Cleaner's Hive with 1x Switched Socket for On-site Wiring

Note: Clean earth cleaner's Hives wired as L, N & E only.

## RCD Protected Cleaner's Hive (127mm Cut Out)

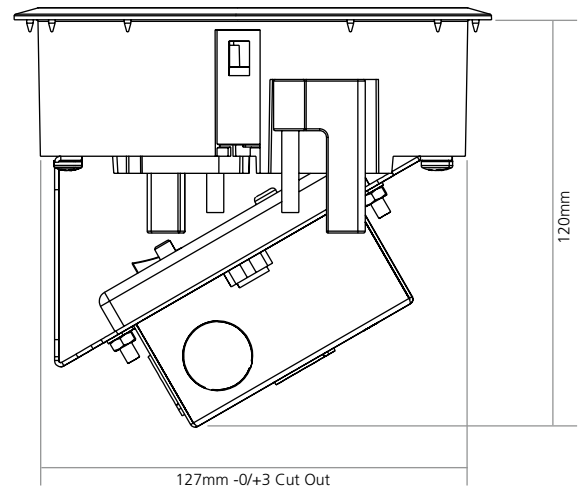
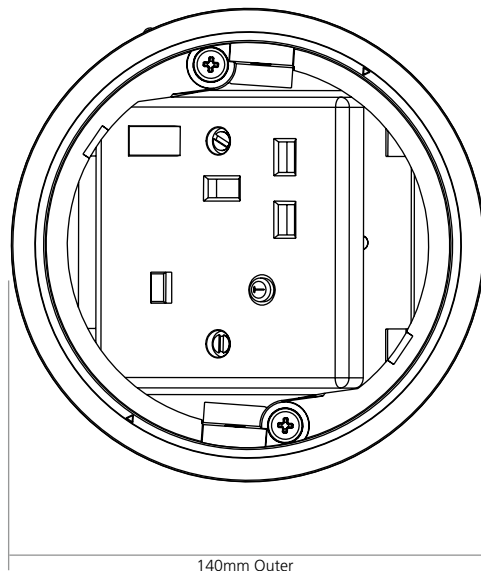
The 26 Series RCD protected cleaner's Hive is suitable for raised floor applications. The 26 Series RCD protected cleaner's Hives are designed for use in commercial environments and provide an efficient fast-fit on site installation.

### Features include:

- Screw operated fixing clamps.
- Grey RAL7031 lid and trim V0 rated PC/ABS.
- Integral carpet gripper spikes pre-fitted to the trim.
- Lid with 6.5mm recess for carpet.
- Self-closing lifting handle.
- Low profile surround.
- Can be pre-fitted with a Betatrak Tap-off unit.
- Recommended for installation in light traffic areas.



Note: All Standard Earth power plates are finished in textured matt grey paint (RAL7004).



Code	Description
PPH263G/RCD/A	120mm Height Cleaners Hive with 1x RCD Socket for On-site Wiring
PPH263G/015	PPH263G/RCD/A Wired with a 3m 32A Unfused Standard Earth Tap-off
PPH263G/007	PPH263G/RCD/A Wired with a 5m 32A Unfused Standard Earth Tap-off

Code	Description
PPH263G/014	PPH263G/RCD/A Wired with a 3m 32A Unfused Clean Earth Tap-off
PPH263G/043	PPH263G/RCD/A Wired With a 5m 32A Unfused Clean Earth Tap-off

Note: Clean earth Power Hives wired as L, N & E only.

## Power Hive (127mm Cut Out)

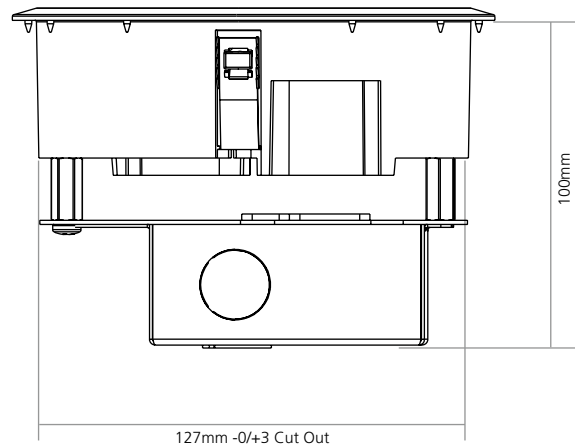
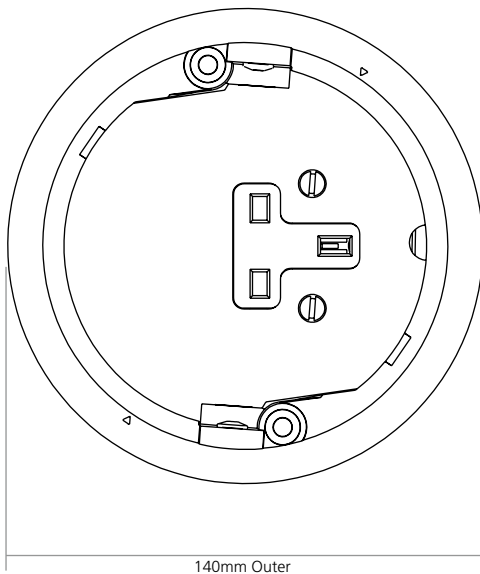
The 26 Series power Hive is suitable for raised floor applications. The 26 Series power Hives are designed for use in commercial environments and provide an efficient fast-fit on site installation.

### Features include:

- Push down, tool free fixing mechanism.
- Grey RAL7031 lid and trim V0 rated PC/ABS.
- Integral carpet gripper spikes pre-fitted to the trim.
- Split lid with soft foam inserts.
- Self-closing lifting handles.
- Low profile surround.
- Can be pre-fitted with a Betatrak Tap-off unit.
- Recommended for installation in light traffic areas.



Note: All Standard Earth power plates are finished in textured matt grey paint (RAL7004).



Code	Description
PPHC265G	100mm Height Power Hive with 1x Un-switched Socket for On-site Wiring
PPHC265G/001	PPHC265G Wired with a 3m 32A Unfused Standard Earth Tap-off
PPHC265G/002	PPHC265G Wired with a 5m 32A Unfused Standard Earth Tap-off

Code	Description
PPHC265G/003	PPHC265G Wired with a 3m 32A Unfused Clean Earth Tap-off
PPHC265G/004	PPHC265G Wired with a 5m 32A Unfused Clean Earth Tap-off
PPHC265G/5M	100mm Height Power Hive with 1x Un-switched 5A Socket for On-site Wiring

Note: Clean earth cleaner's Hives wired as L, N & E only.

## RCD Protected Power Hive (127mm Cut Out)

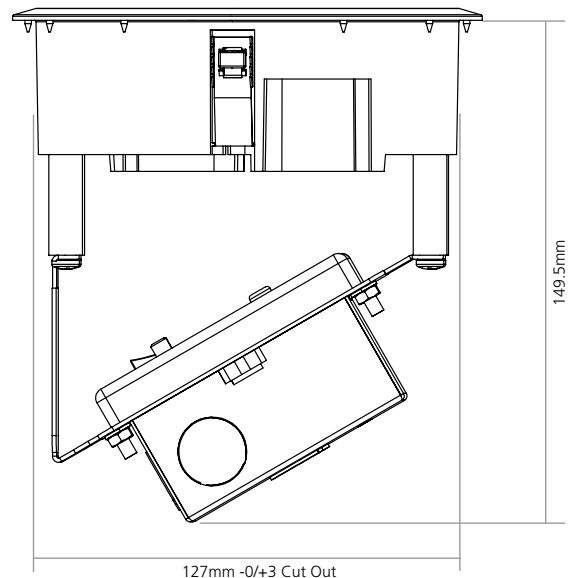
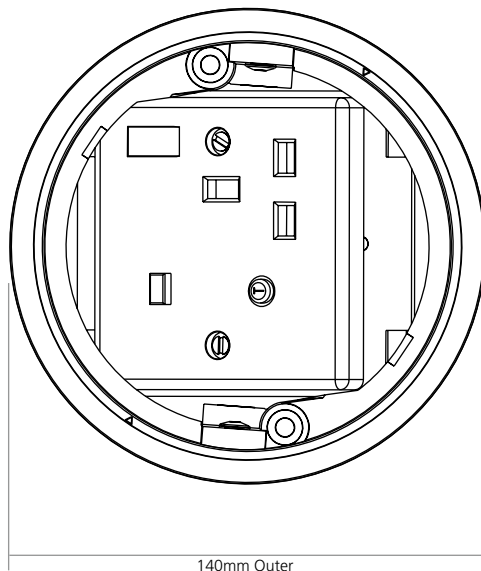
The 26 Series RCD protected power Hive is suitable for raised floor applications. The 26 Series RCD protected power Hives are designed for use in commercial environments and provide an efficient fast-fit on site installation.

### Features include:

- Push down, tool free fixing mechanism.
- Grey RAL7031 lid and trim VO rated PC/ABS.
- Integral carpet gripper spikes pre-fitted to the trim.
- Split lid with soft foam inserts.
- Self-closing lifting handles.
- Low profile surround.
- Can be pre-fitted with a Betatrak Tap-off unit.
- Recommended for installation in light traffic areas.



Note: All Standard Earth power plates are finished in textured matt grey paint (RAL7004).



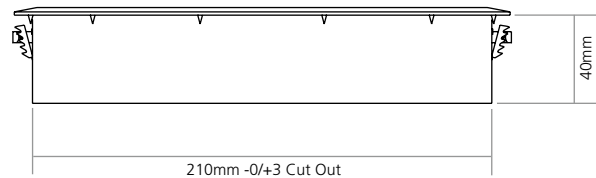
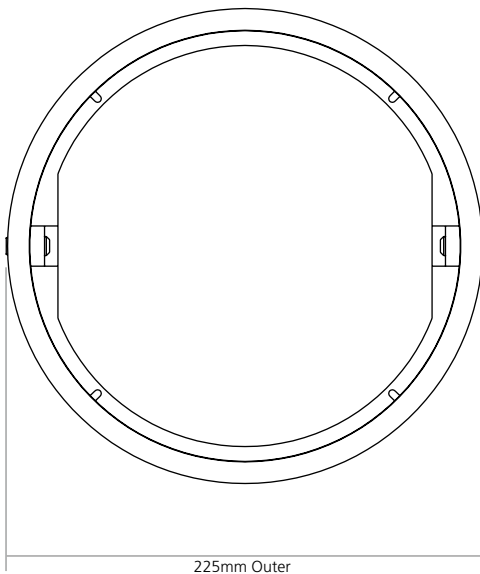
Code	Description
PPHC265G/RCD/A	150mm Height Power Hive with 1x RCD Socket for On-site Wiring
CH6139298	PPHC265G/RCD/A Wired with a 3m 32A Unfused Standard Earth Tap-off
CH2698585	PPHC265G/RCD/A Wired with a 5m 32A Unfused Standard Earth Tap-off

## Cable Hive (210mm Cut Out)

The 21 Series cable Hive is suitable for raised floor applications. The 21 Series cable Hive are designed for use in commercial environments and provide an efficient fast-fit on site installation and ease of access to power and data services that are contained within or pass through a raised floor.

### Features include:

- Push down, tool free fixing mechanism.
- Grey RAL7031 lid and trim V0 rated PC/ABS.
- Integral carpet gripper spikes pre-fitted to the trim.
- Split lid with soft foam inserts.
- Self-closing lifting handles.
- Low profile surround.
- Can accommodate multiple metal conduits (see table).
- Recommended for installation in light traffic areas.



Code	Description
PPGC211G	40mm Height Large Cable Hive

### Maximum number of conduits when lid is in place.

- 16x 16mm Conduit
- 9x 20mm Conduit
- 5x 25mm Conduit
- 3x 32mm Conduit

## Power Hive (210mm Cut Out)

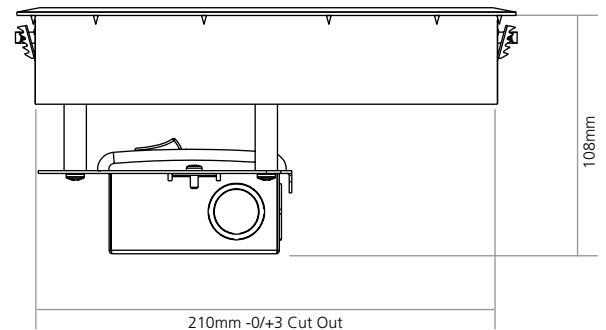
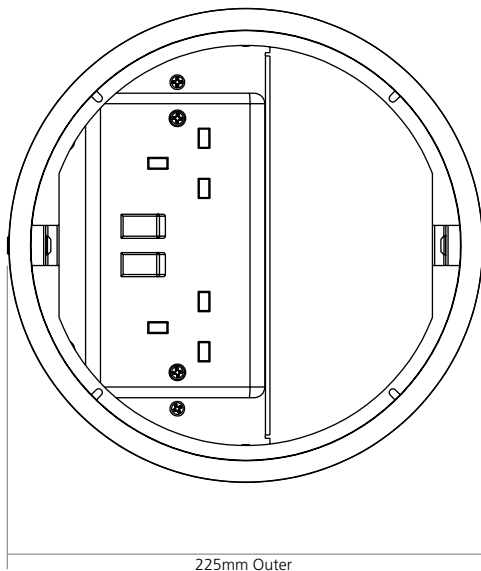
The 21 Series power Hive is suitable for raised floor applications. The 21 Series power Hives are designed for use in commercial environments and provide an efficient fast-fit on site installation.

### Features include:

- Push down, tool free fixing mechanism.
- Grey RAL7031 lid and trim VO rated PC/ABS.
- Integral carpet gripper spikes pre-fitted to the trim.
- Split lid with soft foam inserts.
- Self-closing lifting handles.
- Low profile surround.
- Can be pre-fitted with a Betatrak Tap-off unit.
- Recommended for installation in light traffic areas.



Note: All Standard Earth power plates are finished in textured matt grey paint (RAL7004).



Code	Description
PPGC212G	108mm Height Large Power Cable Hive with Twin 13A Switched Socket



## RCD Protected Power Hive (210mm Cut Out)

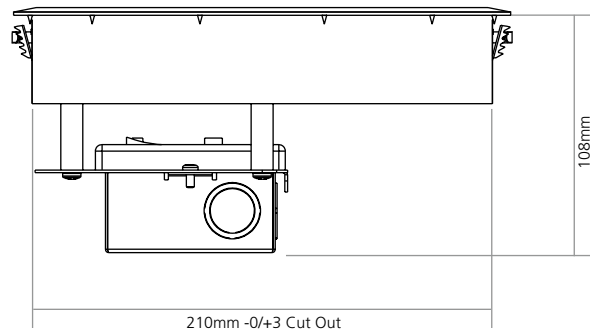
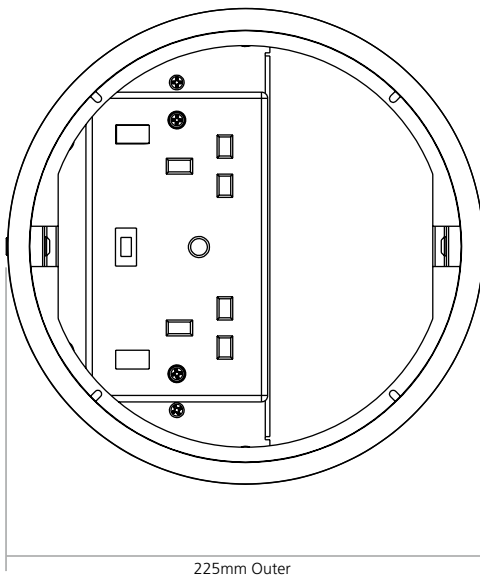
The 21 Series RCD protected power Hive is suitable for raised floor applications. The 21 Series RCD protected power Hives are designed for use in commercial environments and provide an efficient fast-fit on site installation.

### Features include:

- Push down, tool free fixing mechanism.
- Grey RAL7031 lid and trim V0 rated PC/ABS.
- Integral carpet gripper spikes pre-fitted to the trim.
- Split lid with soft foam inserts.
- Self-closing lifting handles.
- Low profile surround.
- Can be pre-fitted with a Betatrak Tap-off unit.
- Recommended for installation in light traffic areas.



Note: All Standard Earth power plates are finished in textured matt grey paint (RAL7004).



Code	Description
PPGC212G/RCD	108mm Height Large Power Cable Hive with Twin 13A Switched RCD Socket

## Data Cable Hive (210mm Cut Out)

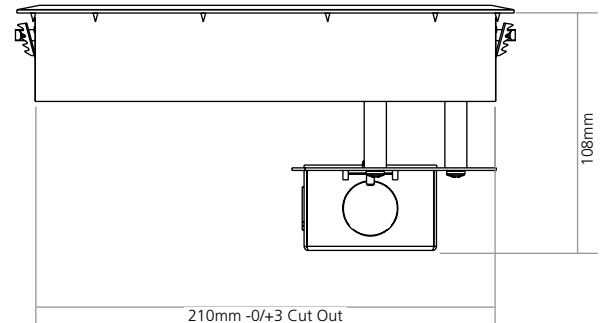
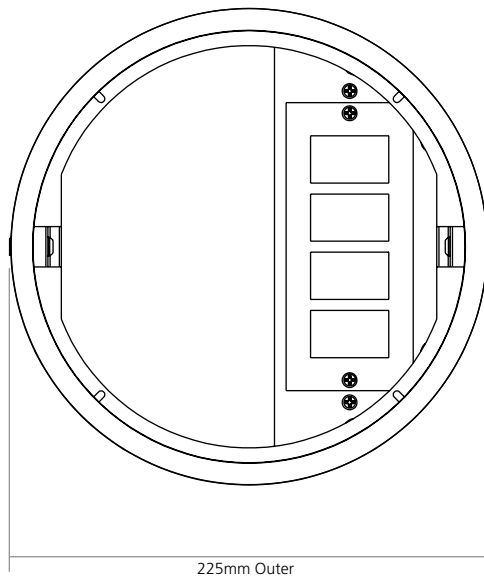
The 21 Series Data Cable Hive is suitable for raised floor applications. The 21 Series Data Cable Hives are designed for use in commercial environments and provide an efficient fast-fit on site installation.

### Features include:

- Screw operated fixing clamps.
- Grey RAL7031 lid and trim V0 rated PC/ABS.
- Integral carpet gripper spikes pre-fitted to the trim.
- Self-closing lifting handle.
- Low profile surround.
- Can be pre-fitted with a Betatrak Tap-off unit.
- Recommended for installation in light traffic areas.



Note: All Standard Earth power plates are finished in textured matt grey paint (RAL7004).



Code	Description
PPGC214G	108mm Height Large Data Cable Hive with 4x RJ45 Cut Outs

## Power and Data Cable Hive (210mm Cut Out)

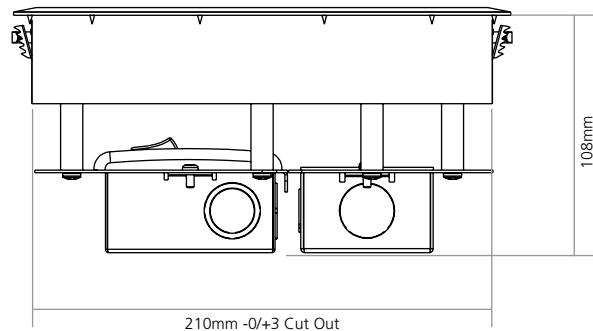
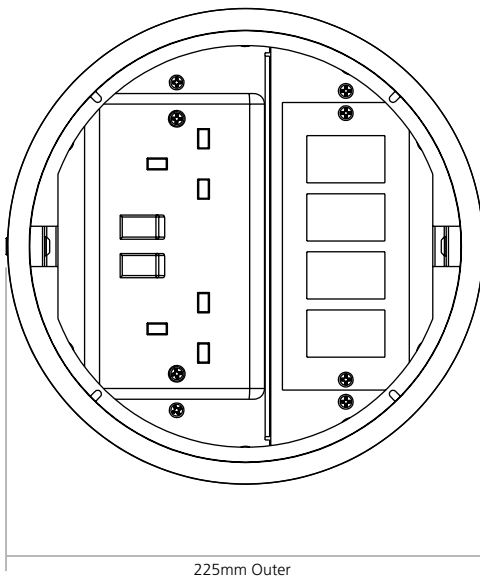
The 21 Series Power and Data Cable Hive is suitable for raised floor applications. The 21 Series Power and Data Cable Hives are designed for use in commercial environments and provide an efficient fast-fit on site installation.

### Features include:

- Screw operated fixing clamps.
- Grey RAL7031 lid and trim V0 rated PC/ABS.
- Integral carpet gripper spikes pre-fitted to the trim.
- Self-closing lifting handle.
- Low profile surround.
- Can be pre-fitted with a Betatrak Tap-off unit.
- Recommended for installation in light traffic areas.



Note: All Standard Earth power plates are finished in textured matt grey paint (RAL7004).



Code	Description
PPGC215G	108mm Height Large Power/Data Cable Hive with Twin 13A Switched Socket and 4x RJ45 Cut Outs

## RCD Protected Power and Data Cable Hive (210mm Cut Out)

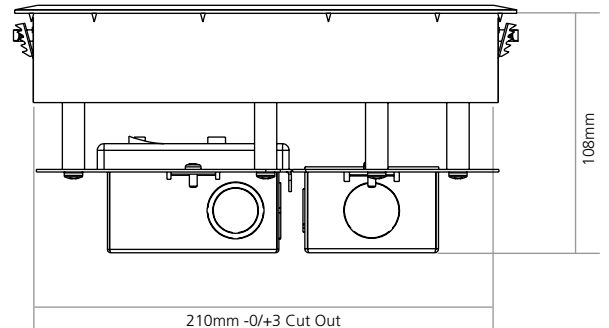
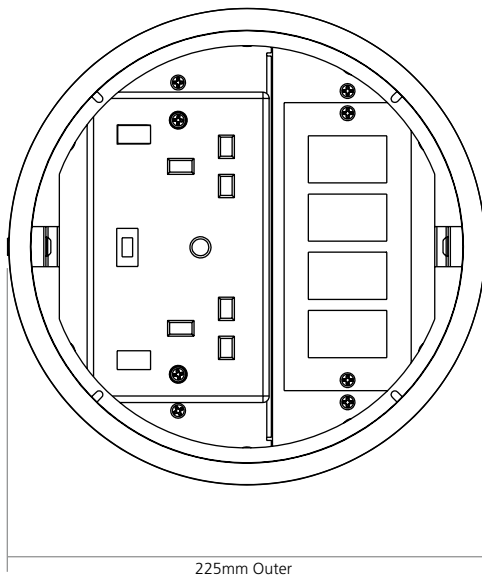
The 21 Series RCD Protected Power and Data Cable Hive is suitable for raised floor applications. The 21 Series RCD Protected Power and Data Cable Hives are designed for use in commercial environments and provide an efficient fast-fit on site installation.

### Features include:

- Screw operated fixing clamps.
- Grey RAL7031 lid and trim V0 rated PC/ABS.
- Integral carpet gripper spikes pre-fitted to the trim.
- Self-closing lifting handle.
- Low profile surround.
- Can be pre-fitted with a Betatrak Tap-off unit.
- Recommended for installation in light traffic areas.



Note: All Standard Earth power plates are finished in textured matt grey paint (RAL7004).



Code	Description
PPGC215G/RCD	108mm Height Large Power/Data Cable Hive with Twin 13A Switched RCD Socket and 4x RJ45 Cut Outs