



DATASHEET

# Miro

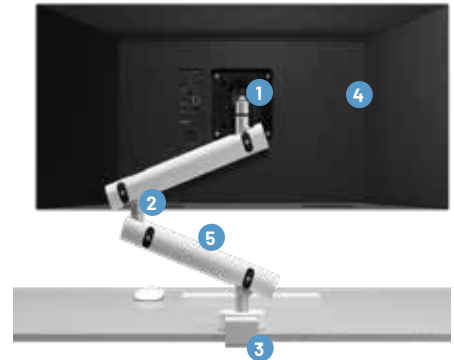
Mixo introduces  
**mixology22**  
**winner**



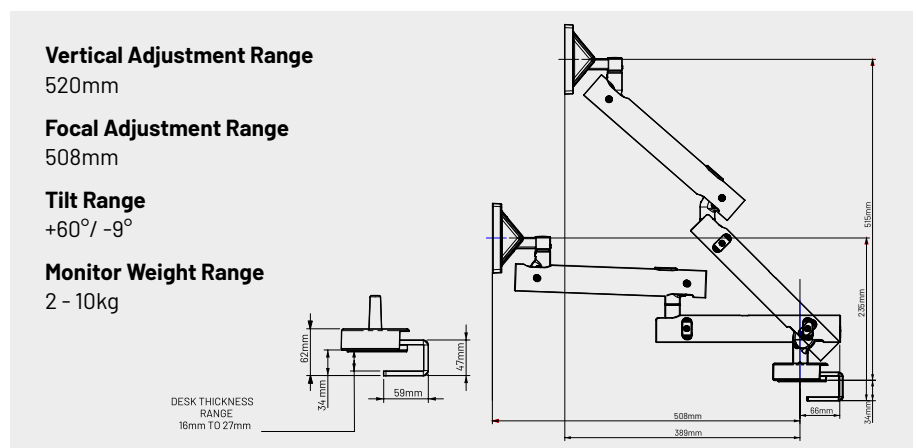
Miro is a dynamic monitor arm that allows vertical movement of the monitor. Synchronised movement of the lower and upper arm allows the monitor to be raised or lowered simply and easily without any need for sideways or forward motion. Available in black or white, with integral cable management and a top fixing C-clamp.

### KEY FEATURES

- 1 Innovative head design ensures vertical movement - VESA compliant
- 2 Integrated cable management
- 3 Top fixing c-clamp
- 4 Support monitors weighing between 2kgs and 10 kgs - perfect for ultra-wide monitors
- 5 Weight gauge visual indicator for effortless Multi-arm installs



### DETAILS AND DIMENSIONS



### SUSTAINABILITY

Miro is the only monitor arm of its class that's sourced and manufactured from the heart of the UK - ensuring its carbon footprint is as small as its desk footprint. Built to last using 100% recyclable materials, with a 15 year + lifetime warranty. Miro's hollow tube design ensures excess material is kept to a minimum. Zinc castings during manufacture require far less energy than standard material. At end-of-life all components can be easily separated using standard tools for simple recycling. Product and packaging contains no single-use plastics.

### ORDERING



Part Number	Colour	Min	Max	Reach	Vertical	Attachments
67M002	●	2kg	10kg	508mm	520mm	Monitor
67M003	○	2kg	10kg	508mm	520mm	Monitor