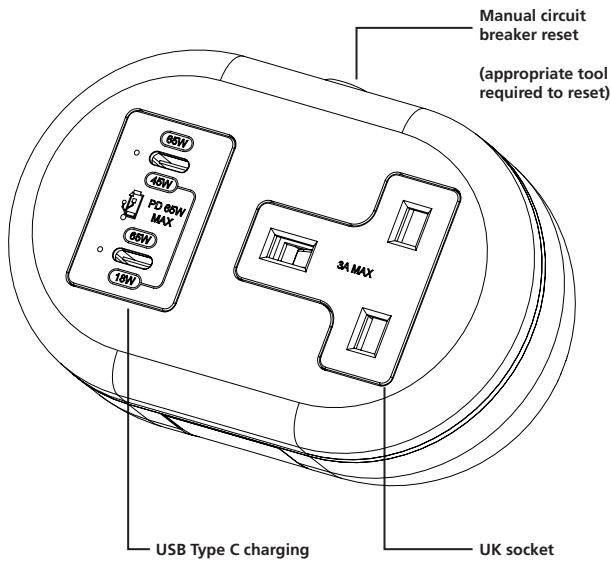
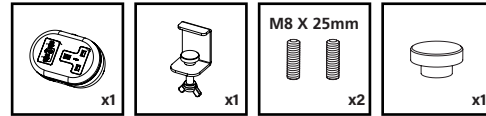
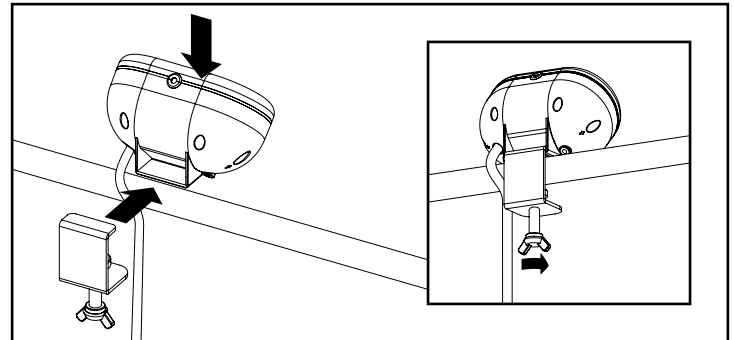


### Contents



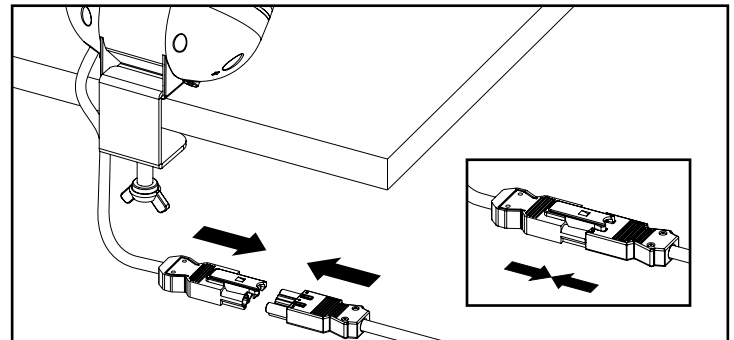
### Mounting to a desk



Locate Caplet on the edge of the desk. Offer up the clamp to the rear of Caplet and align to the desk edge. With Caplet held between the clamp and the desk, fully tighten the thumb screw to secure in place.

### Connecting to power

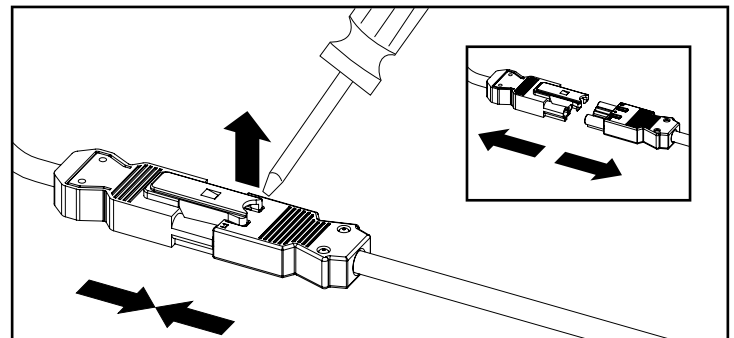
#### Connecting standard 3-pole connector



Plug the male 3-pole connector into a female connector. Ensure the attached locking mechanism clicks into place on both connectors.

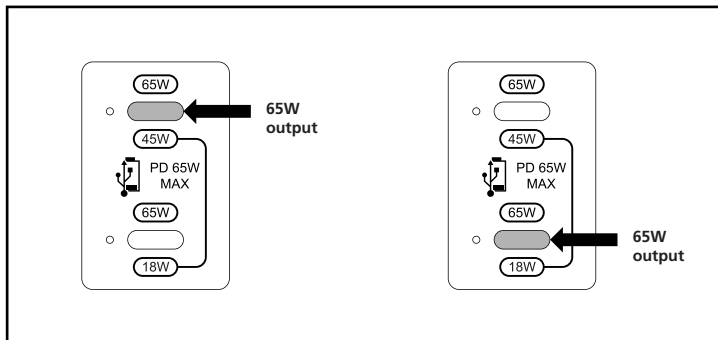
#### Disconnecting from power

##### Disconnecting standard 3-pole connector

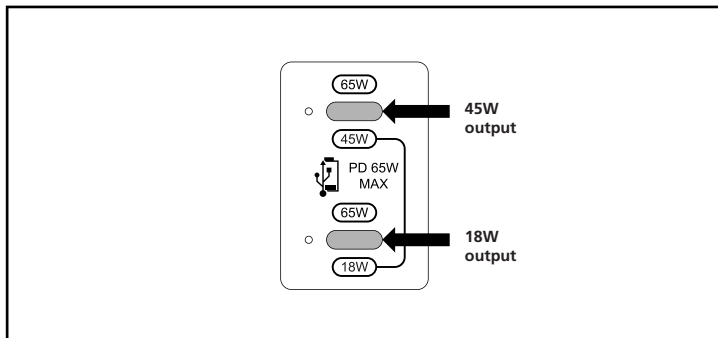


Use an appropriate tool to release the locking mechanism. Carefully pull and separate the male and female connectors.

### USB charging

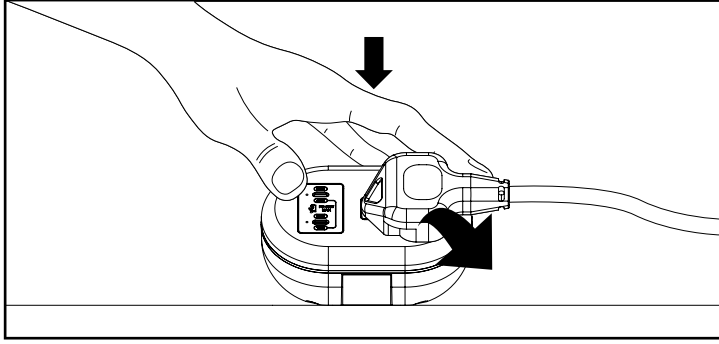


When used in isolation, the top and bottom USB ports deliver a maximum output of 65W.



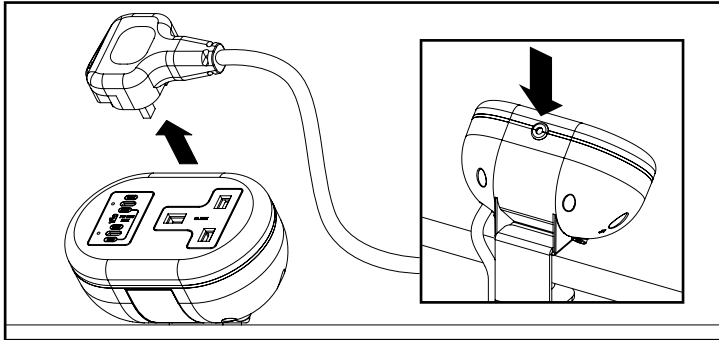
When both ports are used simultaneously, the top USB port has an output of 45W and the bottom port an output of 18W.

## Inserting and removing plugs



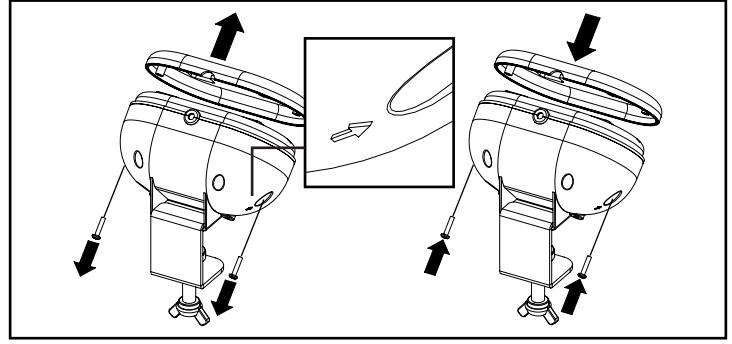
When inserting/removing plugs, take care to support the module where possible.

## Resetting the circuit breaker



Remove any connected plugs and charging cables. Then press and hold the red circuit breaker with an appropriate tool.

## Replacing the fascia



Use a PZ1 screwdriver to remove the 2x fixing screws marked with an arrow on the Caplet body. Remove and replace the fascia. Ensure the fascia is seated correctly on the Caplet. Use the 2x fixing screws to secure the new fascia in place.

## Additional information

### Safety

- Incorrect use could lead to risk of electrocution.
- Connectors must not be engaged or disengaged when under load or live.
- Product to be used only for the intended purpose of distributing power in office and commercial environments.
- Installation is to be carried out in accordance with relevant Health & Safety regulations and only to be carried out by a skilled or competent person.
- The installation should be installed to comply with the relevant national standards and be inspected and tested prior to being put into service (in the UK BS 7671 Wiring Regulations or BS 6396 Office and Educational Systems Best Practice).
- Isolate the supply before installation or repositioning. Any locking mechanisms must be used and fully engaged.
- Do not misuse, dismantle or re-configure the product because doing so will invalidate the warranty.
- If a product incorporates RCD protection, the RCD should be regularly tested in-line with current standards.

### Standards

- Refer to the Declaration of Conformity.

### Further guidance

- Should the supply cable need replacing, contact CMD.

### Product care

- Clean using a dry cloth. No abrasives or solvents to be used on the product.
- Do not drop or expose to moisture.

