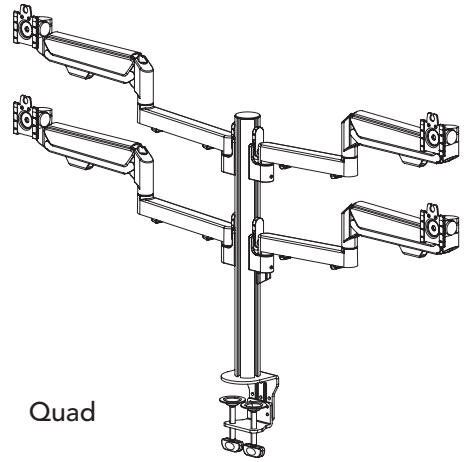


Triple

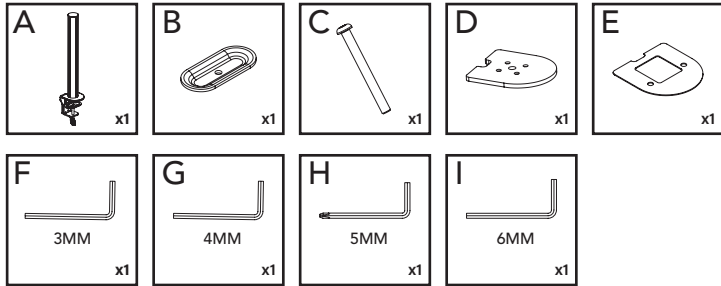


Quad

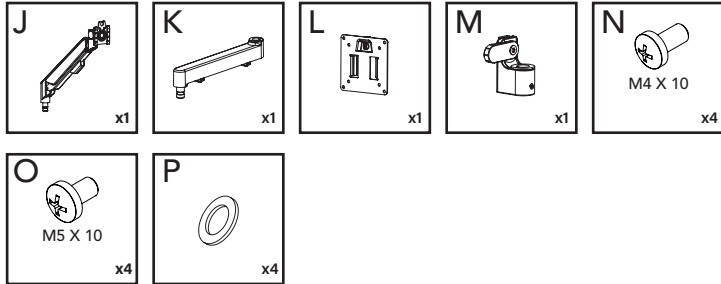
The triple and quad Arbour arm uses a 600mm pole.

Contents

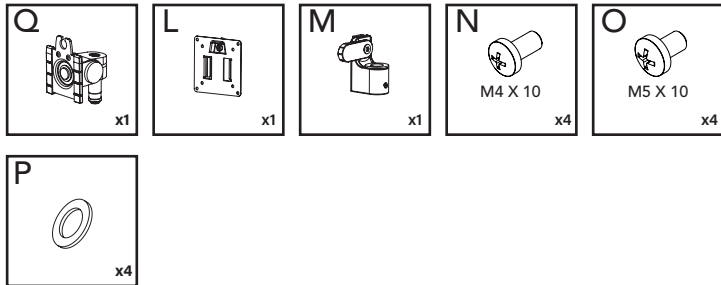
68A003/68A004



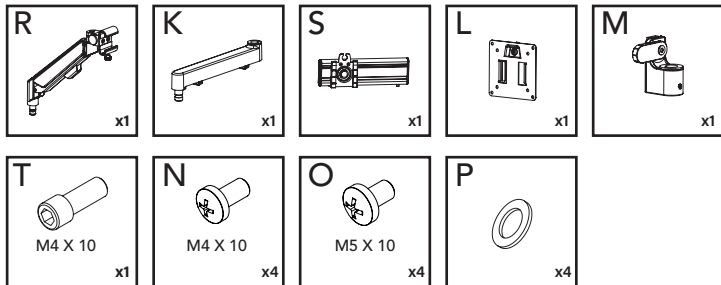
68A005/68A006



68A007/68A008



68A009/68A010



Max Size
32"



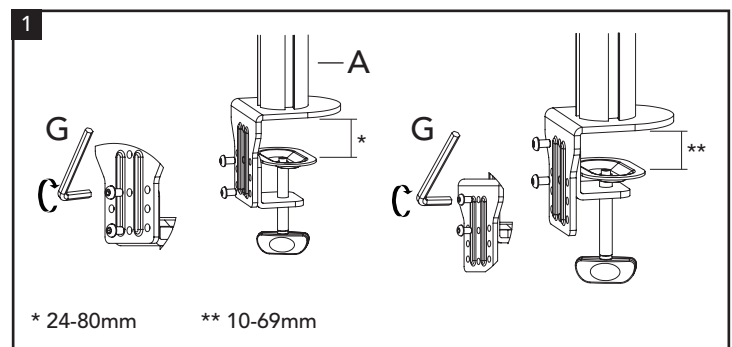
Load Capacity
2-9kg



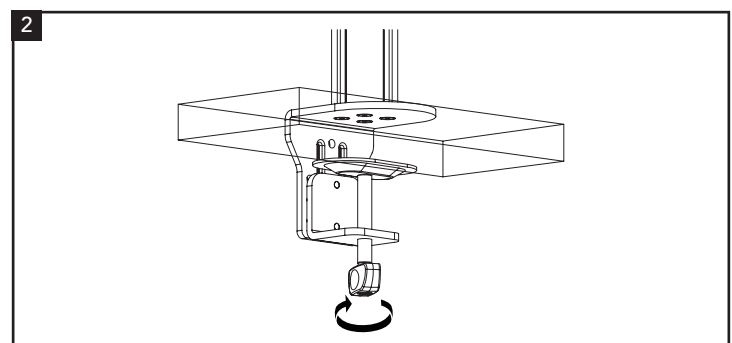
VESA
100x100 & 75x75mm

Read the entire installation guide before you start the installation and assembly. If you have any questions regarding any of the instructions or warnings, please contact CMD.

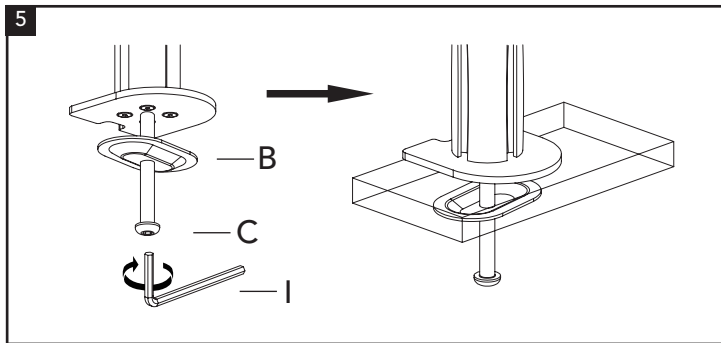
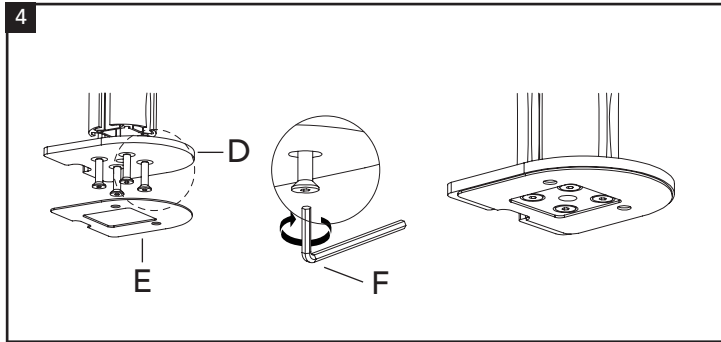
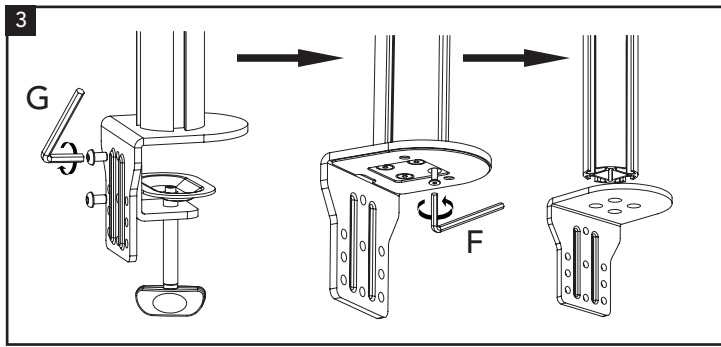
Adjusting the split clamp to suit the worksurface



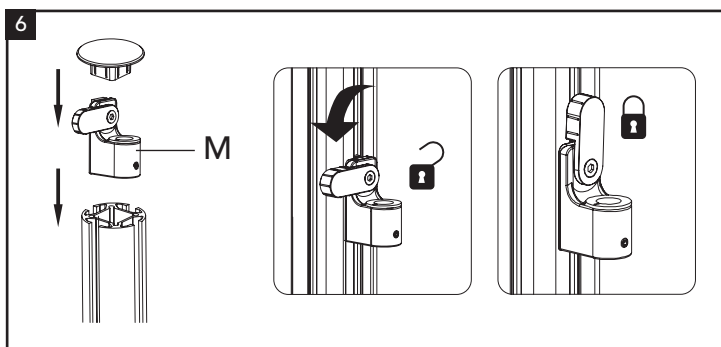
Mounting the pole with split clamp



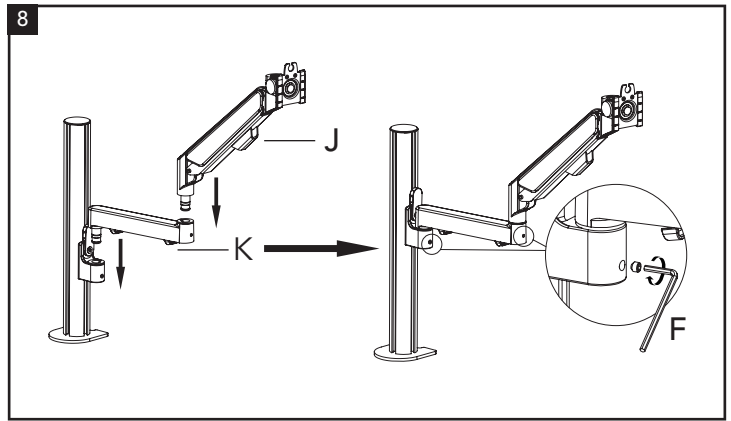
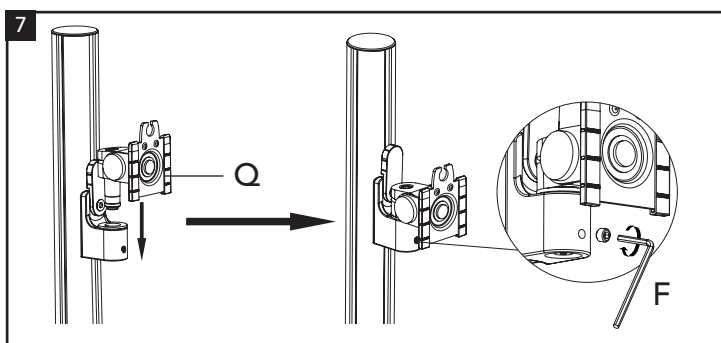
Through the worksurface mounting option



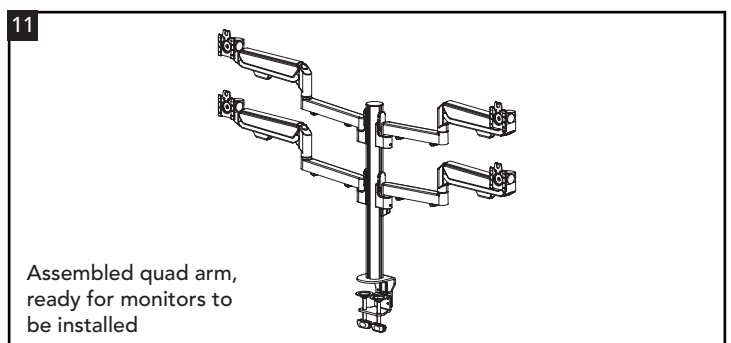
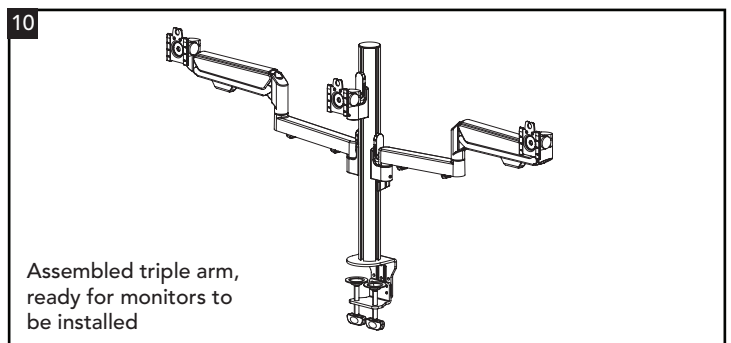
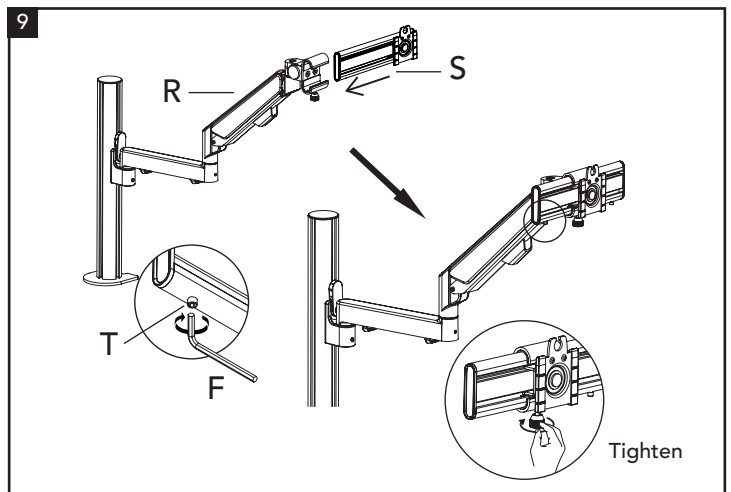
Installing the arm



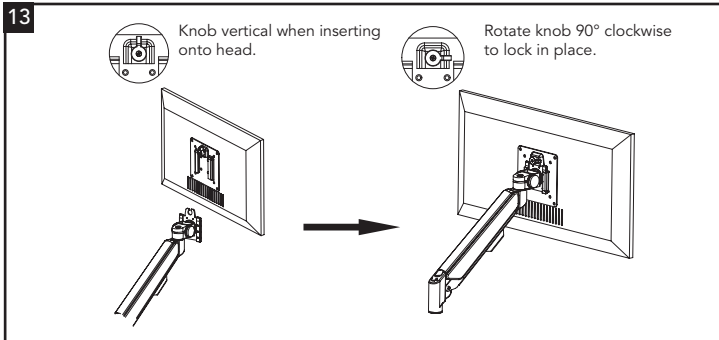
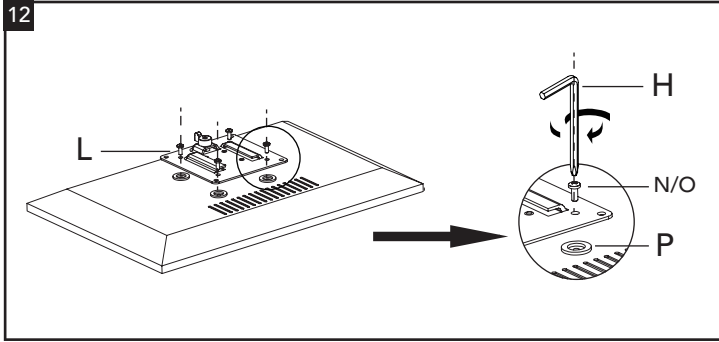
Installing a single head (for Arbour triple assembly)



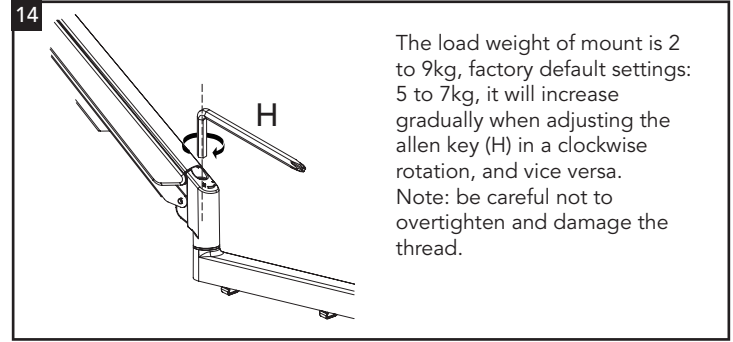
Installing the slider (supplied with 68A009 & 68A010 only)



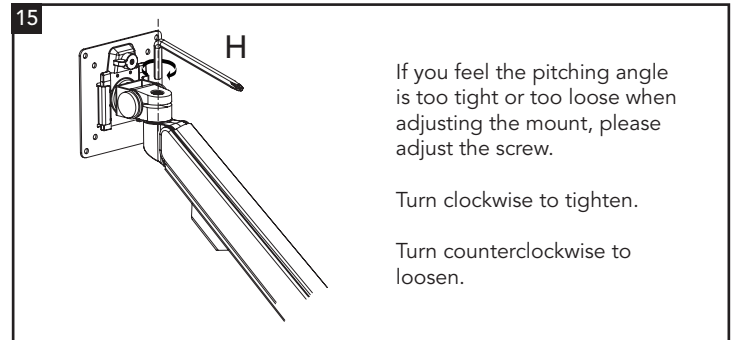
Installing the VESA plate



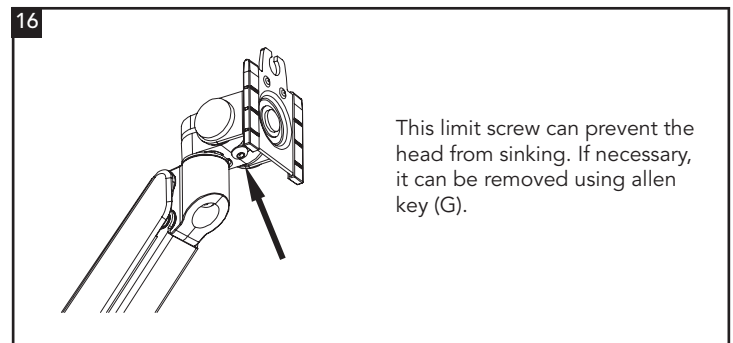
Further adjustment - arm tension



Further adjustment - head pitch



Further adjustment - head limit screw



Additional information

Safety

- Fix the clamp of the monitor arm to a suitable solid worksurface that is capable of supporting the arm, its maximum specified load and necessary equipment.
- Product to be used only for the intended purpose of supporting certain display equipment in an office environment.
- Installation is to be carried out in accordance with relevant Health & Safety regulations and only to be carried out by a skilled or competent person.
- Use the mounting screws provided and do not overtighten.
- This product is intended for indoor use only.
- Do not misuse, dismantle or re-configure the product because doing so will invalidate the warranty.
- Check that the clamp is secure and safe to use at regular intervals (at least once every 3 months).
- Using products heavier than the rated weights indicated may result in instability, causing possible injury.

Standards

- Refer to the Declaration of Conformity.

Product care

- Clean using a dry cloth. No abrasives or solvents to be used on the product.

