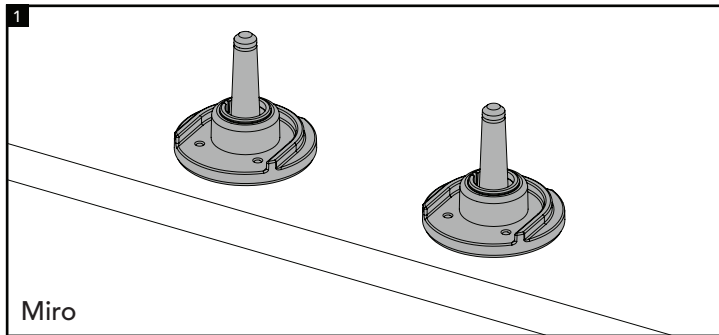
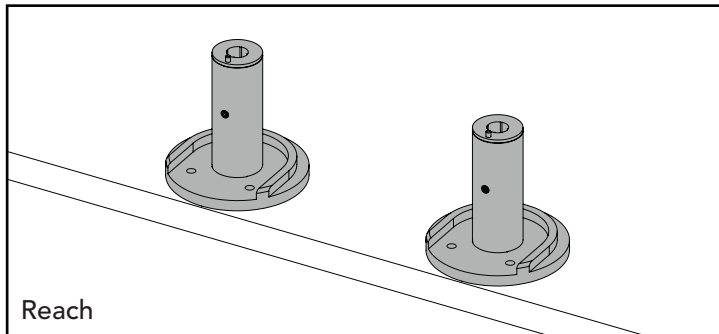


The Dual Clamp Cover can be used with the Miro and Reach monitor arms. This guide shows the installation with the Miro monitor arm clamps but is also applicable to the Reach monitor arm clamps.

Position the base spigots (for either Miro or Reach arms)

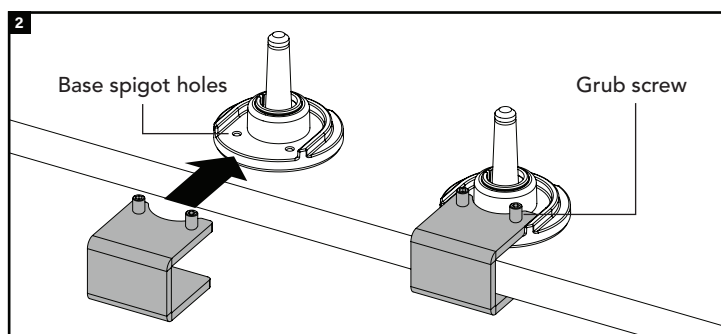


Position 2x Miro base spigots near the edge of the intended worksurface. Note the 2x holes face the edge of the worksurface. Space them roughly 160mm apart.



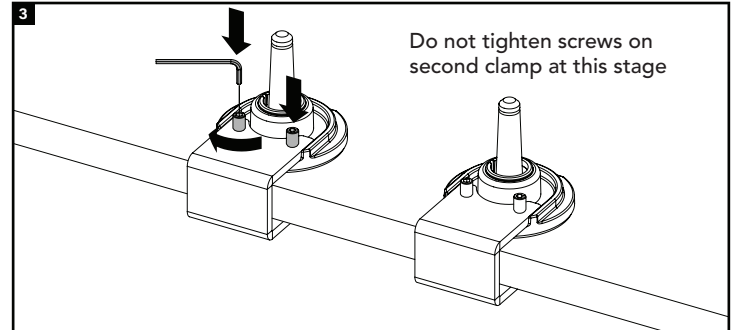
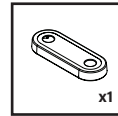
Position 2x Reach base spigots near the edge of the intended worksurface. Note the 2x holes face the edge of the worksurface. Space them roughly 160mm apart.

Installing the clamps

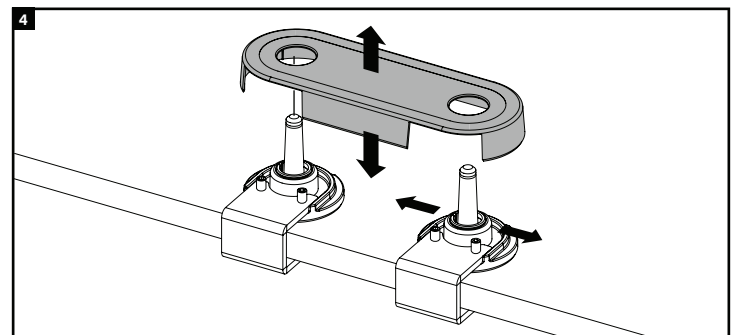


Locate 2x C-clamps onto the base spigots. The C-clamps should be pushed up to make contact with the edge of the worksurface and the grub screws should align with the holes on the base spigots.

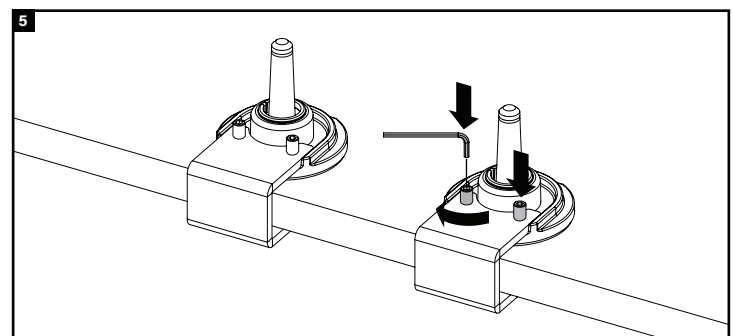
Contents



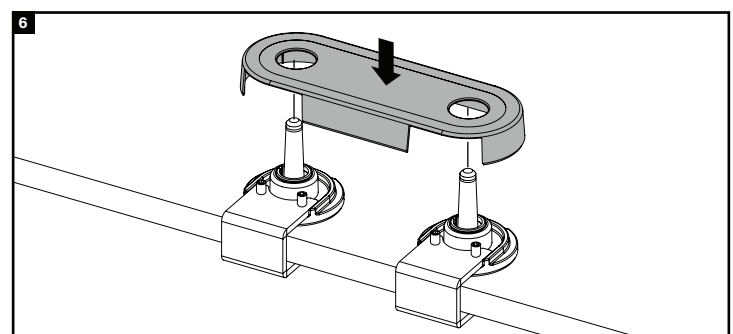
With the clamp assemblies in the approximate desired position, fully tighten the grub screws on **just one** of the clamps with an Allen key as shown.



With one of the clamps now fixed in place, take the Dual Clamp Cover and use it as a guide to align the second clamp assembly by lowering it onto the base spigots as shown. Once aligned, place the cover to one side.

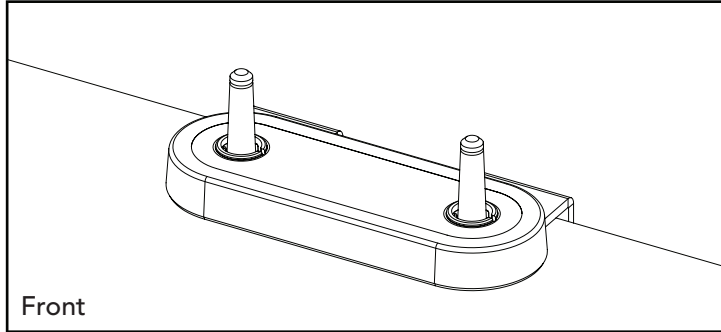
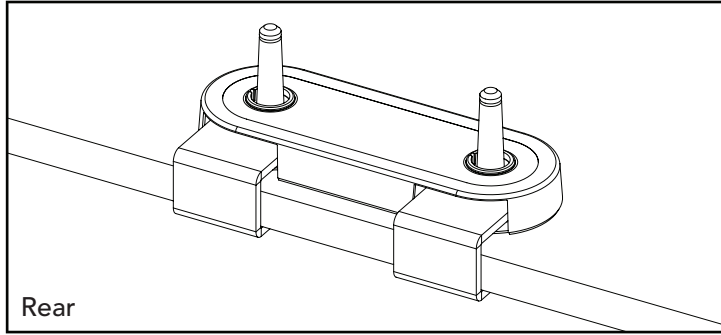


With the second clamp assembly in its final position, fully tighten the 2x grub screw fixings to secure it in place.



Finally, lower the Dual Clamp Cover over the clamp assemblies as shown. The recesses in the back of the cover sit over the C-clamps. The base of the cover should sit on the worksurface.

Finished Miro clamp and cover installation

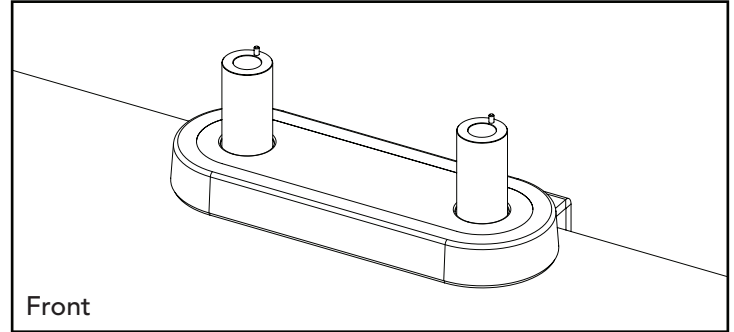
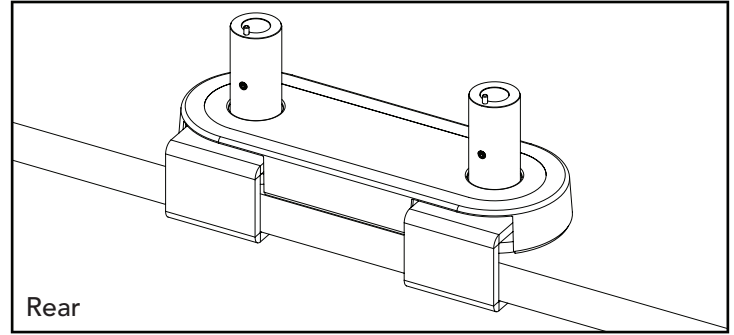


The installation of the Dual Clamp Cover with Miro clamps is now complete and ready to accept the installation of the Miro monitor arms. Scan the QR code below to see a copy of the Miro monitor arm installation guide if necessary.



Miro

Finished Reach clamp and cover installation



The installation of the Dual Clamp Cover with Reach clamps is now complete and ready to accept the installation of the Reach monitor arms. Scan the QR code below to see a copy of the Reach monitor arm installation guide if necessary.



Reach

Additional information

Safety

- Fix the clamp of the monitor arm to a suitable solid worksurface that is capable of supporting the arm and its maximum specified load.
- Product to be used only for the intended purpose of supporting certain display equipment in an office environment.
- Installation is to be carried out in accordance with relevant Health & Safety regulations and only to be carried out by a skilled or competent person.
- The installation should be installed to comply with the relevant national standards and be inspected and tested prior to being put into service (in the UK BS 7671 Wiring Regulations or BS 6396 Office and Educational Systems Best Practice).
- Do not misuse, dismantle or re-configure the product because doing so will invalidate the warranty.

Standards

- Refer to the Declaration of Conformity.

Product care

- Clean using a dry cloth. No abrasives or solvents to be used on the product.

