



Caplet

Workplace Power



5 Year
Warranty



100%
Recyclable



DESCRIPTION

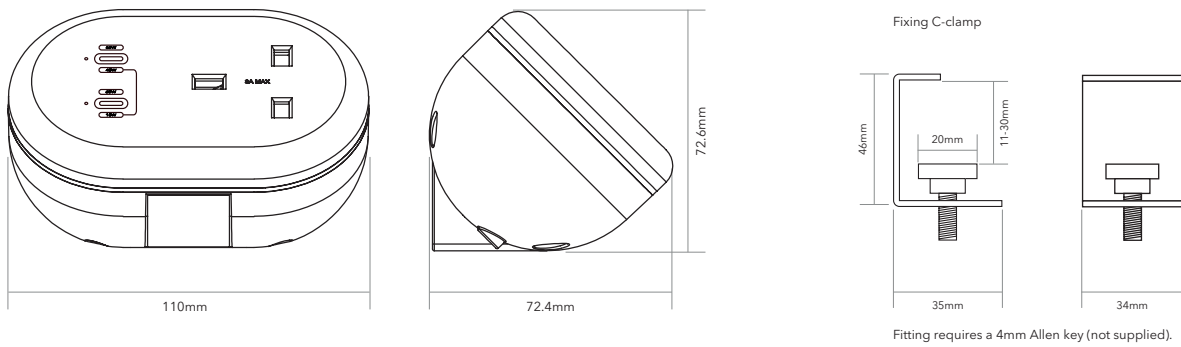
A fixed format on-desk power module offering 1x UK sockets with resettable 3A resettable thermal circuit breaker and a dual port USB adaptive fast charger for charging laptops, tablets and smart phones. Caplet is equipped with Smart PPS Fast Charging for maximum performance.

KEY FEATURES

1. 1x UK socket with 3A resettable thermal circuit breaker
2. Twin PD 65W USB Type C adaptive fast charger with LED indicators that illuminate when in use
3. Fitted with 1.5m cable to 3-pole GST male connector (starter lead sold separately)
4. Supplied with c-clamp fixing to fit desk thicknesses between 11mm and 30mm
5. Available in black and white



DIMENSIONS

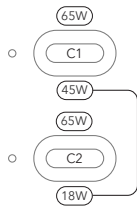


USB CHARGING PROTOCOLS

Caplet 'handshakes' with the device to provide safe and efficient charging. The dual port Type C USB charging ports are designed to adapt to the way they are used, offering maximum power output when used alone, whilst sharing the available power when used together. They are equipped with Smart PPS Fast Charging for maximum performance.

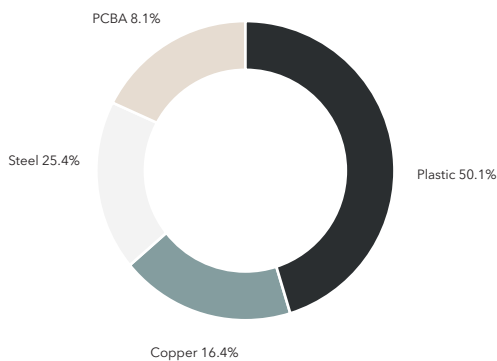
65W TYPE C&C USB

Usage Scenario	USB-C (#1) Output	USB-C (#2) Output	Max Output
USB-C (1) Alone	65W	-	65W
USB-C (2) Alone	-	65W	65W
USB-C (1 + 2) Together	45W	18W	65W



- Port C1: PD3.0 (with PPS); QC3.0; Apple2.4A; Samsung AFC; HUAWEI FCP; BC1.2; DCP 1.5A
- Port C2: PD3.0 (with PPS); QC3.0; Apple2.4A; Samsung AFC; HUAWEI FCP; BC1.2; DCP 1.5A

MATERIAL COMPOSITION



ORDERING



Part Number	Description	Cable	Colour
76J0030	1x Power and 1x Dual Port Type C USB Charger, 1x 3A Resettable Thermal Circuit Breaker	1.5m	●
76J0031	1x and 1x Dual Port Type C USB Charger, 1x Resettable Thermal Circuit Breaker	1.5m	○



Website